

independent

living solutions

Multi-User Washrooms | Access Solutions | Equality Act Compliant Solutions | Multi-User Kitchens
Grab Rails | Daily Living Products | Accessible Showering | Wetrooms | Wall and Floor Solutions

The Nicholls & Clarke Group is a business dedicated to the manufacture and supply of the finest building materials. Founded in 1875 in London, we have grown from servicing the capitals' building trades to becoming the largest privately owned national manufacturer and distributor of fine quality building products.

Quality manufacturing is at the core of our business and comes as standard. We own state of the art manufacturing facilities based across the UK and Central Europe. This gives us the broadest manufacturing capability available, allowing us to offer an extensive portfolio of product, more specialised than that of any of our competitors.

Our distribution network is supported with our private fleet of over 110 commercial vehicles. This gives us full logistical control from the point of manufacture through to delivery to site. We offer a nationwide delivery service, be that to site, home or commercial address. The vast majority of our deliveries are made on a next day basis.





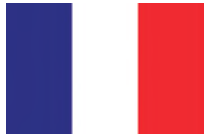
Founded in 1875 as manufacturers and suppliers of building products, N&C Phlexicare has a longstanding pedigree with over 45 years of experience as the major inventor and innovator in the healthcare industry. We are proud to introduce the latest edition of the Phlexicare catalogue.

Inclusive design sits at the very core of our company philosophy. We believe that our products offer the end user and specifier unrivalled choice and a practical, attractive solution that is inclusive in every sense. Our British and European factories design and manufacture to the highest of standards using only the finest materials.

Recycled materials are used in much of our manufacturing which is combined with the latest energy efficient manufacturing processes. We are constantly engaged in research and development and continue to liaise with disability organisations to ensure that the products and systems in this catalogue deliver an attractive, barrier free, accessible environment for use by us all.

Nicholls & Clarke

— Est 1875 —



Establecida en 1875 como fabricante y proveedora de productos para la construcción, con más de cuarenta años de experiencia como la más importante inventora e innovadora del sector de la asistencia médica, N&C Phlexicare se siente orgullosa de presentar la más reciente edición del catálogo Phlexicare.

El diseño inclusivo es una parte esencial de la filosofía de nuestra empresa. Creemos que nuestros productos ofrecen al usuario final y a quien haya solicitado su fabricación un número de opciones incomparable y una solución práctica y atractiva que es inclusiva en todos los sentidos.

Nuestras fábricas británicas diseñan y fabrican conforme a las más altas normas y utilizan sólo los mejores materiales. En gran parte de nuestra fabricación se utilizan materias recicladas y ello se combina con los más recientes procesos de fabricación, de alto ahorro de energía.

Llevamos a cabo continuas actividades de investigación y desarrollo y nos mantenemos en contacto con entidades dedicadas a asuntos de minusvalía, a fin de asegurarnos de que los productos y sistemas de este catálogo creen un entorno que sea atractivo, exento de obstáculos y accesible para todo el mundo.



Establecida en 1875 como fabricante y proveedora de productos para la construcción, con más de cuarenta años de experiencia como la más importante inventora e innovadora del sector de la asistencia médica, N&C Phlexicare se siente orgullosa de presentar la más reciente edición del catálogo Phlexicare.

El diseño inclusivo es una parte esencial de la filosofía de nuestra empresa. Creemos que nuestros productos ofrecen al usuario final y a quien haya solicitado su fabricación un número de opciones incomparable y una solución práctica y atractiva que es inclusiva en todos los sentidos.

Nuestras fábricas británicas diseñan y fabrican conforme a las más altas normas y utilizan sólo los mejores materiales. En gran parte de nuestra fabricación se utilizan materias recicladas y ello se combina con los más recientes procesos de fabricación, de alto ahorro de energía.

Llevamos a cabo continuas actividades de investigación y desarrollo y nos mantenemos en contacto con entidades dedicadas a asuntos de minusvalía, a fin de asegurarnos de que los productos y sistemas de este catálogo creen un entorno que sea atractivo, exento de obstáculos y accesible para todo el mundo.



تأسست عام 1875 كشركة مصنعة وموردة لمنتجات البناء، وتتمتع بخبرة 40 عام كشركة مخترعة ومبتكرة في عالم الرعاية الصحية. " أن انا سي فلنكسكير " (N&C Phlexicare) تتفخر بتقديم أحدث نسخة من كاتالوج الماكسكير .

يقع التصميم الشامل في صميم جوهر فلسفة شركتنا. نحن نؤمن أن منتجاتنا تقدم للمستخدم الفعلي ومن يطلبها بالتحديد خياراً لا يضاهي وحلاً عملياً جذاباً وشاملاً من جميع النواحي.

مصانعنا البريطانية تصمم وتصنع وفقاً لأعلى المستويات مستخدمة أفضل المواد. تستعمل مكونات يعاد استعمالها في الكثير من منتجاتنا وتضم في تصنيعها أحدث عمليات التصنيع من ناحية توفير الطاقة.

إننا نشارك بصفة مستمرة في الأبحاث والتطوير ونستمر في التواصل مع هيئات الإعاقة للتأكد من أن المنتجات والأنظمة المبتكرة في هذا الكاتالوج تقدم بيئة جذابة خالية من العوائق ومتوفرة لكي نستعملها كلها.



N&C Phlexicare 成立於 1875 年，我們一直專注於建築產品的生產和銷售，從事過醫療保健業的研發及革新 40 多年，現隆重推出最新一期的產品目錄。

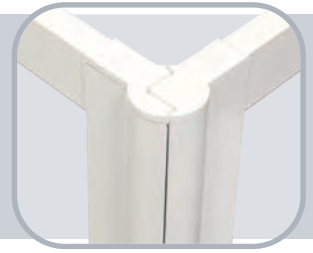
「和合設計」(inclusive design) 一直是我們公司的核心理念。我們相信，我們的產品能夠為最終使用者和建築規範專家提供既實用、美觀，又能適合各種應用的解決方案。

我們的產品品質卓越，所選用的均是最優質的原材料，而且都是在英國設計及生產。我們的生產過程大量採用再生物料，生產流程也採用了最新的節能技術及設備。

我們一直專注於產品的研發，並一直與殘疾人士組織緊密合作，確保新的產品及系統能夠為所有使用者營造一個美觀、無障礙、方便的居住環境。

Pro-door

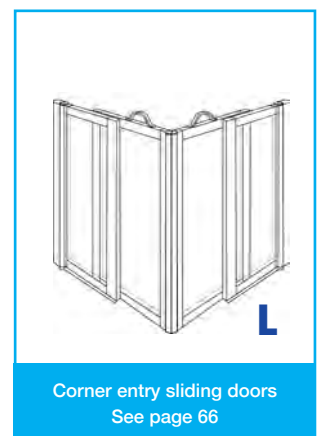
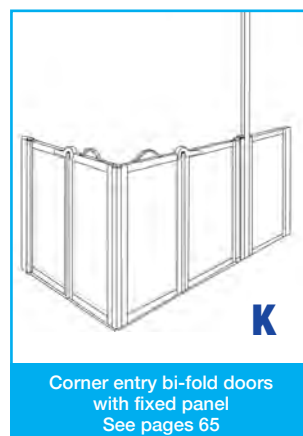
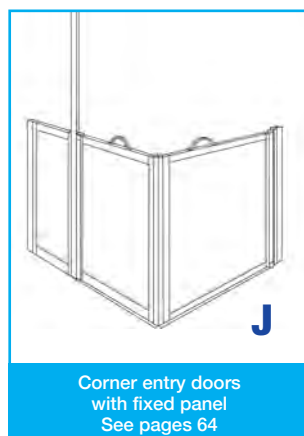
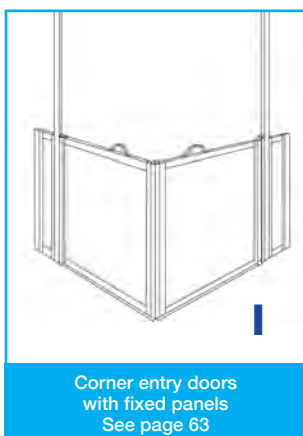
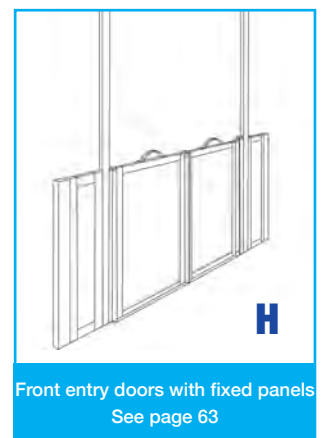
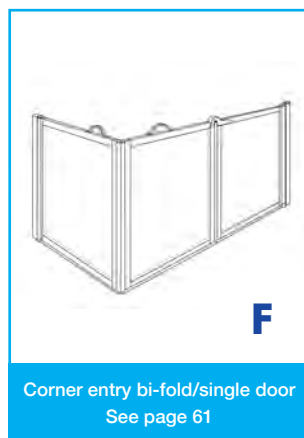
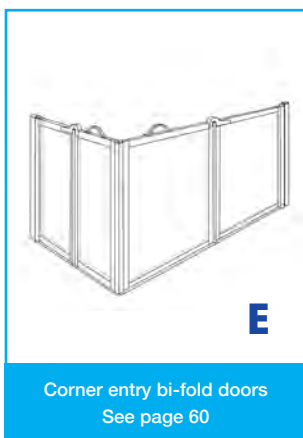
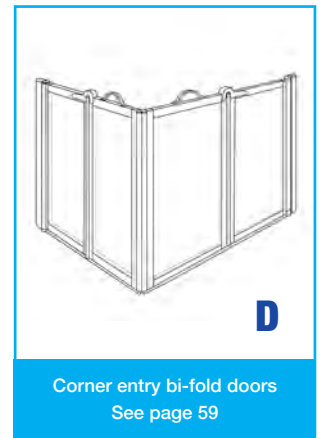
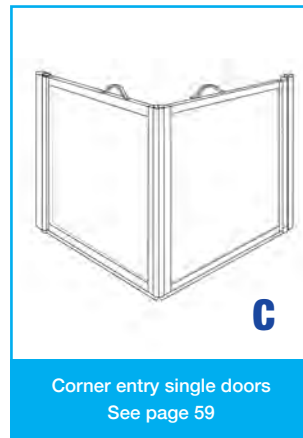
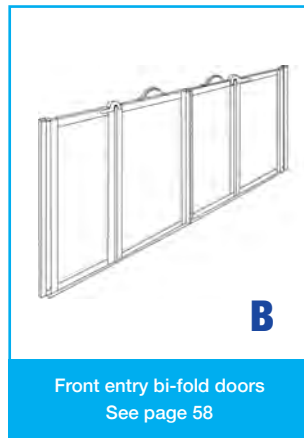
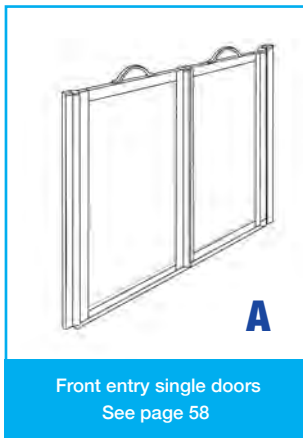
Selector Guide



Build your bathroom adaptation shower pack using our easy step by step Pro-door selector guide. Match the door style code highlighted in blue with the appropriate floor former or shower tray. Then, turn to the Pro-door section of the catalogue to find the relevant door size.

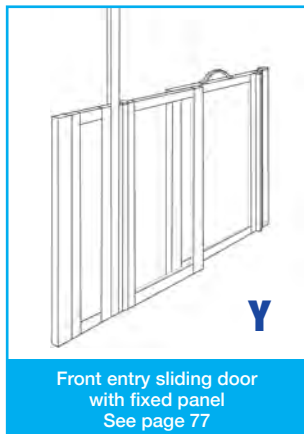
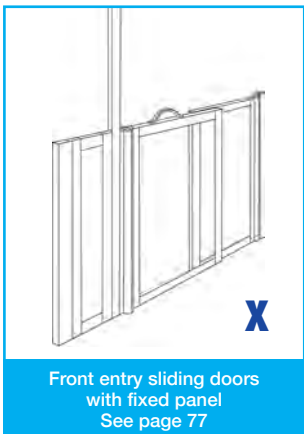
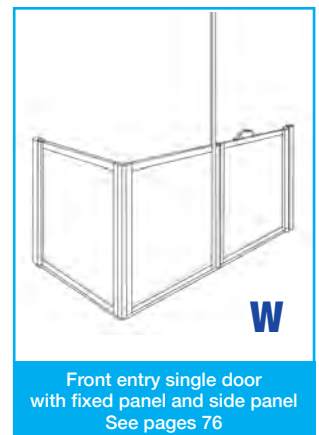
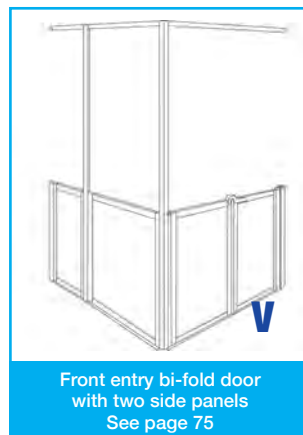
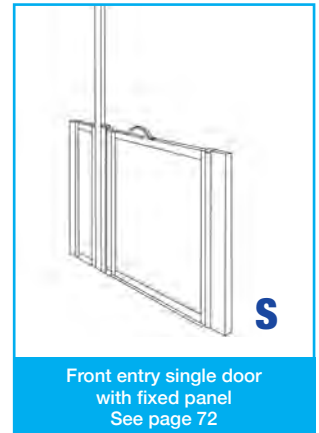
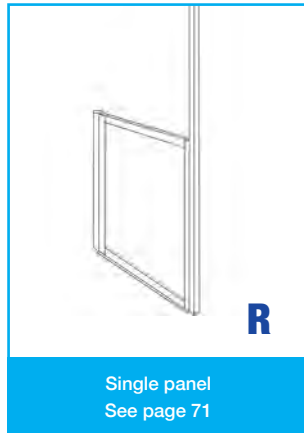
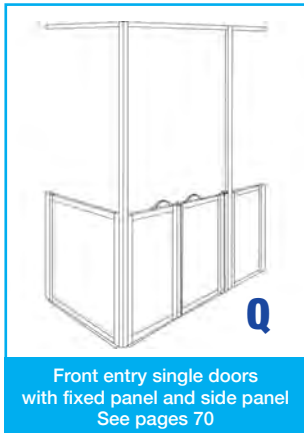
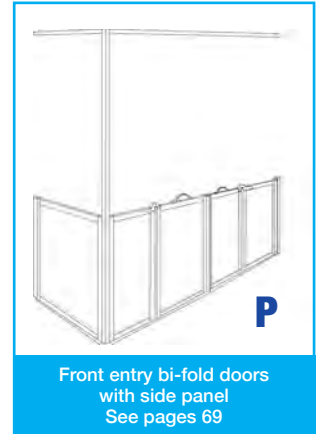
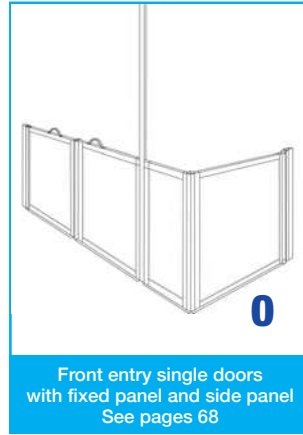
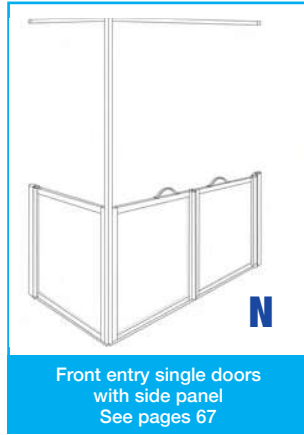
1. Open the fold out that can also be found within the rear cover.
2. Select the floor former or shower tray that you require.
3. Turn to the relevant catalogue page that details the Pro-door size options available in that door style.

Each set of Pro-doors is supplied with a pair of appropriate compensators, curtain and track.



Pro-door

Selector Guide



Independent living, **inclusive** design

N&C Phlexicare are pioneering, British manufacturers and distributors of showering, daily living, access, wall & floor and kitchen solutions within the healthcare construction market. We design, manufacture and distribute a full range of inclusive solutions with users, carers and installers in mind.

Our products are inspirational by design, functional by nature and produced using high quality materials. Our passion is to enable freedom and independence for users with different levels of abilities, within commercial or domestic environments.

N&C Phlexicare invented many of the products taken for granted today, such as the raised height W.C pan, low entry shower tray and half height shower doors. Our commitment to research and development has led to the creation of many unique products which are specified and used throughout the U.K and exported worldwide.

One of Phlexicare's key core values is 'attractive, inclusive design' claimed by many but achieved by few. To that end, we work very closely with charities and organisations such as 'Disability Rights U.K', 'The Centre for the Accessible Environment', Occupational Therapists and disabled users to ensure that our products achieve solutions for all, users and the people that care for them.



Experience

Established in 1875, Nicholls & Clarke has pedigree that has been developed over many years. Through great heritage, we have gained a depth of knowledge and invaluable experience in the manufacturing and supplying of Phlexicare products to the construction market. We have experience across many industries with a huge portfolio of products suited to all project environments.

Total Solution Providers

Part of the Nicholls & Clarke Group, we have the ability to offer the complete adaptation solution using a comprehensive range of quality products, so that you can benefit from dealing with one source, making it easier to co-ordinate project supplies. From kitchens, bathrooms, to access and wall & floor solutions, we work with you to provide the complete solution for your project.

Inventors & Innovators

N&C Phlexicare invented the raised height W.C. pan to assist with the transfer from wheelchair to toilet. We also invented half height shower doors for carers where users may require assistance. The N&C Phlexicare RADAR Key Scheme Lock is another innovation that has transformed the everyday lives and independence of millions within the UK. N&C Phlexicare continue to innovate within the industry, embracing new technology and better defining our portfolio with attractive products that perform, but where quality and functionality are crucial at its peak.

International

N&C Phlexicare products are used in over 70 countries throughout the world in some of the most demanding commercial situations. This worldwide experience has furthered the development of some of the latest technologies we now use in the U.K.

Training

We offer practical training courses at our 120,000 square foot head office facility. Our team of experts will demonstrate and give clients and customers the opportunity to get hands on with our range of products. For further information please contact your local depot or head office on 020 8586 4600 or email us at info@nichollsandclarke.com

Technical Service

Our team of Phlexicare specialists are able to offer a full technical specification service and are available to attend any site address throughout the U.K. A technical written specification is available on request. We offer CAD drawings for easier

Research & Development

Our product development team are highly equipped and constantly engaged in research and development. Investment in the latest testing facilities allow us to push forward with the development of the next new technology or raw material, that will further enhance product performance. Prior to going to market, we carry out rigorous testing to ensure that our products' performance is to a consistently high standard. Our products undergo thorough testing to meet the relevant standards and regulations. We also test our competitors products to ensure our products remain best in class.

Nationwide Delivery

N&C Phlexicare offer a market leading delivery service. We operate a fleet of 100 commercial vehicles and offer a next day shower pack delivery service. We manufacture bespoke Pro-door shower screens to order, delivering them to any address within 48 hours. Our local distribution centres offer an express trade collect service for all the everyday products that you need to complete a project.

Trade Associations & Technical Committees

N&C Phlexicare has been heavily involved in the creation of British & European Standards for decades. We have chaired the TTA Wetroom Technical Committee. We continue to push for stringent policing of the industry which would stop manufacturers falsely claiming specific European standards on packaging. Our philosophy has always been to drive up quality and standards whilst remaining highly competitive.

Environment

As an ISO14001 company, sustainability is a core part of our company agenda. As well as various carbon offsetting programmes in place, we invest a great deal in manufacturing and developing solutions dedicated to reducing our carbon footprint, and in turn increasing our customers' green credentials.

Customer Care

We aim to provide you with an outstanding level of customer service that will help to further enhance the service you offer to your clients. We monitor our performance levels and strive to achieve 100% client satisfaction. We believe that open channels of communication with our customers, coupled with their feedback are a sure way of further improving our customers buying experience.

British Manufacture

Our three state of the art U.K manufacturing facilities comply with ISO 9001 and ISO 14001, utilise the latest manufacturing technologies and apply stringent quality control checks during every part of the manufacturing process. Only the highest quality raw materials and packaging are used, ensuring the finished product meets our exacting standards, far exceeding those of the latest European standards.



Warranties

N&C Phlexicare products are manufactured to such high and exacting standards enabling us to offer a fantastic warranty on all our products.

Product Quality

All our products are tried and tested prior to being introduced into the marketplace. All N&C Phlexicare products exceed the requirements or the relevant BS/EN Standards, offering specification clients and contracting customers the confidence in our product quality.

Anti-Microbial Protection

All of our shower trays are impregnated using the Wells Silver Ion System. This is a non organic system, which will not lose its effectiveness over time, as opposed to some other systems. The Wells Silver Ion System has proven effective against a large range of Gram Positive Bacteria such as Staphylococcus Aureus, MRSA, Listeria and Gram Negative Bacteria such as Escherichia Coli, Pseudomonas Aeruginosa and Salmonella. The additive is also effective against moulds and fungi such as Aspergillus Niger and penicillium Chrysogenum.

Disability Rights UK



Contents

Showering Solutions		Radar Solutions	
Shower Trays	16-55	Key System	282-287
Shower Doors	56-77	Automatic Toilet Entry System	285
Showering Accessories		Access Solutions	
Electric Showers	81-83	Window Systems	290-291
Thermostatic Mixers	83-87	Door Systems	292-297
Shower Riser Kits	86-89	Signage	298-302
Gravity Shower Wastes	91-95	Ramps	304-307
Pumped Shower Wastes	96-99	Daily Living Solutions	
Shower Seats	100-105	Grab Rails	310-323
Shower Curtains and Track	108-109	External Handrail System	324-325
Wetrooms Solutions		Washroom Accessories	327-329
Shower Decks	112 -120	Carer Screens	330
Shower Screens	122-144	Mirrors	331
Wet Room Drainage	145-149	Ropox Nursing Tables	332-333
Waterproofing and Tanking	150-151	Baby Minder	333
AquaMagic	152-153	Water Controls	334-335
Bathroom Solutions		Water Conditioners	335
Baths	157-167	Bath and Basin Wastes	335-336
Bath Accessories	168-169	Apres Air Body Dryer	336
W.C. Suites	171-178	Bathroom Ventilation	339-341
Shower Toilets	179-181	Anti Ligature	343-345
Toilet Seats	183-184	Kitchen Solutions	
Wash Basins	185-195	Introduction	348 - 351
Pedestals and Fixings	185-195	Ranges	352 - 355
Taps, Mixers and Valves	196-207	Cabinets	356 - 363
Multi-User Bathroom Solutions		Height Adjustable Kitchens	364-367
Pressalit CareSystems	210-235	Worktops and Sinks	368
Hewi System 815	236-239	Appliances	369
Ropox	240-247	Wall and Floor Solutions	
Document M Solutions		Ikon Vinyl Floor Tiles	372-373
Compliance Information	250-253	Safety Flooring	372-373
Specialist Products	254-255	Ikon Plain Colour Range	374-376
Doc MPacks	256-279	Wall and Floor Tiles	377-383
		Index and Important Notes	384

Our history & heritage

leading the way ahead...

Nicholls & Clarke were established in 1875 as glass, lead and oil merchants in Shoreditch, London. We have grown from strength to strength into national manufacturers, distributors and retailers of building materials. It was in the early 1970s when the sanitaryware department began offering products designed for the elderly and disabled as well as producing its own specialist equipment under the N&C Phlexicare brand name. The underlying policy was to design products which, while perfectly acceptable for anyone to use, would be of particular benefit to individuals with different levels of abilities.



Inventors and Innovators

The high level of engagement has led to various inventions and innovations over time that have naturally developed through knowledge and experience. N&C Phlexicare was the first company to introduce rise and fall units for kitchens and bathrooms, enabling users with different levels of abilities to lead a more comfortable life.

Introducing the raised height pan

The first raised height toilet within the industry was another superb invention. Until this point a wheelchair user had to lift themselves up, often purely with the strength in their arms or with the help of a carer, to transfer from a toilet pan back to a wheelchair. The development of a toilet pan the same height as a standard wheel chair made this transfer far easier and in many cases allows the user to retain dignity as they no longer require assistance.

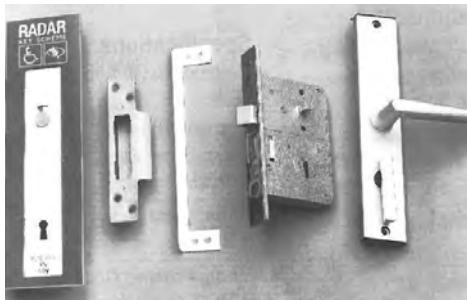
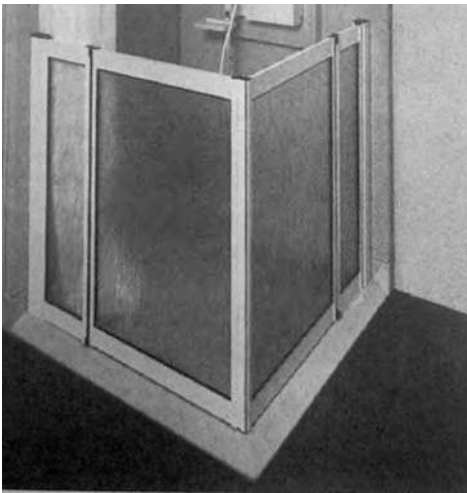
Paving the way in the industry

Founded in 1958 by Les Mason and Ken Forbes, N&C Phlexicare was formed as an arm of the Nicholls and Clarke Group, rapidly being recognised as leaders within the healthcare construction market. As major inventors and innovators in the healthcare industry, the company were unique in their positioning through conducting continuous research and product development, allowing them to gain invaluable insight into the diverse needs of people with different levels of physical abilities.

Over the years, N&C Phlexicare were rapidly being recognised as highly reputable manufacturers and distributors in the healthcare construction market, catering to both the commercial and domestic markets. The success of the company meant credibility was on a continuous rise. Today, the company sit on various BSI Committees and are very much involved in the creation of new BS/EN Standards.



rise and fall units and healthcare kitchens



These introductions that we take for granted have become even more important over the decades with increasingly stringent regulations and standards to ensure equality within public buildings, an area where N&C continues to be a major supplier.

'With R&D at the heart of the company, N&C Phlexicare invented a series of products taken for granted today such as the raised height pan, half height shower doors and low entry shower trays.'

In the early days, understanding the difficulties carers faced when showering users without getting wet led to the introduction of half height shower doors, a revolutionary idea that allowed carers to assist a disabled person using a shower seat without repeatedly soaking the carer. Les Mason, who had been the driving force behind Phlexicare's development, was awarded the MBE in 1989 for services to buildings for the disabled.

N&C Phlexicare was growing strongly, becoming a leader in the provision of a wide range of products, including the RADAR (Royal Association for Disability and Rehabilitation) lock. Invented in collaboration with RADAR, this innovative door locking system with a universal key is used throughout the UK to keep public

toilet facilities secure and available exclusively for use by those with a disability. This important product continues to flourish today as the 'National Key Scheme'. The N&C RADAR lock can be found in thousands of public spaces where toilets are available.

N&C Phlexicare offers clients an end to end solution, where most competitors at the time solely supplied bathroom and kitchen solutions. We have worked closely with industry leading charities, C.A.E (Centre of Accessible Environments), as well as DRUK (Disability Rights UK) as manufacturers of the National R.A.D.A.R. (Royal Association for Disability and Rehabilitation) locks.

From day one, personal interaction, providing full support and building partnerships with clients has been a core part of N&C's philosophy. To aid this, the very first traveller E. J. Brett was introduced back in 1875. Today, N&C continue to invest heavily in their UK wide, external technical sales team, employing on average 50 fully trained representatives that are well equipped with a wealth of technical advice and experience.

The way ahead

Research and development continue to be vital in product design and manufacture. N&C Phlexicare has developed into a market leader in a rapidly developing sector as the population gets older and the demand for attractive, innovative solutions increases. Innovation has

always been part of the N&C philosophy, from creating the world's first raised height pan to developing half height carer shower screens. Phlexicare continues to work with organisations such as Disability Rights UK in further developing the RADAR lock and key scheme. In 2015 N&C launched the fifth generation of this unique product, which has improved the lives of millions of disabled people for the past 40 years. Today, the N&C Phlexicare range offers more than 6,000 products, including bathroom, kitchen and access solutions, and more recently, a greatly enhanced portfolio of wet room options.

With the many extrinsic influencing factors such as an ageing population and new government initiatives, N&C Phlexicare are constantly developing, innovating and changing with the needs of the market to stay ahead. With strong roots, an impressive heritage and a wealth of knowledge and experience gained over the years, the company will continue to make an impact in many years to come.



Launch of the Phlexicare showroom, Shoreditch



A business dedicated to a sustainable future

The environment matters. N&C Phlexicare are committed to a continuous programme of improvement in this important area of business. We have an environmental committee which meets regularly to assess our performance and levels of progress. We train all our people to be environmentally aware in the workplace as we can all make a difference on a daily basis.



Together, we will promote the best use of environmental practice, and more particularly N&C Phlexicare will:-

- Continuously improve environmental performance
- Reduce consumption of resources
- Measure and take action to reduce the carbon footprint of business activities
- Ensure environmental criteria are taken into account in the procurement of goods and services
- Encourage staff involvement in environmental issues
- Expect similar environmental standards from all business partners
- Meet or exceed all environmental legislation that relates to the business

To meet these commitments N&C Phlexicare will:

- Set and monitor strategic objectives and targets for managing environmental performance
- Communicate internally and externally this commitment and environmental performance
- Work together with staff and business partners to promote improved environmental performance
- Review the environmental policy regularly

As manufacturers and distributors, N&C Phlexicare has made a corporate commitment to improving its environmental performance through an Environmental Policy. This will provide the framework for all our work, whether it is in relation to energy efficiency, sustainable waste management or sustainable transport. A committee (Environmental Committee) will implement this policy by developing programmes of work that constitute an Environmental Management System.

The Environmental Committee will monitor the effectiveness of its policies and actions.

International Standards – Achieving ISO14001

With the growing demand for products to be sourced from more eco-friendly production, a high volume of carbon dioxide emissions have been considerably reduced, as a result of the new procedures in place to effectively tackle climate change and the negative effects on the environment, continually advocating the prudent use of natural resources. These processes have led to the accreditation of ISO 14001, the international standard for environmental management systems (EMS). This achievement ensures that our customers are benefiting by proving the products are sourced from an ISO 14001 company.

“Through controlling our CO2 emissions, our customers benefit by sourcing their products from a responsible manufacturer. We have recognised the importance of the environment on future generations and proactively work towards reducing the environmental impact within our manufacturing processes.

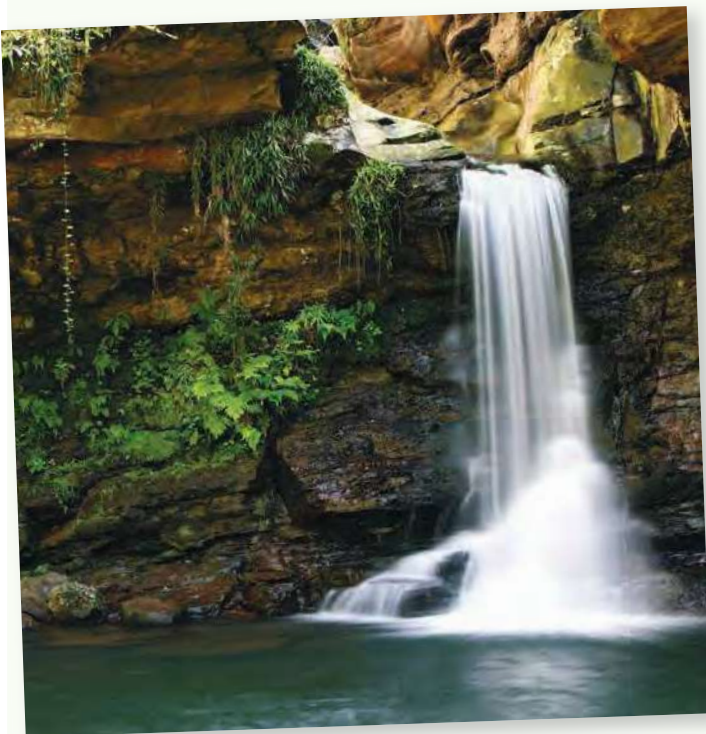
Stephen Forbes, Deputy Chairman, Nicholls & Clarke.

Carbon Footprint

Our manufacturing processes, buildings, delivery and travel policies are monitored continuously which has already reduced our carbon emissions.

Product Development

Our Chemists consider the impact a new product will have on the environment. We work hard to develop low impact formulations that still give the specifier, professional tiling or screeding contractor the performance and handling characteristics they require.



Logistics

We own and operate a private fleet of low carbon commercial vehicles. Our transport managers hold a 'Certificate of Professional Competence' and ensure that we use our fleet efficiently using efficient routing and maximising vehicle capacity.

Social Responsibility

We believe that a sustainable and responsible business will ultimately become a more successful one. We respect the local communities we operate in and work closely with them ensuring we minimise our impact on them. We support a national charity that works closely with communities and families, providing disadvantaged children with much needed, vital equipment.



Raw Materials

We are continually reviewing our raw material suppliers to ensure that we select partners with responsible credentials.

Low Carbon Manufacturing

We continue to invest in the latest low carbon manufacturing equipment. We make use of grey water technology, solar panels & low energy lighting systems. .

Energy Saving

Our aim is to keep our energy consumption to a minimum and to use the greenest sources wherever possible.

Packaging

Wherever possible we make use of packaging with a recycled content. Certain products like 'Ecoflex' use unbleached naturally coloured packaging.

Recycling

Pallets are repaired and reused internally to reduce our consumption of wood. Pallets beyond repair are sent to be recycled rather than being land filled. We also recycle plastic, paper and cardboard.

Waste Reduction

The latest manufacturing techniques and the use of grey water technologies have reduced the amount of waste our manufacturing facilities create.

Carbon Offsetting

N&C Phlexicare supports a carbon offsetting program designed to benefit the environment through delivering reliable emission reductions.

We also have electric car charging stations at some of our branches to promote the use of electric cars.



The Perfect Partnership Across Industries

Domestic

Manoeuvring in the home, whether a care home or family home can be taken for granted, where everyday tasks are perhaps not as easy as it once was. N&C Phlexicare are specialists in providing inclusive, accessible solutions that overcome obstacles found in everyday living, from accessible ramps, bathrooms to rise and fall kitchen units.

Hospitality

Accessibility, reliability, durability, comfort and maintenance are important factors to consider in the design and build of hotels, restaurants and bars etc. The design of the building affects the overall experience and perception of the establishment. We offer a wide range of products from Document M 'MPacks', raised height toilets facilities to RADAR locks and keys. As manufacturers of the RADAR lock and key, public disabled facilities can now be kept clean, and vandal free. We manufacturer and supply the products required for creating accessible ensembles and wet rooms nationwide.

Leisure

As a society, we are driven more and more to engage in physical activities on a regular basis. It is important for the leisure industry to provide access solutions for all. Whether enjoying a swim at the local pool or trip to the local park, our past times should ensure a barrier free experience. N&C Phlexicare have partnered with a number of organisations, such as the National Trust, to provide accessible solutions.

Retail

According to the Equality Act 2010, it is a requirement for public places such as our high street shops and shopping centres to provide inclusive facilities and information for all. Visitors must be able to access, manoeuvre and use facilities available to them. At N&C Phlexicare, we have worked with many high profile retailers and shopping centres on access solutions, bathroom solutions and changing places to ensure compliance in these areas.

Commercial

Since the implementation of disability discrimination legislation, a company can face prosecution if their premises are inaccessible to people with disabilities.

Improvements are not restricted to building access, but also include the introduction of additional features such as grab rails, touch legible signage, induction loops and visual and audio alarm systems. N&C Phlexicare have assisted in supplying solutions to help companies to implement the necessary changes.

Education

Every student deserves to have the same educational experiences as their peers. It is against the law for a school or other education provider to treat disabled students unfavourably. An education provider has a duty to make 'reasonable adjustments' to make sure disabled students are not discriminated against. These include changes to physical features such as ensuring all students can easily access the classroom and having the ability to use toileting facilities independently.





Our Commercial Partners

Our Commercial Partners

We have worked in partnership with an extensive list of customers throughout the UK and worldwide on some of the most demanding projects imaginable. Our products continue to perform today and will continue to do so for the life of the building or project.

This pedigree has created ultimate confidence in the marketplace for N&C Phlexicare products. Today we have N&C Phlexicare products specified by many recognised UK and international brands and are also working with many of the UK's premier contractors, who in turn work in partnership with these brands.





Showering

solutions

Shower Trays

Premier Shower Deck	16 - 20
Aqua-floor Shower Deck	22 - 25
Universal Shower Tray	26 - 31
Quick-Fit Shower Tray	32 - 35
Easy-Fit Shower Tray	36 - 39
Trimline Shower Tray	40 - 42
Phlexi-Mat Shower Mat	43
Flush-Fit Shower Tray	44 - 47
Floor Line Shower Tray	48 - 51
Nova Low Profile Shower Tray	52 - 55

Shower Doors

Window Spanning Kit	56
Shower Doors	56 - 77
Sliding Doors	66
Fixed Panels	71



Premier

Shower Deck

Our Premier Shower Deck is a robust, self supporting solution for achieving a total level access wet floor showering area with confidence. Tried and tested, the Premier Shower Deck is manufactured to high quality performance and endurance.

Premier Shower Deck is ideal for creating a level access shower area with ease. As the strongest available floor former in the UK market, accepting up to 470kg, the robust structure is manufactured using high precision moulds for strength and durability. With a self supporting structure, Premier Shower Deck can be placed directly onto underfloor joists without the need for additional support.



Premier Shower Deck is the perfect solution for use in wet rooms. With built in falls, the gradients in the deck encourage the swift removal of waste water.

Designed with easy installation in mind, Premier Shower Decks can be installed into existing concrete or timber floors. Offset waste outlets have been designed to avoid joists (in most circumstances) for easier access to the pipework. The pre-cut outlet is suitable for use with gravity waste or pumped waste systems (see page 89,95, 101).

Pre-cut linear drainage options are also available.

Our Premier Shower Decks are easy to install and can be tiled directly onto, or covered in vinyl. Although several sizes and formats are available, it can also be trimmed by up to 60mm on each edge for onsite flexibility making installation easier.



Features and benefits:

- Strong and durable base made from 50% recycled material
- 22mm profile
- Can be tiled directly on to or covered in vinyl
- Built in gradients for water removal to the waste, minimum 2%
- Ideal for total level access
- Waste offset to avoid joists in most circumstances
- Pre-cut waste outlet suitable for gravity waste or Phlexiflow and Hydro-Flow pumped waste systems
- Self supporting, no requirement for additional support underneath
- Can be trimmed by up to 60mm on each edge
- Accepts over 470kg loading
- Manufactured using high strength precision metal moulds

The Premier Shower Deck's 22mm profile allows easy installation into either timber or concrete shower areas.



Level Access



Offset Waste



Cut to Length



100% Recyclable



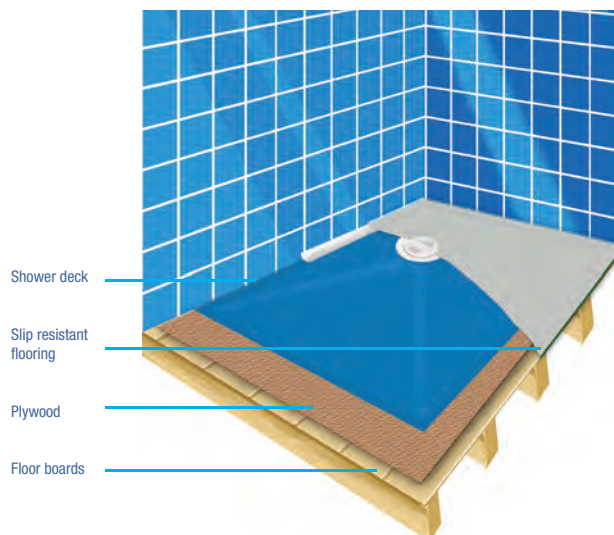
Recycled Content



Lifetime Warranty

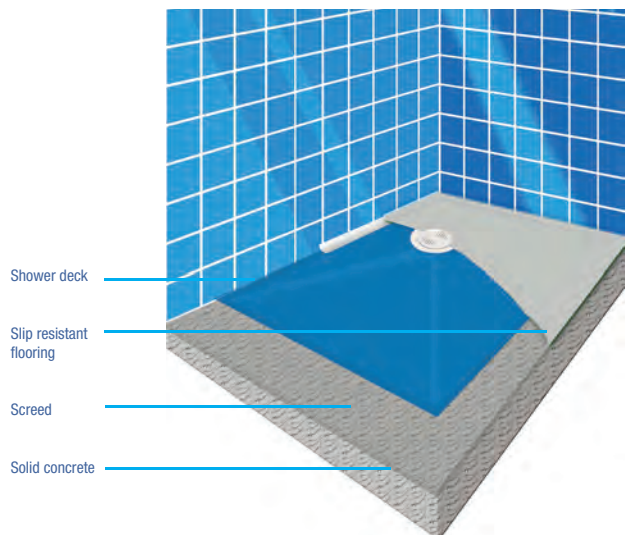
Installation

Timber



The Premier Shower Deck can be installed into an existing timber floor by removing the floorboards and fixing the former directly onto the joists. If the deck protrudes more than 100mm over a joist, support noggins should be installed. The floor should be brought level with the former to make the room level and ready for a suitable floor covering.

Concrete



The Premier Shower Deck can be installed into an existing concrete floor by removing the screed and setting the floor former in a position to leave it level with the remainder of the shower room floor. When all pipework is complete the whole shower room floor, including the new shower area can be covered with suitable vinyl flooring or tiled.

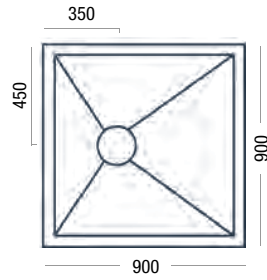
Premier Shower Deck

Available Shower Doors:

ACDILRRFSUV

Waste position: Offset

Size	Code Number
900x900	P6821934

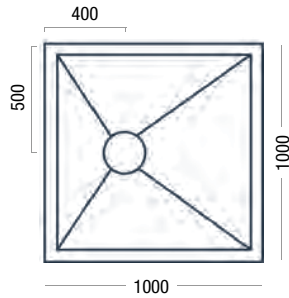


Available Shower Doors:

ACDILRRFSTUV

Waste position: Offset

Size	Code Number
1000x1000	P6821930

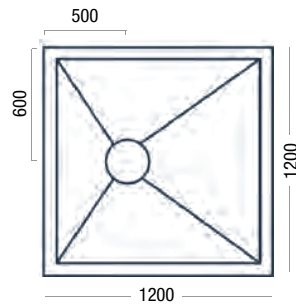


Available Shower Doors:

ABCDHILRRFSTUV

Waste position: Offset

Size	Code Number
1200x1200	P6821936

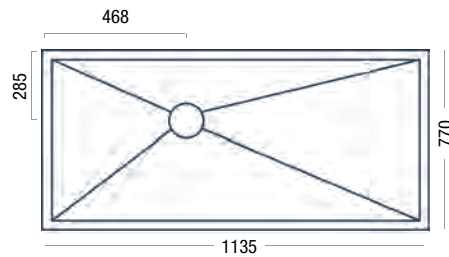


Available Shower Doors:

**ABEFGHJKNO
PQRRFSUVW**

Waste position: Offset

Size	Code Number
1135x770	P6821931

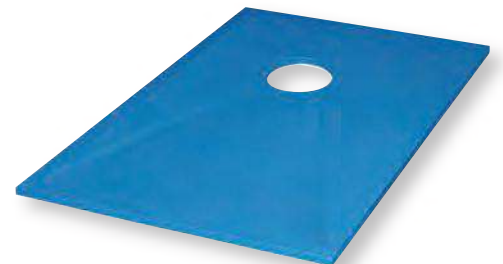
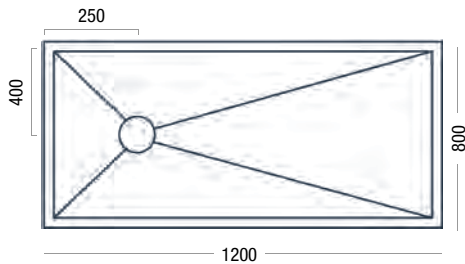


Available Shower Doors:

**ABEFGHJNO
PQRRFSTUVW**

Waste position: Centre

Size	Code Number
1200x800	P6821941

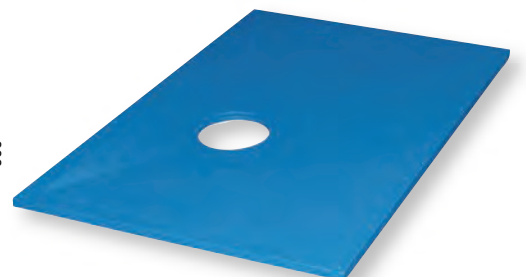
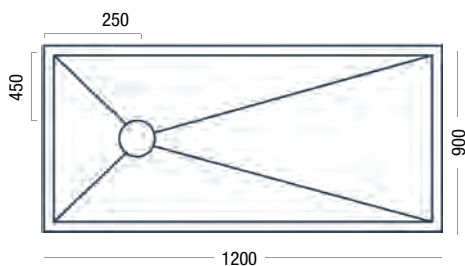


Available Shower Doors:

ABHLRRFSTU

Waste position: Offset

Size	Code Number
1200x900	P6821943

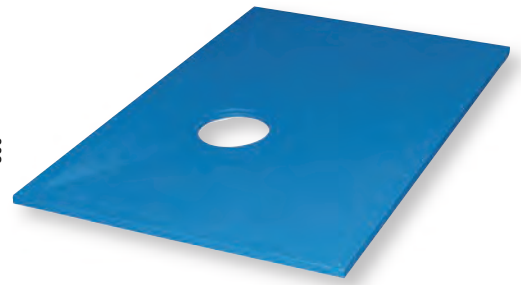
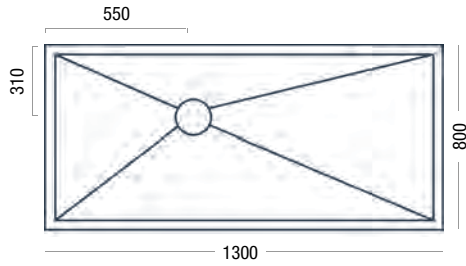


Available Shower Doors:

**A B E F G H J K M N
O P Q R R F S T U W**

Waste position: Offset

Size	Code Number
1300x800	P6821932

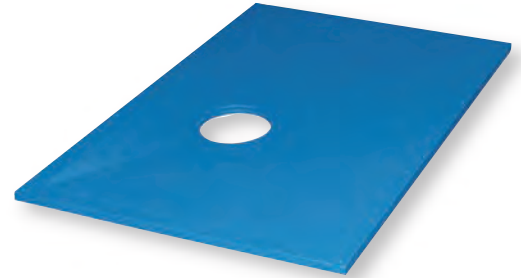
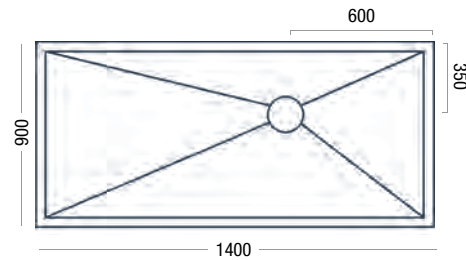


Available Shower Doors:

**B E F G H J K M N O P Q
R R F S T U W**

Waste position: Offset

Size	Code Number
1400x900	P6821935

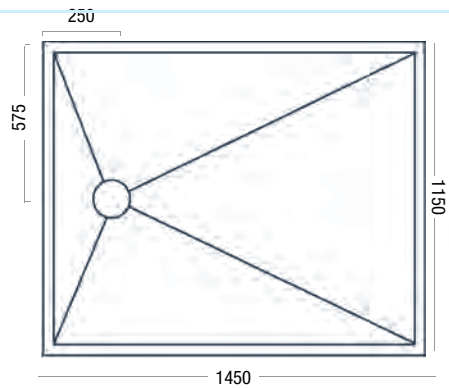


Available Shower Doors:

H M R R F S T

Waste position: Offset

Size	Code Number
1450x1150	P6821929

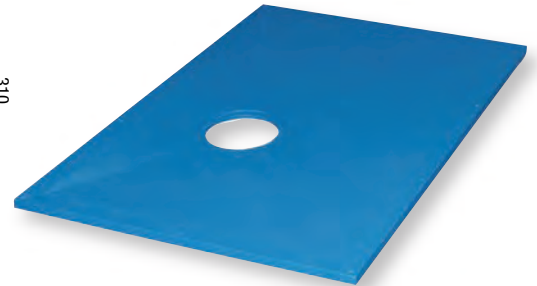
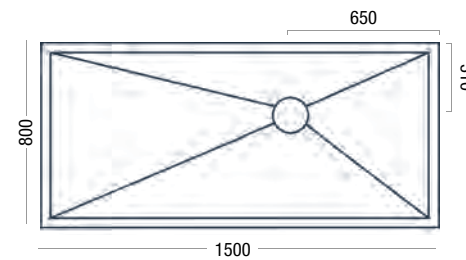


Available Shower Doors:

**B E F G H J K M N
O P Q R R F S T U W X Y**

Waste position: Offset

Size	Code Number
1500x800	P6821933

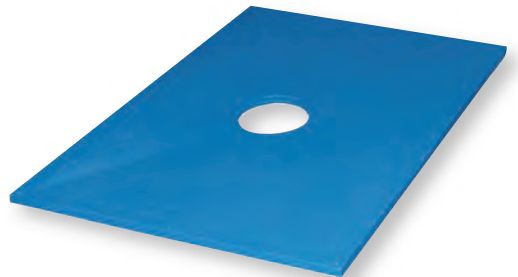
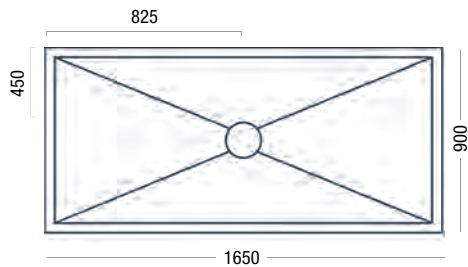


Available Shower Doors:

H M R R F S T U X Y

Waste position: Centre

Size	Code Number
1650x900	P6821942

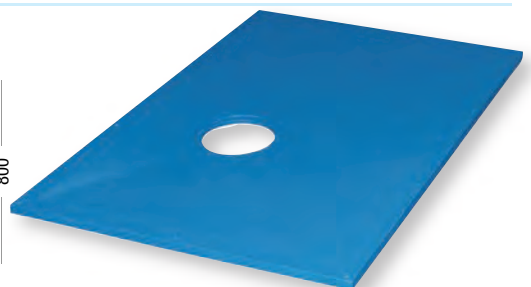
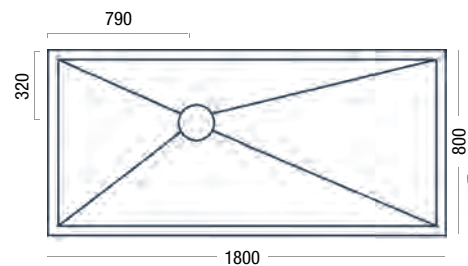


Available Shower Doors:

H M R R F S T X Y

Waste position: Offset

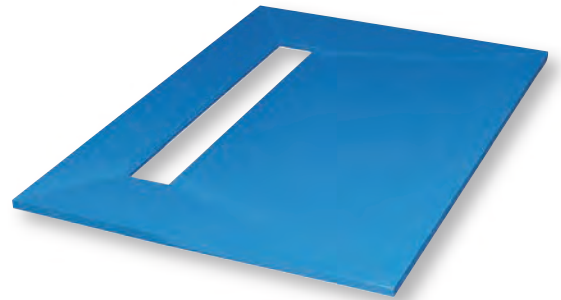
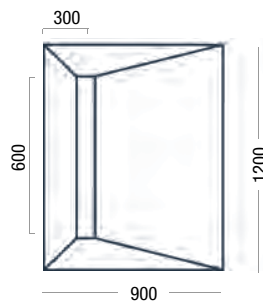
Size	Code Number
1800x800	P6821940



Premier Linear Shower Deck

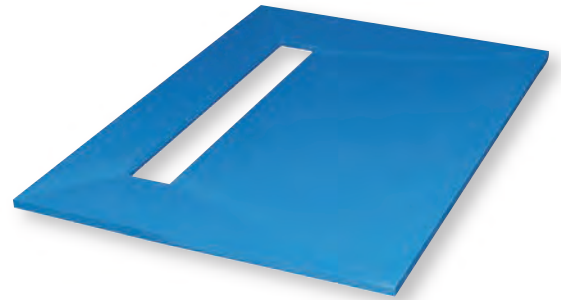
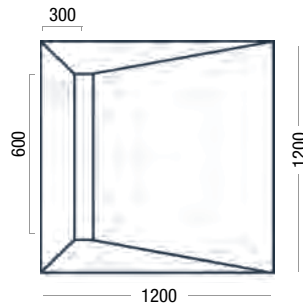
Waste position: Centre Back

Size	Code Number
1200x900	P6821988



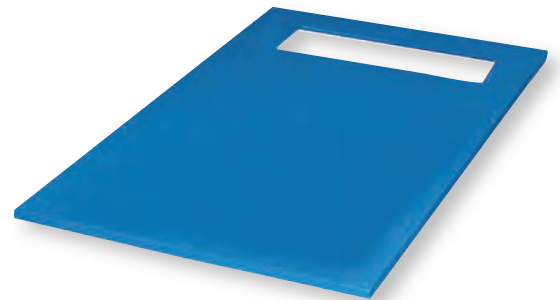
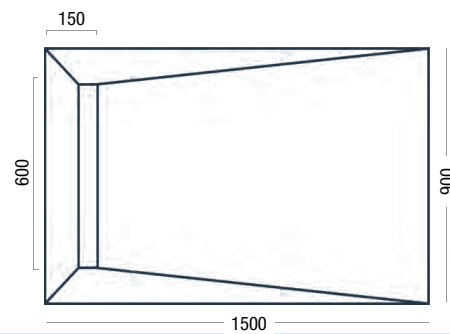
Waste position: Centre Back

Size	Code Number
1200x1200	P6821987



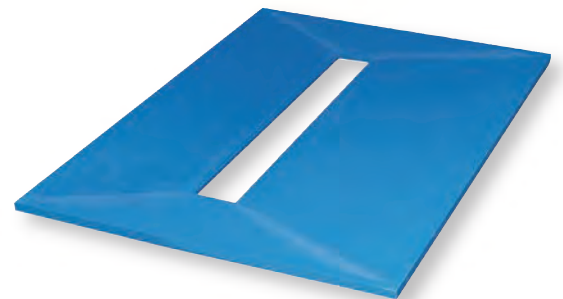
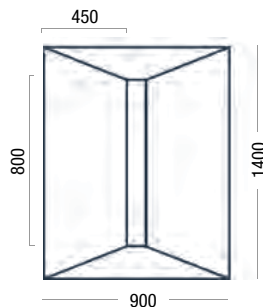
Waste position: Centre Back

Size	Code Number
1500x900	P6821989



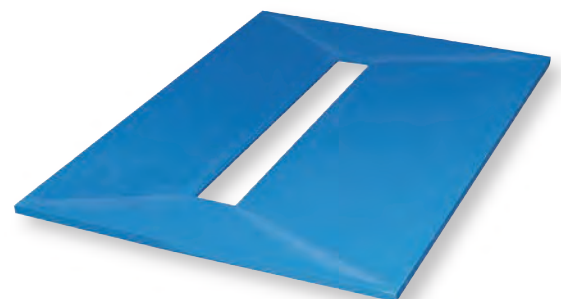
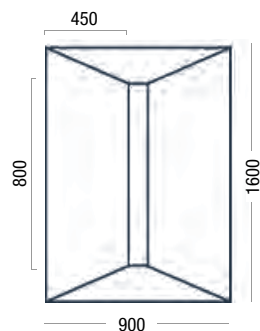
Waste position: Centre

Size	Code Number
1400x900	P6821985



Waste position: Centre

Size	Code Number
1600x900	P6821986



Suitable Drainage Options

Gravity waste systems
See pages 91

Wet floor pumped waste systems
See pages 96 - 99

Phlexiline Living drainage
See pages 147 - 148

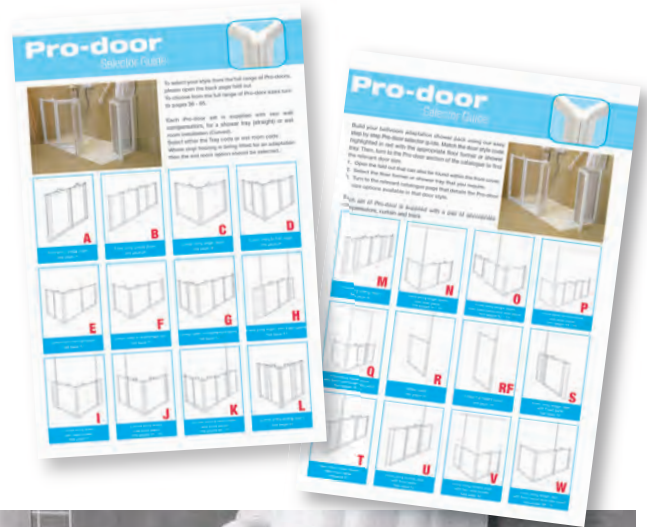
Pro-door System

To select your style from the full range of Pro-doors, please open the front and back page fold outs sections.

To choose from the full range of Pro-door sizes turn to pages 56 - 77

The majority of Pro-door sets are supplied with the option of wall compensators for a shower tray (straight) or wet room installation (curved).

Select either the tray or wet room code.



NOW also available to order in Silver

Pro-door features and benefits

- 1) Aluminium box construction
- 2) P.E.T.G superior frosted strengthened panels
- 3) Clean white finish
- 4) 3 point white seal
- 5) Concealed neodymium magnets
- 6) Unique bi-fold door locking system for added safety and strength
- 7) Stylish round design
- 8) Simple single screw locking system for door and compensator
- 9) Wall compensators allow for 30mm of adjustment / extended compensator available
- 10) Improved rapid rise and fall hinge system with extended foot for extra stability
- 11) Unique rounded labyrinth joint system



Aqua-floor

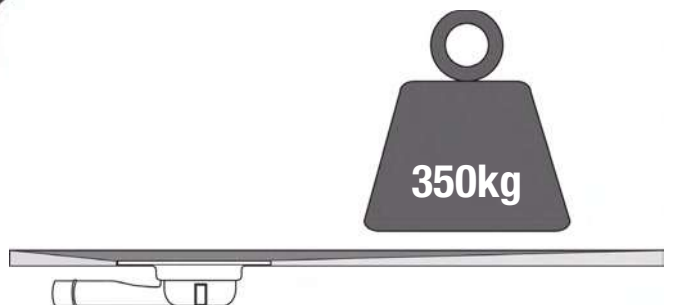
Shower Deck

Aqua-floor is our new, innovative shower deck with a unique cellular structure that makes it the most robust and strongest shower deck for vinyl installations.



The NEW 'Aqua-Floor' shower deck is a high strength wet room shower deck that has been compression moulded using a high glass content SMC formulation.

Computer Aided Modelling was used to create this unique, ribbed design to the underside of the Aqua-floor. Independent tests prove Aqua-floor's structural cellular design enables us to achieve the highest levels of durability and strength of SMC floor formers on the market, with minimal deflection. At 350kg point loading, Aqua-floor offers complete confidence in its rigidity and strength.





Features and Benefits:

- Market leading strength and rigidity
- Accepts 55 Stone / 350kg of loading
- Unique high grade SMC formulation
- Computer aided cellular structure design
- Suitable for timber / joist installation
- Beds well into concrete / screed substrates
- Unique cross linked rib design for optimum strength
- No under boarding required
- 22mm level access base
- Pre formed fixing holes
- Drill guideline - if additional fixing points are required
- Precision engineered gradients / slopes
- Pre-cut waste outlet suitable for gravity waste or Phlexiflow and Hydro-Flow pumped waste systems
- Waste offset to avoid joists
- Can be trimmed on site
- Uk manufactured

The Aqua-floor Shower Deck's 22mm profile allows easy installation into either timber or concrete.



Level Access



Offset Waste



100% Recyclable



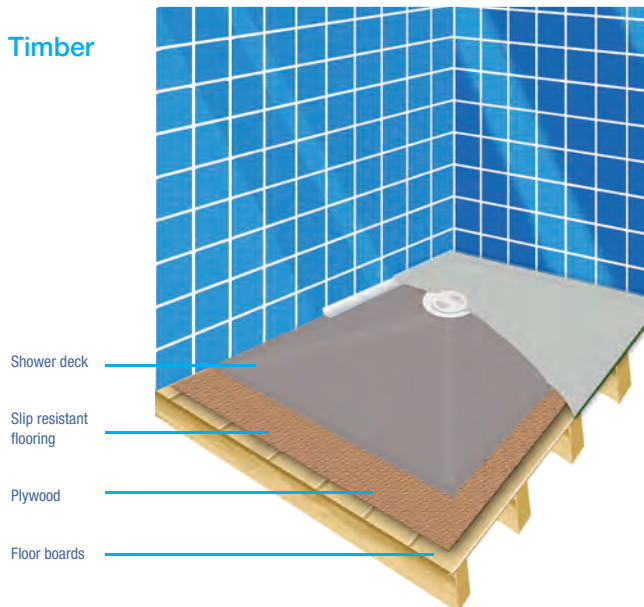
Cut to Length



Lifetime Warranty

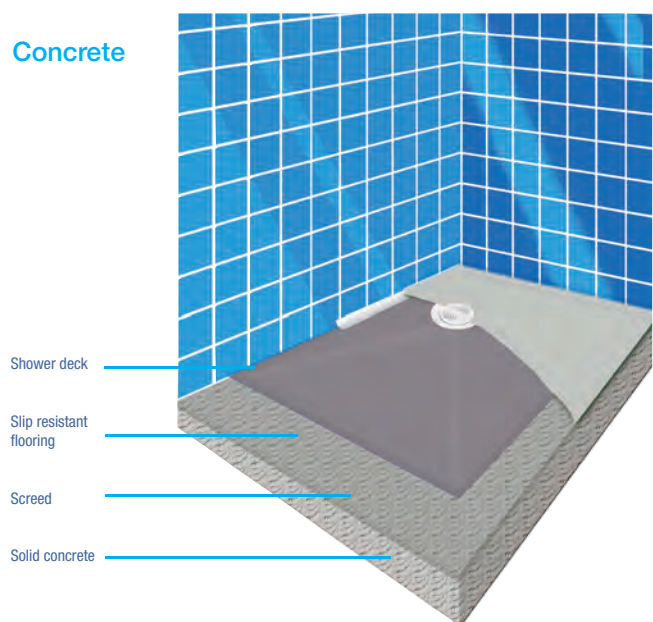
Installation

Timber



The Aqua-floor Shower Deck can be installed into an existing timber floor by removing the floorboards and fixing the former directly onto the joists. Fix noggins to support the perimeter on the former. The floor should be brought level with the former to make the room level and ready for a suitable floor covering.

Concrete



The Aqua-floor Shower Deck can be installed into an existing concrete floor by removing the screed and setting the floor former in a position to leave it level with the remainder of the shower room floor. When all pipework is complete the whole shower room floor, including the new shower area can be covered with suitable vinyl flooring.

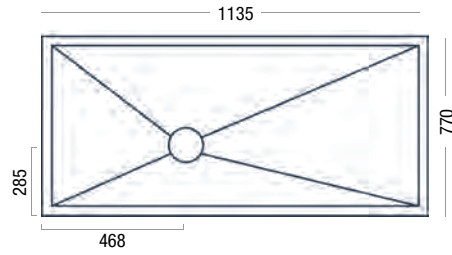
Aqua-floor Shower Deck

Available Shower Doors:

**A B E F G H J K N O
P Q R R F S U V W**

Waste position: Offset

Size	Code Number
1135x770	P6820433

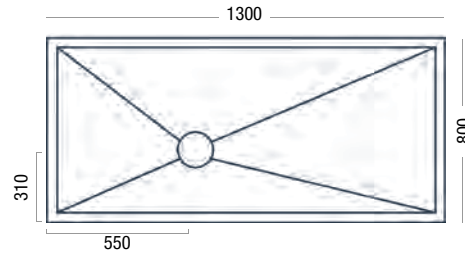


Available Shower Doors:

**A B E F G H J K M N O
P Q R R F S T U V**

Waste position: Offset

Size	Code Number
1300x800	P6820434

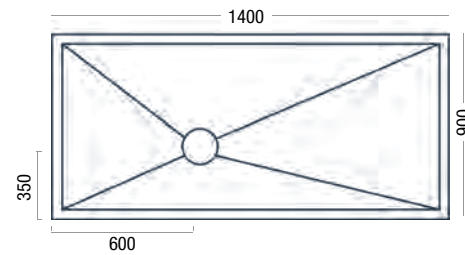


Available Shower Doors:

**B E F G H J K M N O
P Q R R F S T U V**

Waste position: Offset

Size	Code Number
1400x900	P6820435

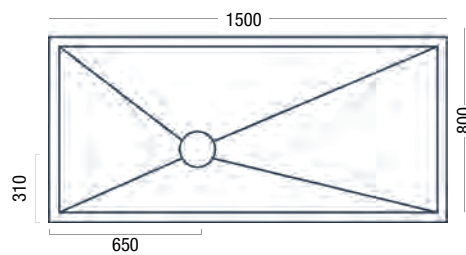


Available Shower Doors:

**B E F G H J K M N O
P Q R R F S T U V W X Y**

Waste position: Offset

Size	Code Number
1500x800	P6820436

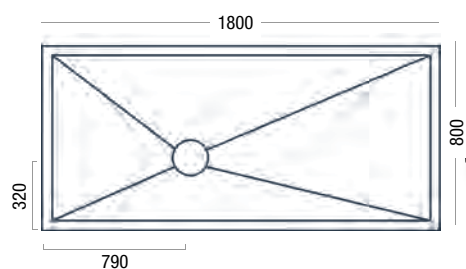


Available Shower Doors:

H M R R F S T X Y

Waste position: Offset

Size	Code Number
1800x800	P6820437

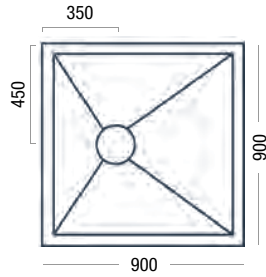


Available Shower Doors:

ACDILRRFSUV

Waste position: centre offset

Size	Code Number
900x900	P6820431

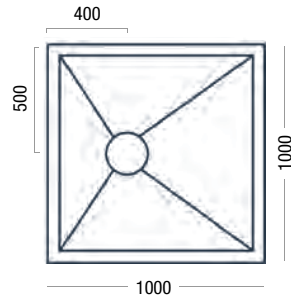


Available Shower Doors:

ACDILRRFSTUV

Waste position: centre offset

Size	Code Number
1000x1000	P6820432

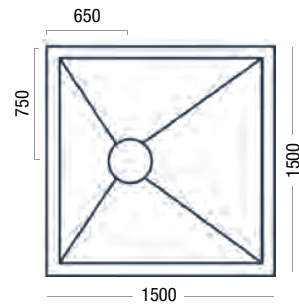


Available Shower Doors:

BHMRRFSTUXY

Waste position: centre offset

Size	Code Number
1500x1500	P6820430



Suitable Drainage Options

Gravity waste systems

See pages 91

Wet floor pumped waste systems

See pages 96 - 99



Universal Shower Tray

The Universal Shower Tray is an ideal solution if you are looking to achieve versatility with installation configurations. With a profile of 35mm, the tray can be recessed for level access or surface mounted.

The Universal Shower Tray is a durable, slip resistant shower tray manufactured with a smooth, gel coating for the creation of a hard wearing surface. The fully encapsulated structure encompasses metal strengthening bars for rigidity. Our Universal Shower Trays can be fitted directly onto an existing floor to create a 35mm low level access. Alternatively, the tray can be bedded into the floor to provide level access. Both options of installation can be achieved on a concrete screed or timber

boarded floor area. It is suitable for use with our Pro-door showering options and many of our other shower screens and enclosures.



Our Universal Shower Tray is suitable for use with both traditional gravity waste systems or pumped waste systems such as our Phlexiflow and Hydro-Flow Pumps for the removal of water. Maximum flexibility can be achieved within the design as the tray can be reversed and placed in the most appropriate position to suit the existing waste outlet on site. The unique drainage channels help direct the waste water towards the outlet.

The Universal Shower Tray has an easy to clean, brilliant white, hygienic and slip resistant surface. It is available in a wide range of sizes to suit all bathrooms.



Features and Benefits:

- Durable, brilliant white, slip resistant base
- Unique drainage channels
- Metal strengthening bars for rigidity
- Gel coated for a hard wearing surface & ease of cleaning
- Fully encapsulated board structure for increased stability and comfortable handling
- Suitable for low level or level access, installed in or on the floor
- Waste outlet suitable for gravity and Phlexiflow top or bottom exit pumped waste systems
- Non handed tray as the waste is positioned centrally
- Fully reversible to help gain the most appropriate waste location
- Wells silver ion content to stop bacteria growth
- Where it is not possible to sink the tray into an existing concrete or timber floor a loose ramp is available which can be cut and attached to the tray on site.

The Universal shower tray's 35mm profile allows easy installation into or on top of wood or concrete shower areas.



Low Level



Level Access



Centre Waste Reversible



Slip Resistant



Recycled Content



Anti Microbial



Cut to Length



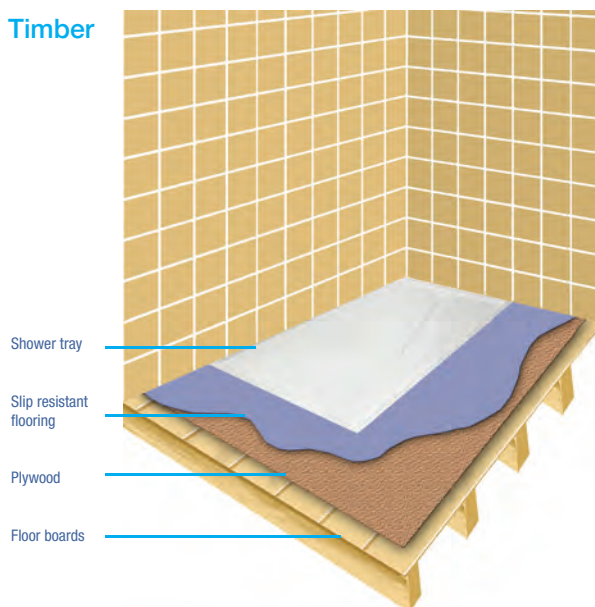
Tile Upstand Supplied



Lifetime Warranty

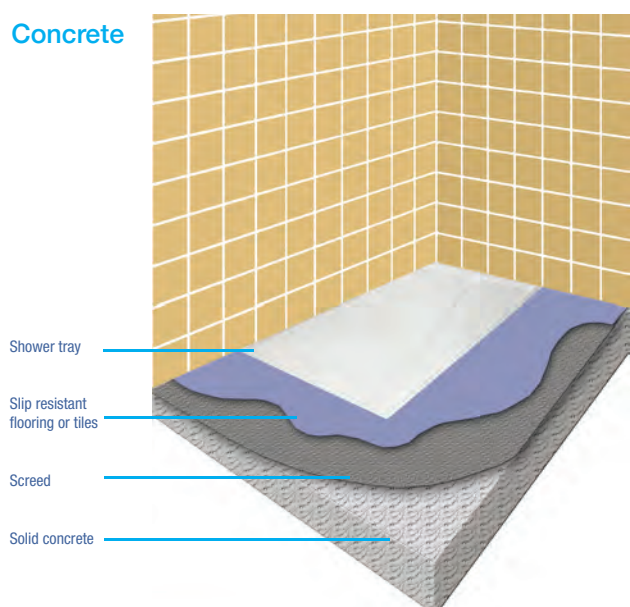
Installation

Timber



The Universal Shower Tray can be sited directly onto the timber floor for low level access or alternatively the boarding can be removed and the tray sunk into the floor. With a combination of plywood and the preferred finished flooring, level access can be achieved.

Concrete



The Universal Shower Tray can be sited directly onto the screed for low level access or alternatively the screed can be removed and the tray sunk into the floor for level access.

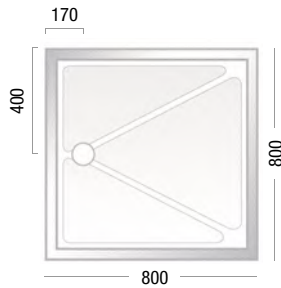
Universal Shower Tray

Available Shower Doors:

A C D R R F

Waste position: Reversible

Size	Code Number
800x800	P6820561

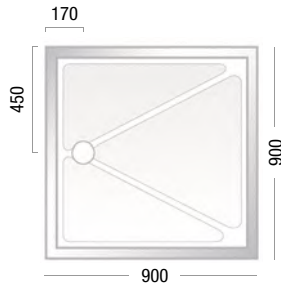


Available Shower Doors:

A C D I L R R F S U V

Waste position: Reversible

Size	Code Number
900x900	P6820562

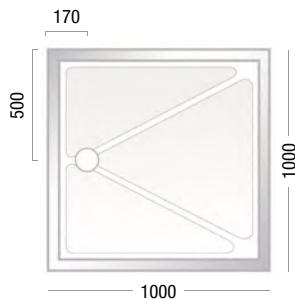


Available Shower Doors:

A C D I L R R F S T U V

Waste position: Reversible

Size	Code Number
1000x1000	P6820563

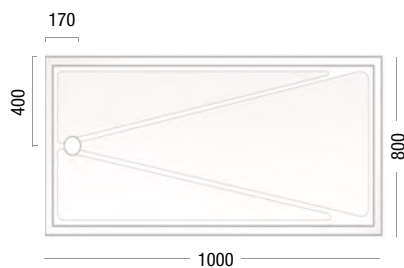


Available Shower Doors:

A R R F S T U

Waste position: Reversible

Size	Code Number
1000x800	P6820573

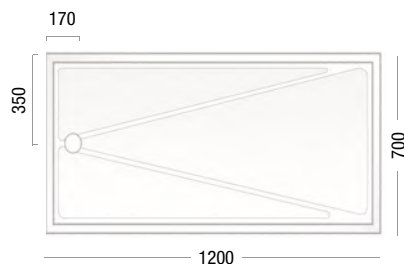


Available Shower Doors:

**A B E F G H J N O P
Q R R F S T U V W**

Waste position: Reversible

Size	Code Number
1200x700	P6820552

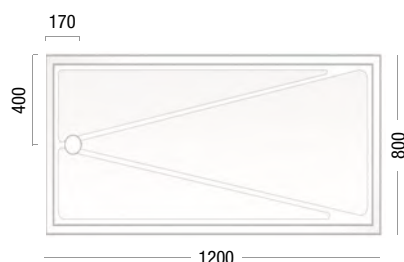


Available Shower Doors:

**A B E F G H J N O P
Q R R F S T U V W**

Waste position: Reversible

Size	Code Number
1200x800	P6820556

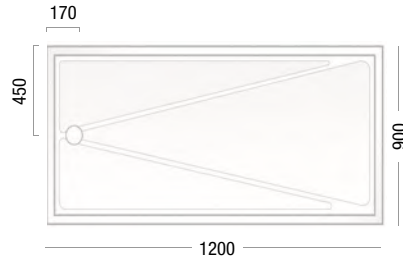


Available Shower Doors:

ABHLRFSTU

Waste position: Reversible

Size	Code Number
1200x900	P6820574

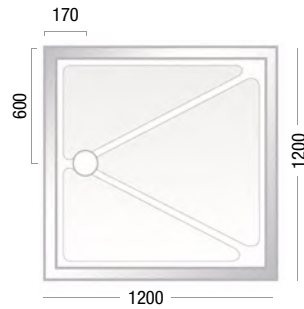


Available Shower Doors:

ABCDHLRFRFSTUV

Waste position: Reversible

Size	Code Number
1200x1200	P6820564

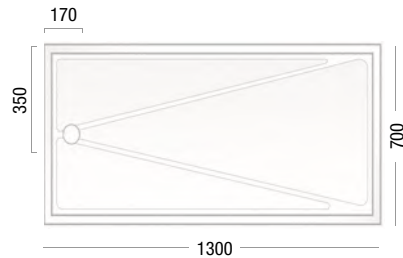


Available Shower Doors:

**ABEFGHJKMN
OPQRRFSTUW**

Waste position: Reversible

Size	Code Number
1300x700	P6820553

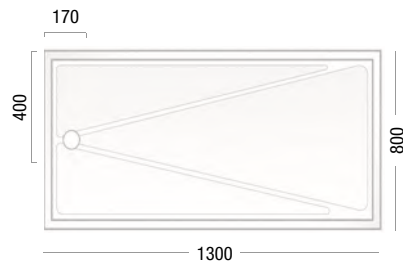


Available Shower Doors:

**ABEFGHJKMN
OPQRRFSTUW**

Waste position: Reversible

Size	Code Number
1300x800	P6820557

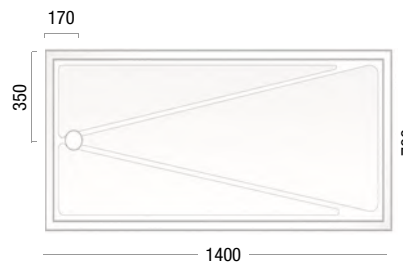


Available Shower Doors:

**BEFGHJKMN
OPQRRFSTUW**

Waste position: Reversible

Size	Code Number
1400x700	P6820550

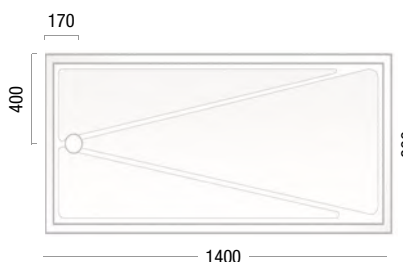


Available Shower Doors:

**BEFGHJKMNOP
QRRFSTUW**

Waste position: Reversible

Size	Code Number
1400x800	P6820558



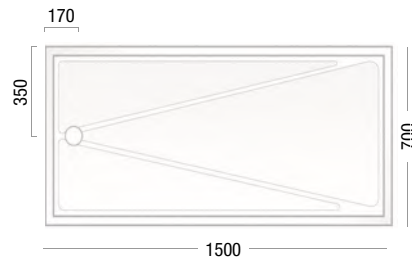
Universal Shower Tray

Available Shower Doors:

**B E F G H J K M N
O P Q R R F S T U V**

Waste position: Reversible

Size	Code Number
1500x700	P6820554

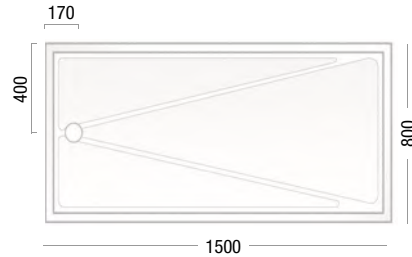


Available Shower Doors:

**B E F G H J K M N
O P Q R R F S T U V**

Waste position: Reversible

Size	Code Number
1500x800	P6820559

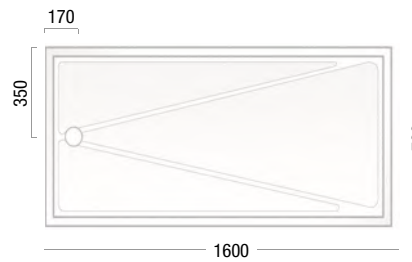


Available Shower Doors:

**B E F G H J K M N
O P Q R R F S T U X Y**

Waste position: Reversible

Size	Code Number
1600x700	P6820555

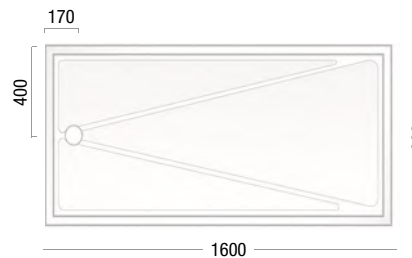


Available Shower Doors:

**B E F G H J K M N
O P Q R R F S T U X Y**

Waste position: Reversible

Size	Code Number
1600x800	P6820560

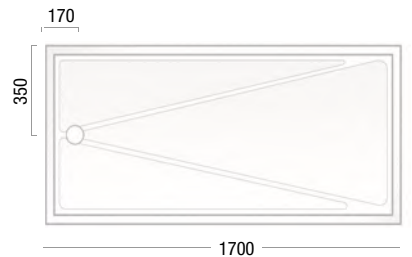


Available Shower Doors:

**B H J K M N O P Q
R R F S T U X Y**

Waste position: Reversible

Size	Code Number
1700x700	P6820575

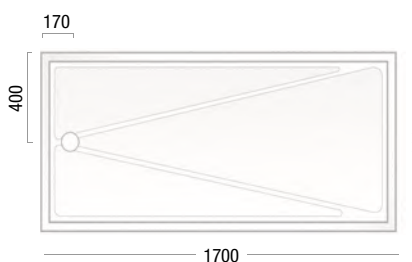


Available Shower Doors:

**B H J K M N O P Q
R R F S T U X Y**

Waste position: Reversible

Size	Code Number
1700x800	P6820576

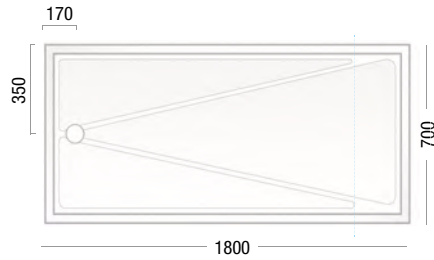


Available Shower Doors:

H M R R F S T X Y

Waste position: Reversible

Size	Code Number
1800x700	P6820548

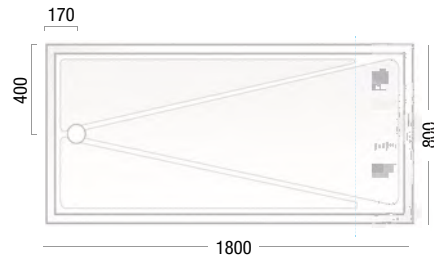


Available Shower Doors:

H M R R F S T X Y

Waste position: Reversible

Size	Code Number
1800x800	P6820549



The Universal 1800mm tray can be cut down to a minimum of 1500mm as there are metal strengthening bars that cross the tray at 100mm intervals and comes complete with end panel section.



This allows greater flexibility for onsite conditions and allows one tray to be provided for many different scenarios.
e.g a 1560mm alcove can be catered for by cutting an 1800mm tray to the exact size required and then fixing the finished end panel section.

Universal Shower Tray Ramps

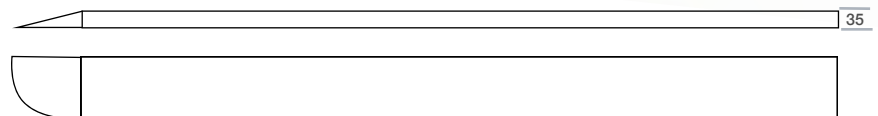
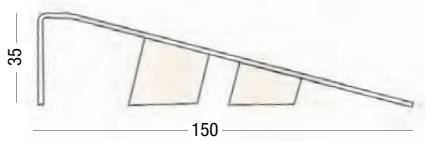
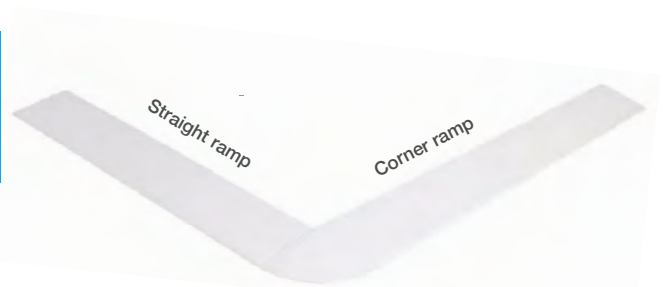
Corner Ramps

Size		Code Number
1500x35	Left	P6820526
1500x35	Right	P6820527
1200x35	Left	P6820528
1200x35	Right	P6820529
900x35	Left	P6820530

Straight Ramps

Size	Code Number
800x35	P6820522
900x35	P6820523
1800x35	P6820525

All ramps can be cut to size



Suitable Drainage Options

Gravity waste systems
See pages 95

Pumped waste systems
See pages 96 - 99



Quick Fit

Shower Tray

Our Quick Fit Shower Tray is a high quality, fully encapsulated product that incorporates an innovative, unique drainage system. The sensor operation, with built-in suction pump and specially designed drainage channels, assist in the effective disposal of water. The Quick Fit Shower Tray is the ideal solution where the floor cannot be breached, or where it is difficult to fit a standard waste system into the floor. The low level shower tray makes it the perfect solution for users requiring accessibility.



A fast, easy to install solution incorporating an attractive, high quality and fully functional design for easy access showering. The low level profile and brilliant white finish allows for an inclusive, sophisticated looking product in the bathroom, moving away from a clinical aesthetic.

Through quality manufacturing, Quick Fit is a robust, highly durable solution with a slip resistant surface and an anti-microbial finish for greater user confidence and hygiene.

Quick Fit is designed to be easily connected to any waste pump system, including Phlexiflow and Hydro-Flow, using 15m or 22m pipework. This enables speedy installation of a low level shower tray to an unbreachable floor.





Features and Benefits:

- Unique drainage channels for effective water disposal
- Designed for unbreachable floor installation
- Durable brilliant white slip resistant base
- Unique drainage channels
- Metal strengthening bars for rigidity
- Gel coated for a hard wearing surface and easy cleaning
- Fully encapsulated board structure for increased stability and comfortable handling
- Suitable for low level access
- Silver ion anti-microbial treated to stop bacteria growth
- Fully reversible to help gain the most appropriate waste location
- Designed for easy and speedy connection to a pumped waste system



Low Level



Corner Waste Reversible



Centre Waste Reversible



Slip Resistant



Recycled Content



Anti Microbial



Cut to Length



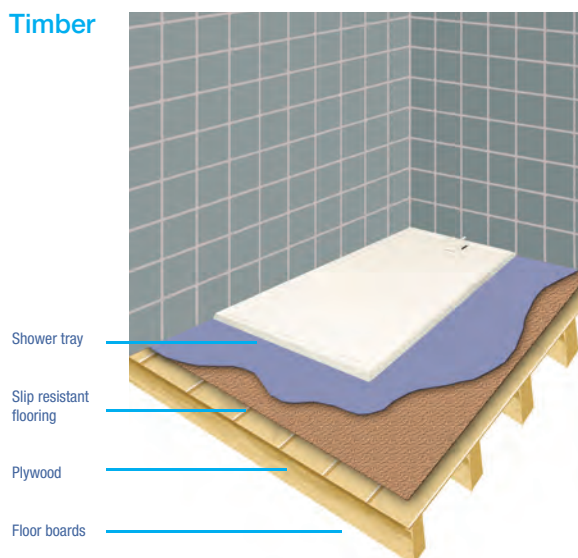
Tile Upstand Supplied



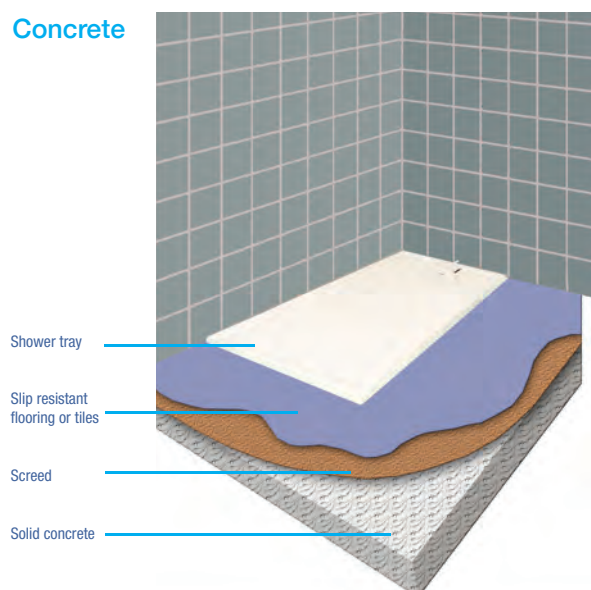
Lifetime Warranty

Installation

Timber



Concrete



Low level access can be achieved if installing the Quick Fit Shower Tray onto an existing floorboard or chipboard floor, which cannot be breached. The tray can be sited directly onto the timber floor and used in conjunction with a pumped waste.

Low level access can be achieved if installing onto existing concrete floors. The Quick Fit Shower Tray can be sited directly onto the concrete or screed subfloor and used in conjunction with a pumped waste system.

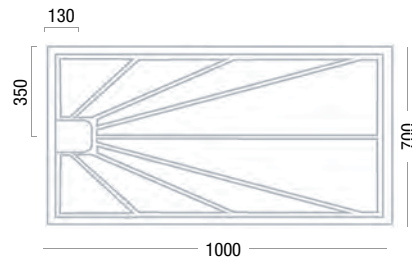
Quick Fit Shower Tray

Available Shower Doors:

A R R F S T U

Waste position: Reversible

Size	Code Number
1000x700	P6820511

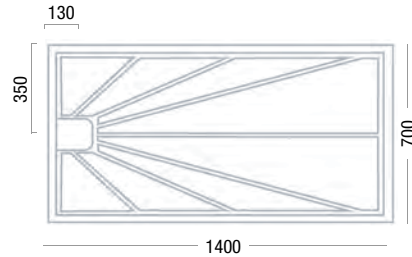


Available Shower Doors:

**B E F G H J K M N O P
Q R R F S T U W**

Waste position: Reversible

Size	Code Number
1400x700	P6820512

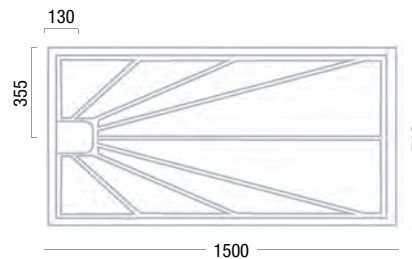


Available Shower Doors:

**B H M N O P Q R R F S
T U W X Y**

Waste position: Reversible

Size	Code Number
1500x710	P6820513

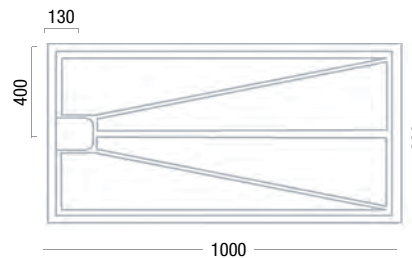


Available Shower Doors:

A R R F S T U

Waste position: Reversible

Size	Code Number
1000x800	P6820514

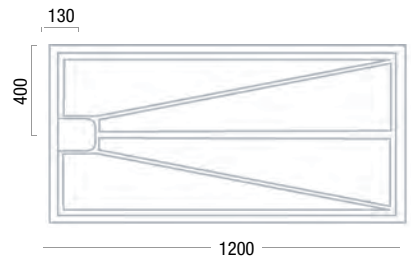


Available Shower Doors:

**A B E F G H J N O P Q
R R F S T U V W**

Waste position: Reversible

Size	Code Number
1200x800	P6820515

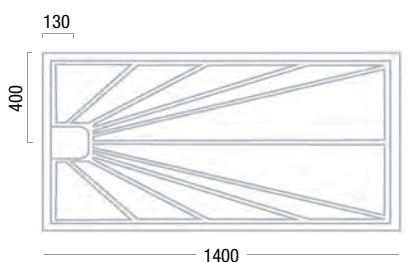


Available Shower Doors:

**B E F G H J K M N O
P Q R R F S T U W**

Waste position: Reversible

Size	Code Number
1400x800	P6820516

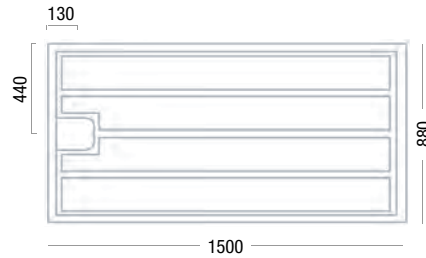


Available Shower Doors:

B H M R R F S T U X Y

Waste position: Reversible

Size	Code Number
1500x880	P6820517

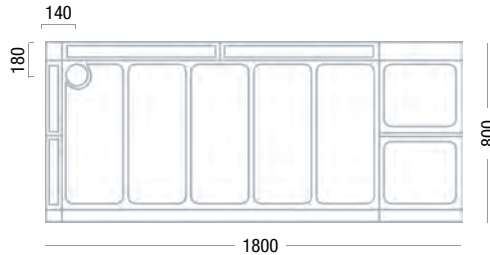


Available Shower Doors:

H M R R F S T X Y

Waste position: Top left

Size	Code Number
1800x800	P6820518

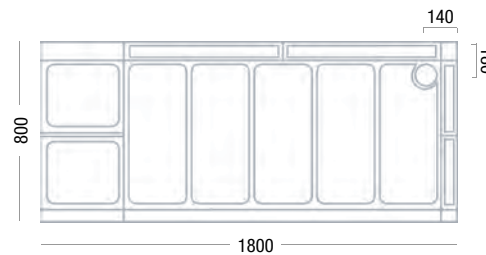


Available Shower Doors:

H M R R F S T X Y

Waste position: Top right

Size	Code Number
1800x800	P6820519



The 1800mm Quick Fit Shower tray can be cut down to a minimum of 1500mm as there are metal strengthening bars that cross the tray at 100mm intervals and comes complete with end panel section. This allows greater flexibility for onsite conditions and allows one tray to be provided for many different scenarios, e.g a 1560mm alcove can be catered for by cutting an 1800mm tray to the exact size required and then fixing the finished end panel section. .



Cut down finishing cap section

Quick Fit Shower Tray Ramps

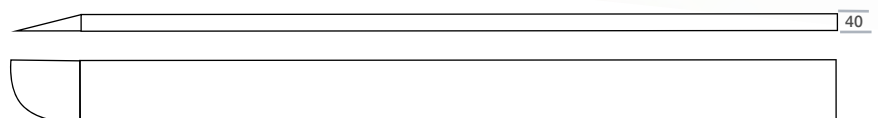
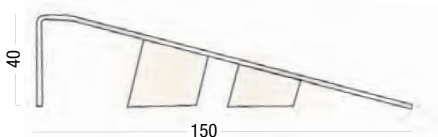
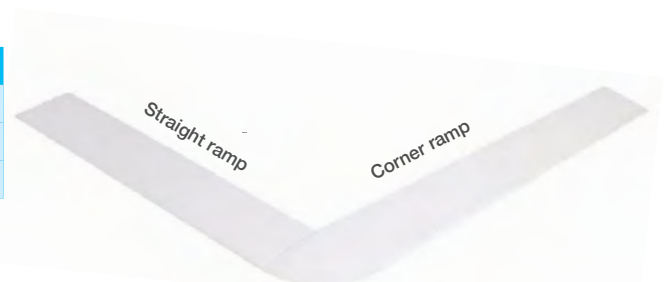
Corner Ramps

Size		Code Number
1500x40	Left	P6820503
1500x40	Right	P6820504
1200x40	Left	P6820505
1200x40	Right	P6820506
900x40	Left	P6820507

Straight Ramps

Size	Code Number
800x40	P6820500
900x40	P6820501
1800x40	P6820502

All ramps can be cut to size



Suitable Drainage Options

Pumped waste systems
See pages 96 - 99



Easy Fit

Shower Tray



Our Easy Fit Shower Tray has been designed for installation onto unbreachable floors, where a gravity waste is required instead of a pump. The Easy Fit Shower Tray incorporates high quality construction and rigidity through its fully encapsulated structure that conceals pipework.

The Easy Fit Shower Tray has a unique gravity waste design which means the pipe work can be hidden beneath the 90mm high tray, speeding up the installation process and eliminating the need for pipe work to be bedded into the floor or wall.

The Easy Fit Shower Tray has been designed to be attractive and effective so that water runs away quickly and the unique waste eliminates the risk of users damaging their feet.



The tray is suitable for use with the full range of our Pro-door shower door options. The flexibility of the design includes a central waste which can be reversed and used left or right handed; this means the installer can place the tray in the most appropriate position to suit the waste on site.

The design benefits from metal strengthening bars to create a rigid tray which is completely encapsulated with gel coating to provide a smooth, hardwearing finish. The tray has an easy clean, brilliant white hygienic slip resistant surface. It is available in a wide range of sizes to suit all bathrooms and has a cut down option.



Features and Benefits:

- Durable brilliant white slip resistant base
- Unique drainage channels
- Metal strengthening bars for rigidity
- Gel coated for hard wearing and ease of cleaning
- Fully encapsulated board structure for increased stability and comfortable handling
- Suitable for low level access
- Wells silver ion content to stop bacteria growth
- Suitable for gravity waste with unbreachable floor
- Non handed tray as the waste is positioned centrally
- Fully reversible to help gain the most appropriate waste location

- Most direct outlet preferred route.
- Second option add one 90° elbow under tray

Steel support struts for extra strength.



Easy Fit 90mm profile allows easy installation onto timber or concrete shower areas.



Low Level



Centre Waste Reversible



Slip Resistant



Recycled Content



Anti Microbial



Cut to Length



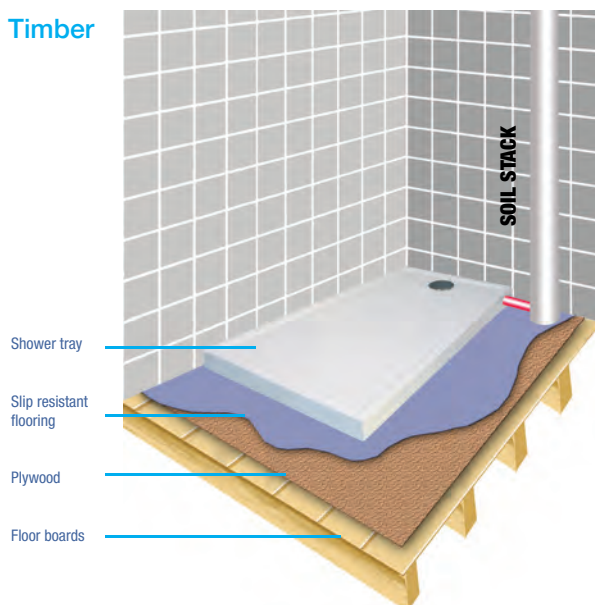
Tile Upstand Supplied



Lifetime Warranty

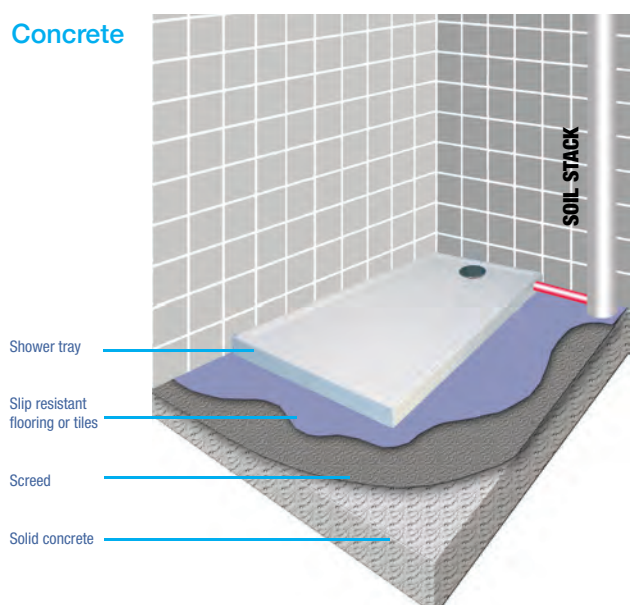
Installation

Timber



Low level access can be achieved if installing the Easy Fit Shower Tray onto an existing floorboard or chipboard floor, which cannot be breached. The tray can be sited directly onto the timber floor and used in conjunction with a gravity waste with the pipe work concealed beneath the tray.

Concrete



Low level access can be achieved if installing onto existing concrete floors. The Easy Fit Shower Tray can be sited directly onto the concrete or screed subfloor. The unique gravity waste can be installed allowing pipe work to be concealed beneath the tray.

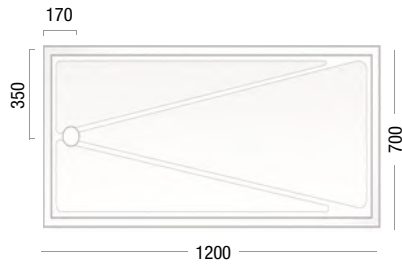
Easy Fit Shower Tray

Available Shower Doors:

**A B E F G H J L N O
P Q R R F S T U V W**

Waste position: Reversible

Size	Code Number
1200x700	P6820565

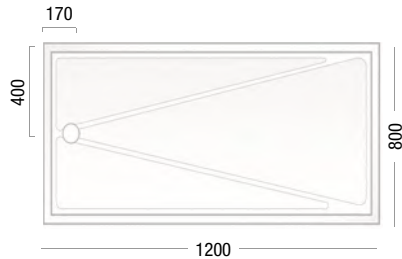


Available Shower Doors:

**A B E F G H J L N O
P Q R R F S T U V W**

Waste position: Reversible

Size	Code Number
1200x800	P6820567

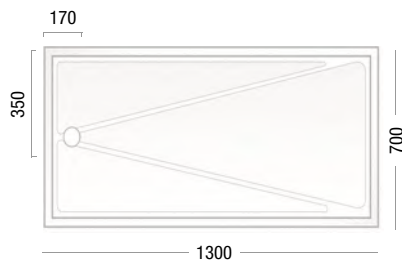


Available Shower Doors:

**A B E F G H J K M
N O P Q R R F S T U W**

Waste position: Reversible

Size	Code Number
1300x700	P6820566

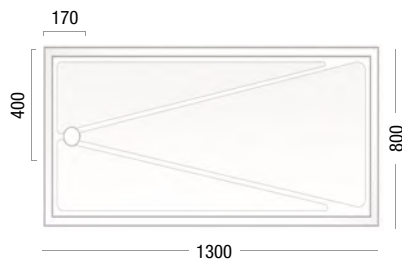


Available Shower Doors:

**A B E F G H J K M
N O P Q R R F S T U W**

Waste position: Reversible

Size	Code Number
1300x800	P6820568

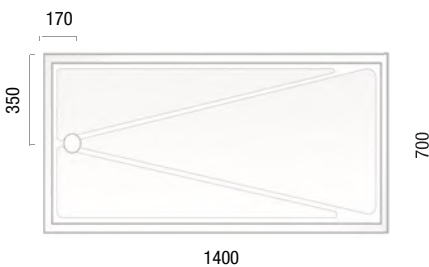


Available Shower Doors:

**B E F G H J K M N O P
Q R R F S T U W**

Waste position: Reversible

Size	Code Number
1400x700	P6820579

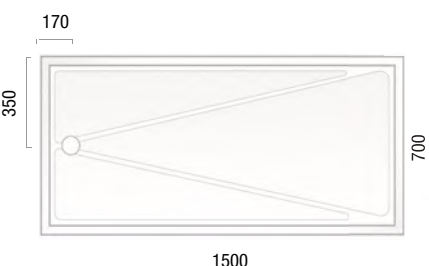


Available Shower Doors:

**B E F G H J K M N O P
Q R R F S T U W X Y**

Waste position: Reversible

Size	Code Number
1500x700	P6820578

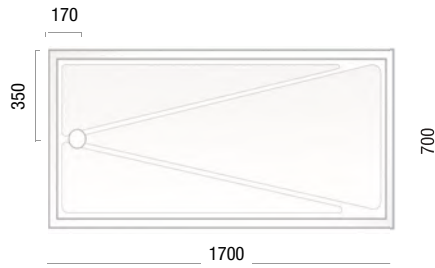


Available Shower Doors:

**B H J K M N O P Q
R R F S T U X Y**

Waste position: Reversible

Size	Code Number
1700x700	P6820569

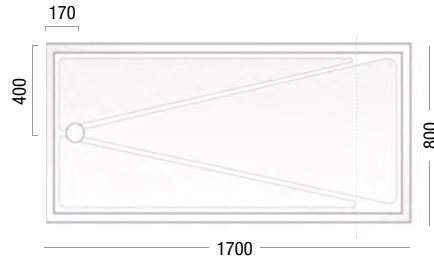


Available Shower Doors:

**B H J K M N O P Q R
R F S T U X Y**

Waste position: Reversible

Size	Code Number
1700x800	P6820570

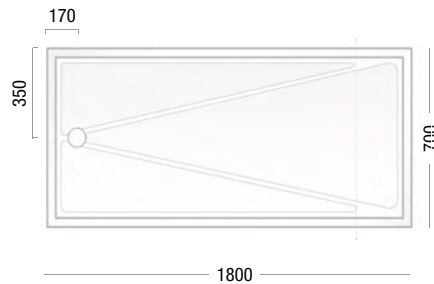


Available Shower Doors:

H M R R F S T X Y

Waste position: Reversible

Size	Code Number
1800x700	P6820571

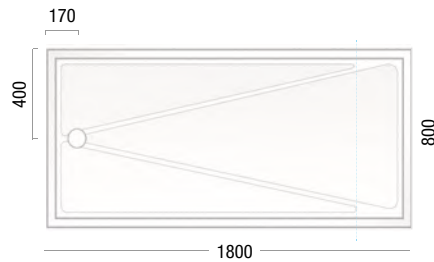


Available Shower Doors:

H M R R F S T X Y

Waste position: Reversible

Size	Code Number
1800x800	P6820572



The Easy Fit 1800mm tray can be cut down to a minimum of 1500mm as there are metal strengthening bars that cross the tray at 100mm intervals and comes complete with end panel section.



Cut down finishing cap section

This allows greater flexibility for onsite conditions and allows one tray to be provided for many different scenarios. e.g a 1560mm alcove can be catered for by cutting an 1800mm tray to the exact size required and then fixing the finished end panel section.



Suitable Drainage Options

Gravity waste system S2370502.

See page 95

Pumped waste systems

See pages 96 - 99



Trimline

Shower Tray

Our ultra modern 26mm slim profile shower tray with an attractive brilliant white finish and ant-microbial coating for hygiene and extra confidence. Perfect for creating an attractive, accessible showering area for wheelchair users or those requiring help assistance.



A stunning minimalistic look that is both practical and stylish. Sited into the floor and then tiling up to the edge, the future of wet room showering is created by a seamless transition from floor to shower tray.

Suitable for both our Pro-doors, and glass screens.

26mm in height and available in four sizes, dedicated centre waste outlet with a minimum flow rate of 24 litres per minute.

- 900 x 900mm
- 1200 x 900mm
- 1200 x 1200mm
- 1500 x 800mm



Features and Benefits:

- Durable brilliant white shower tray
- Suitable for low level installation on or into the floor
- Can be used on timber or concrete/ screeded floors.
- Waste position is centred
- Made from stone resin and recycled plastic
- Anti-microbial coating

Trimline's 26mm profile allows easy installation in or onto shower area, wood or concrete.



Low Level

Level Access

Centre Waste

Recycled Content

Anti Microbial

Installation

Timber



Shower tray

Tiled Flooring

Plywood

Floor boards

Concrete



Shower tray

Tiled Flooring

Screed

Solid concrete

The Trimline shower tray can be installed into an existing timber floor by removing the floorboards and setting the tray onto the joists and in-fill panels. The tray will then be brought level with the existing floor with Plastic Ply/plywood to make the whole shower room level. May also be placed directly on top of the existing floor.

Low level access can be achieved if installing onto existing concrete floors. Trimline tray can be sited directly onto the concrete or screed subfloor.

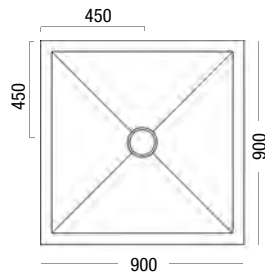
Trimline Shower Tray

Available Shower Doors:

A C D I L R R F S U V

Waste position: Centre

Size	Code Number
900x900	S2220180

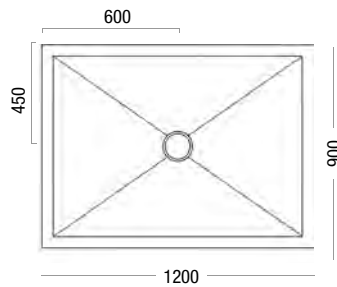


Available Shower Doors:

A B H L R R F S T U

Waste position: Centre

Size	Code Number
1200x900	S2220184

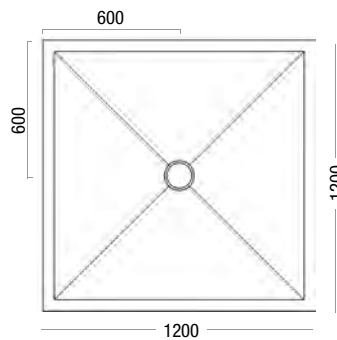


Available Shower Doors:

A B C D H I R R F S T U V

Waste position: Centre

Size	Code Number
1200x1200	S2220181

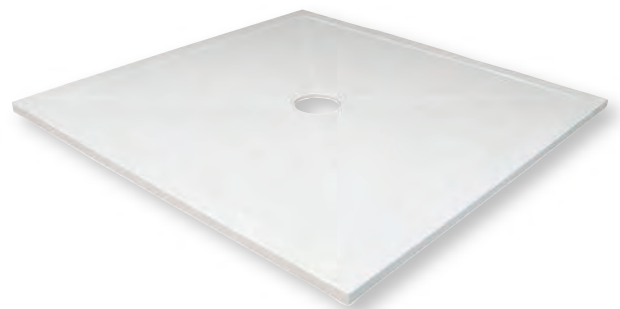
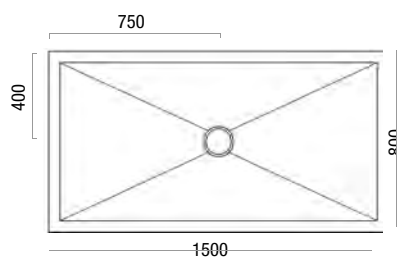


Available Shower Doors:

**B E F G H J K M N
O P Q R R F S T U W X Y**

Waste position: Centre

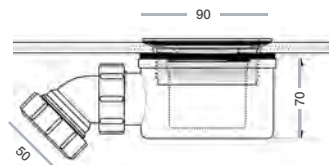
Size	Code Number
1500x800	S2220182



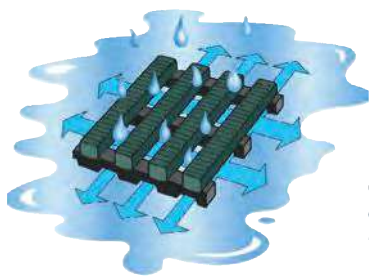
Waste Trap - for Trimline Shower Trays

Flow rate minimum 24 litres per min

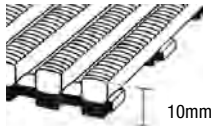
This minimalistic shower gulley is designed to fit flush within the trimline tray so as to give a seamless connection across the base of the tray. 90mm shower trap with a 50mm seal.



Product	Code Number
Waste Trap	S2220183

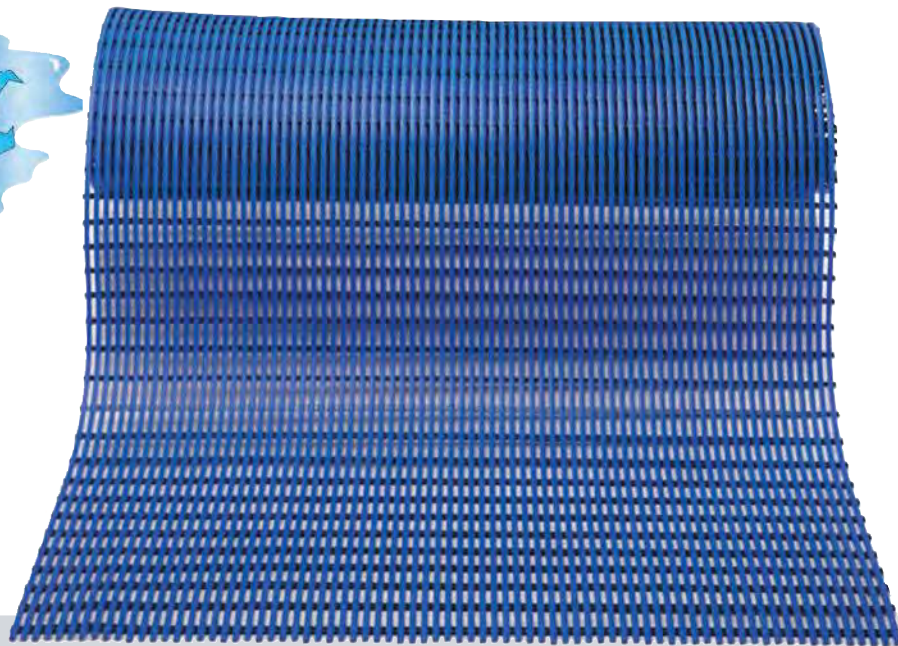


Four way drainage system



10mm

Weight 5.5g/m²



Phlexi-Mat

Shower Mat

With its slip resistant surface, our resilient Phlexi-Mat solution helps cushion falls, helping to reduce serious injuries. The Phlexi-Mat is made from strong, flexible PVC sections with channelled underbars for increased drainage of large amounts of water. With its embossed, slip resistant surface and sanitized anti-bacterial and anti-fungal additives, Phlexi-Mat is ideal for showering areas in commercial and domestic environments.



Phlexi-Mat is perfect for use both internally and externally for barefoot traffic. The matting is hygienic, warm and comfortable to stand on, and easy to clean and maintain. It is easily cut to shape and can be installed in minutes without the use of fixing tools.

The four way drainage system assists speedy clearance of waste water.

Phlexi-Mat contains anti-microbial protection* which will protect against bacterial and fungal attack or rotting. It also hinders the growth of algae and helps prevent microbially caused discolouration.

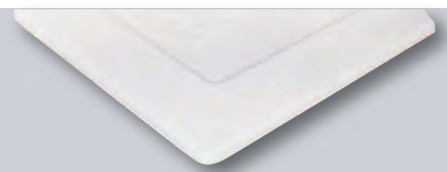
The mat is coloured throughout and can be cut to size to suit all of the Phlexicare shower trays**. Alternatively, it can be ordered in rolls of 10m.

*Anti bacteria-sanitized additive:

Test SN195 920-Determination of the anti bacterial effect against Staphylococcus aureus ATCC 6538. Result- Nil growth

**The Flush Fit trays come complete with a Phlexi-Mat

Code	Colour	Height	Length	Width
P6821876	Red	10mm	10 Metres	1 Metre
P6821877	White	10mm	10 Metres	1 Metre
P6821878	Blue	10mm	10 Metres	1 Metre



Flush Fit

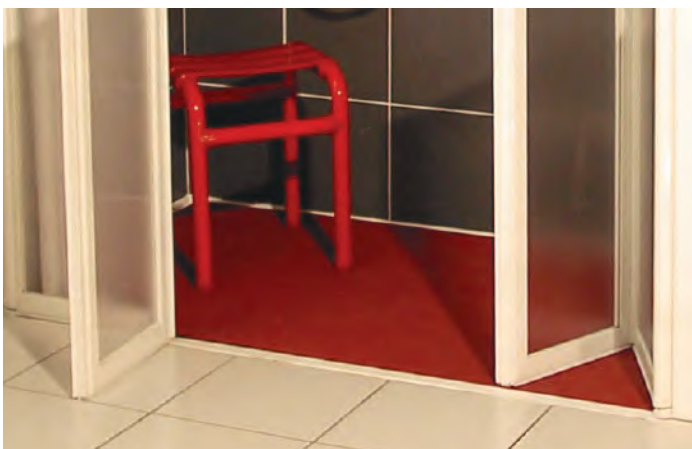
Shower Tray

The Flush Fit Shower Tray is a unique, alternative option of achieving level access showering and offering the highest degree of slip resistance. The integrated slip resistant mat allows speedy clearance of waste water.

This exclusive system comes complete with a flush fitting tray and integrated slip resistant mat in red, white or blue, raising the user clear of surface water. The mat is comfortable, lightweight, flexible, easy to keep clean and ideal for the partially sighted as colour contrast can be achieved.

A 4-way drainage system assists speedy clearance of waste water. Both the mat and tray contain anti-microbial protection which will protect against bacterial and fungal attack or rotting, hinder the growth of algae and help prevent microbially caused discolouration. It is available in a wide range of sizes to suit all bathrooms and is ideal for use with our Pro Doors.

With a slimline shower tray base, Flush Fit provides an ideal option when it comes to functional level access showering. Combined with our many Pro-door options, the two products complement each other to provide a clean stylish finish to the showering area.

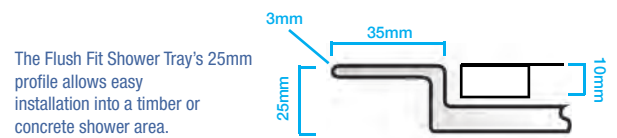




Features and Benefits:

- Durable brilliant white slip resistant base
- 50mm tiling upstand
- Gel coated for hard wearing and ease of cleaning
- Fully encapsulated board structure for increased stability and comfortable handling
- Suitable for level access or low level access
- Waste outlet suitable for gravity, Phlexiflow and Hydro-Flow pumped waste systems
- Waste is uncut
- Waste position right/left or rear corner
- Comfortable, warm slip resistant mat, keeps the user out of the waste water
- Slip resistant base when mat removed
- Wells silver ion content to stop bacteria growth

The flooring would be butted against the edge of the Flush Fit tray and joined with a suitable flexible sealant. Alternatively vinyl flooring may be let under the front lip.



Low Level



Level Access



Handed Waste



Slip Resistant



Recycled Content



Anti Microbial



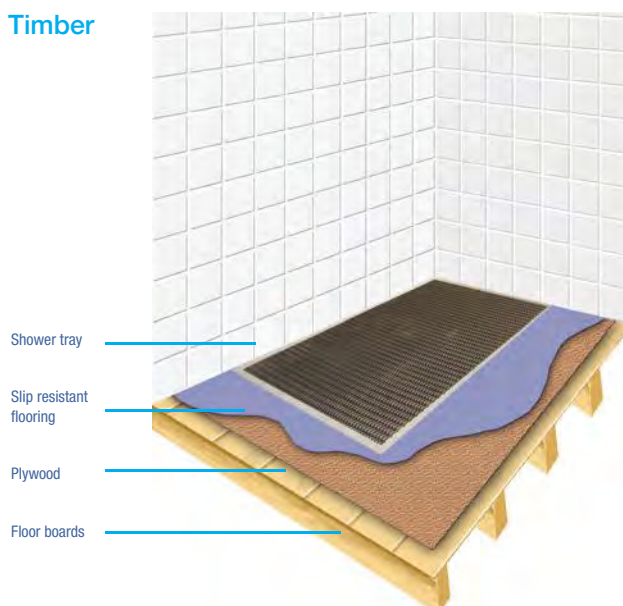
Integral Tile Upstand



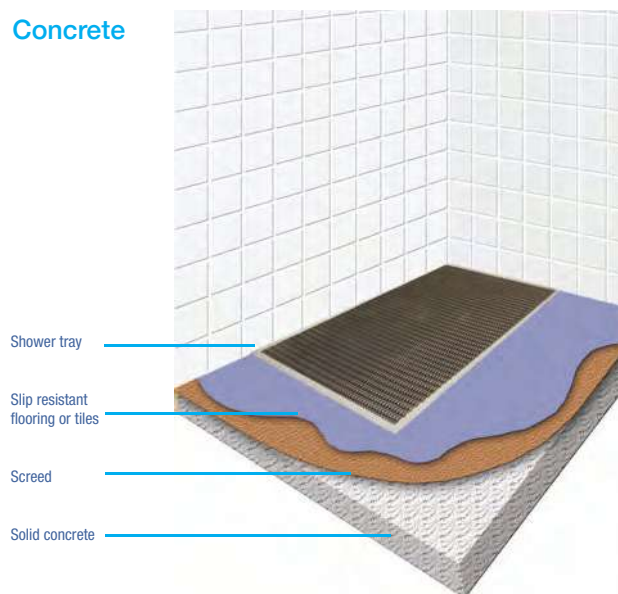
Lifetime Warranty

Installation

Timber



Concrete



The Flush Fit system can be installed into an existing timber floor by removing the floorboards and setting the tray onto the joists and in-fill panels. The tray can then be brought level and when all pipe work is complete the whole shower room floor can be covered with a suitable vinyl flooring.

The Flush Fit system can be installed into an existing concrete floor by removing the screed and setting the tray to leave it level with the remainder of the shower room floor. When all pipework is complete the whole shower room floor area can be covered with a suitable vinyl or tile flooring.

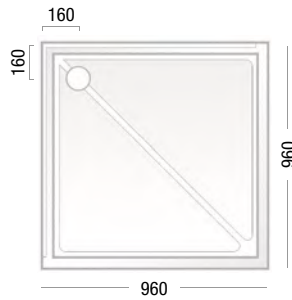
Flush Fit Shower Tray

Available Shower Doors:

D L R R F

Waste position: Rear Corner

Size	Colour	Code Number
960x960	White	P6821860
960x960	Red	P6821861
960x960	Blue	P6821862

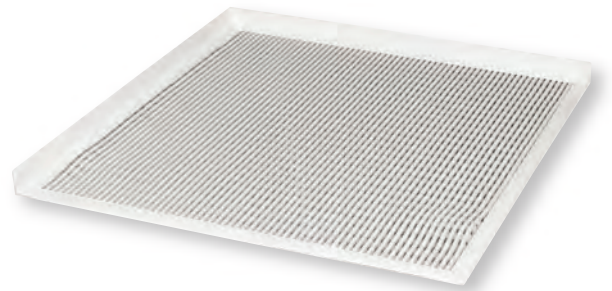
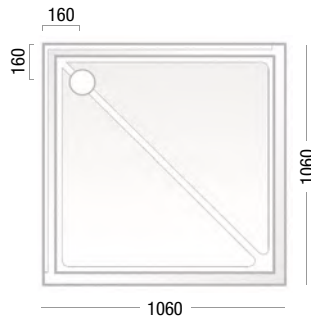


Available Shower Doors:

D L R R F

Waste position: Rear Corner

Size	Colour	Code Number
1060x1060	White	P6821865
1060x1060	Red	P6821866
1060x1060	Blue	P6821867

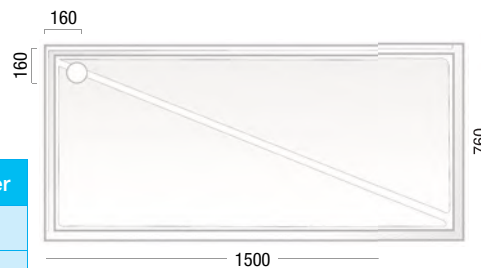


Available Shower Doors:

E F G R R F

Waste position: Left, Rear Corner

Size	Colour	Code Number
1500x760	White	P6821840
1500x760	Red	P6821841
1500x760	Blue	P6821842

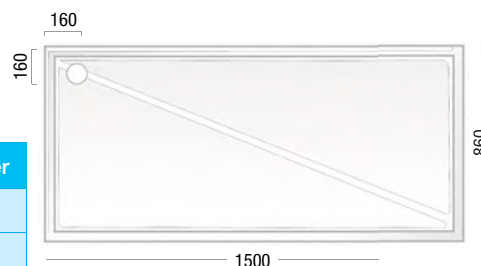


Available Shower Doors:

E F G R R F

Waste position: Left, Rear Corner

Size	Colour	Code Number
1500x860	White	P6821850
1500x860	Red	P6821851
1500x860	Blue	P6821852

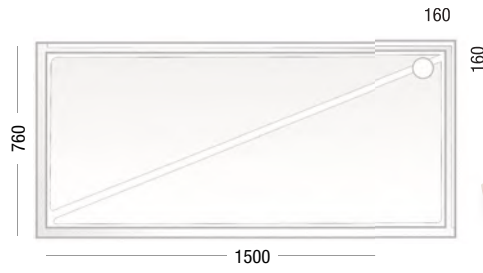


Available Shower Doors:

E F G R R F

Waste position: Right, Rear Corner

Size	Colour	Code Number
1500x760	White	P6821845
1500x760	Red	P6821846
1500x760	Blue	P6821847

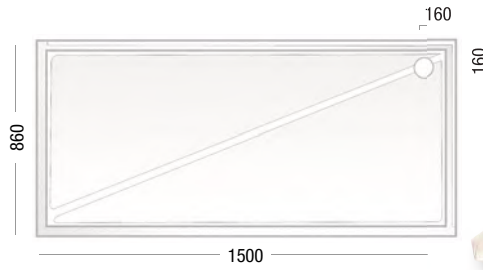


Available Shower Doors:

E F G R R F

Waste position: Right, Rear Corner

Size	Colour	Code Number
1500x860	White	P6821855
1500x860	Red	P6821856
1500x860	Blue	P6821857



Suitable Drainage Options

Gravity waste system S2370502.
See page 96

Pumped waste systems
See pages 96 - 99



Floor Line

Shower Tray

Our Floor Line Shower Tray offers an accessible showering solution to those who require assistance in the showering area. The tray is made from heavy GRP construction for strength and durability ensuring confidence in quality. The tray is handed with a left or right corner waste for flexibility and a tiling lip on two edges which provides a tiling guide to ensure an anti-leak system when a level access finish is required.



Ideal for installation into either a timber floor, or bedded into an existing concrete floor. With a durable brilliant white slip-resistant base, the Floor Line Shower Tray is an ideal option for achieving level access.

When used with our Pro-door, half height shower door options, this provides a totally clean and stylish look to a shower room. Floor line Shower Trays are available in a wide range of sizes to suit all bathrooms and are suitable for gravity or Phlexiflow pumped wastes.



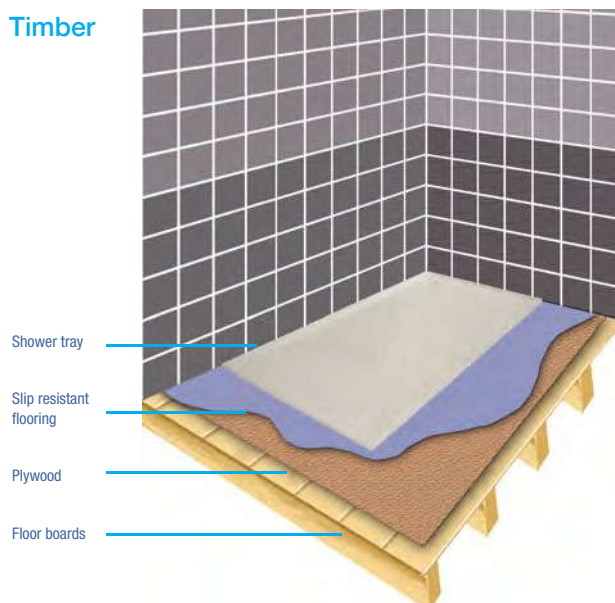
Features and Benefits:

- Durable brilliant white slip resistant base
- 50mm tiling upstand incorporated within the tray
- Gel coated for hard wearing and ease of cleaning
- Fully encapsulated board structure for increased stability and comfortable handling
- Suitable for level and low access
- Waste outlet suitable for gravity, Phlexiflow and Hydro-Flow pumped systems, including top exit
- Waste position right/left rear corner
- Waste uncut
- Wells silver ion content to stop bacteria growth



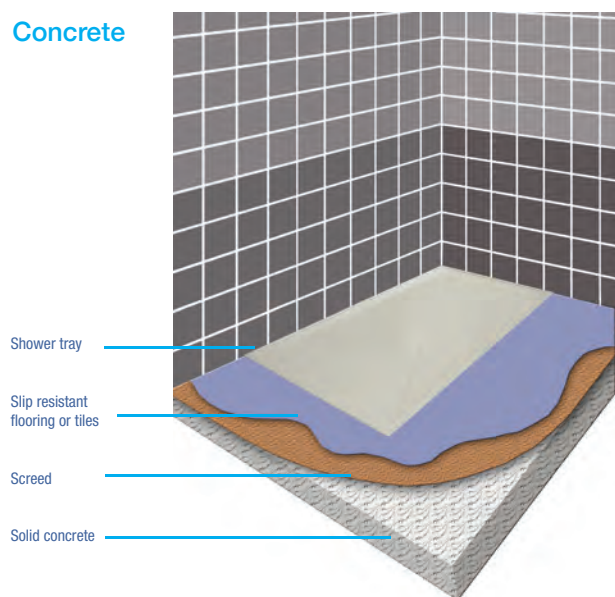
Installation

Timber



The Floor Line system can be installed into an existing timber floor by removing the floorboards and setting the tray onto the joists and in-fill panels. The tray will then be brought level with the existing floor with plywood to make the whole shower room level.

Concrete



The Floor Line system can be installed into an existing concrete floor by removing the screed. When all pipework is complete the shower room floor area can be covered with a suitable vinyl or tile flooring. The flooring should be butted against the edge of the Floor Line tray and joined with a suitable flexible sealant.

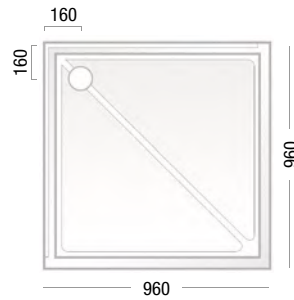
Floor Line Shower Tray

Available Shower Doors:

D L R R F

Waste position: Rear Corner

Size	Code Number
960x960	P6821870

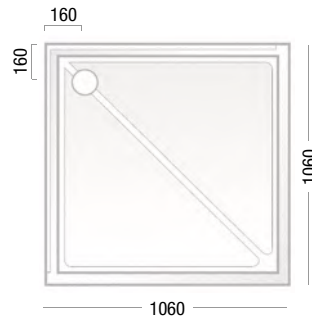


Available Shower Doors:

D L R R F

Waste position: Rear Corner

Size	Code Number
1060x1060	P6821871

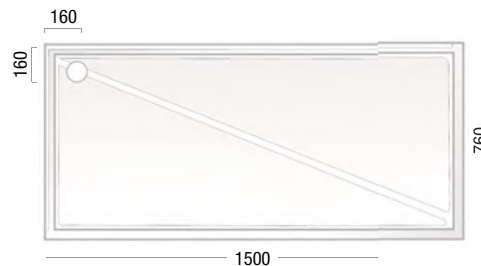


Available Shower Doors:

E F G R R F

Waste position: Left, Rear Corner

Size	Code Number
1500x760	P6821874

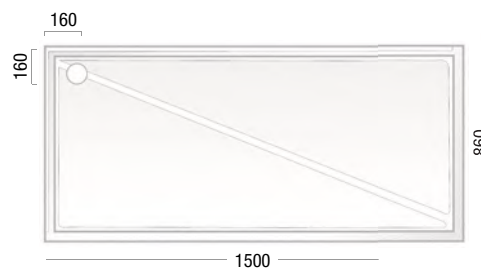


Available Shower Doors:

E F G R R F

Waste position: Left, Rear Corner

Size	Code Number
1500x860	P6821872

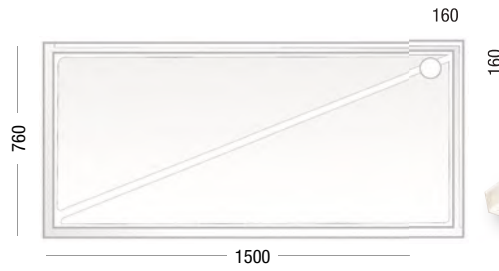


Available Shower Doors:

E F G R R F

Waste position: Right, Rear Corner

Size	Code Number
1500x760	P6821875

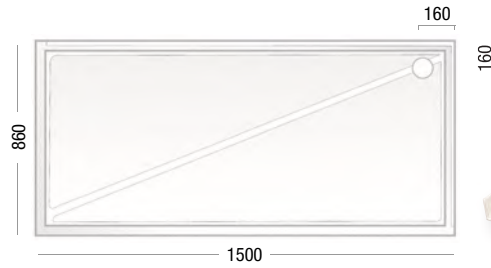


Available Shower Doors:

E F G R R F

Waste position: Right, Rear Corner

Size	Code Number
1500x860	P6821873



Suitable Drainage Options

Gravity waste system S2370502.
See page 95

Pumped waste systems
See pages 96 - 99



Nova

Low Profile Shower Tray

Our collection of Nova, low profile, shower trays is one of our most attractive, sophisticated looking ranges with a minimalist appeal that immitates a sought after wet room, but with the reassurance of a visible shower tray. The architecture of the clean lines and low profile makes Nova the ideal choice for users that require accessibility and an inclusive, minimalist design.



Nova low profile trays consist of 45mm high trays manufactured from cast resin stone for the ultimate in durability. Ideal for use with approved power shower systems, accepting a flow rate of 25 litres per minute.

The product is manufactured from ABS capped acrylic stone resin and double skinned for extra strength and durability.

The optional tile upstand feature helps to create a watertight enclosure, be it a new or existing installation.





Features and Benefits:

- Durable brilliant white finish
- Option of tiling upstand
- Gel coated for hard wearing and ease of cleaning
- Suitable for level and low access
- Waste position right/left or rear corner
- Anti-microbial content to stop bacteria growth
- Resin stone construction for added strength
- Pumped wate option available
- Riser kit available for unbreachable floor installation



Low Level



Level Access



Handed Waste



Recycled Content



Anti Microbial



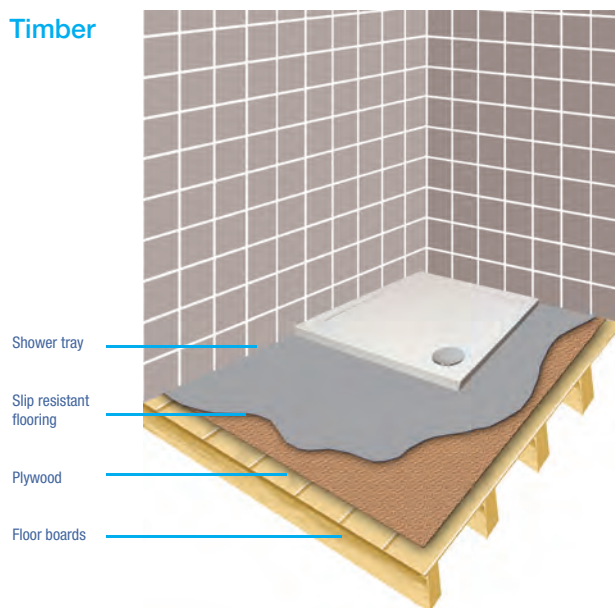
Optional
Tile Upstand



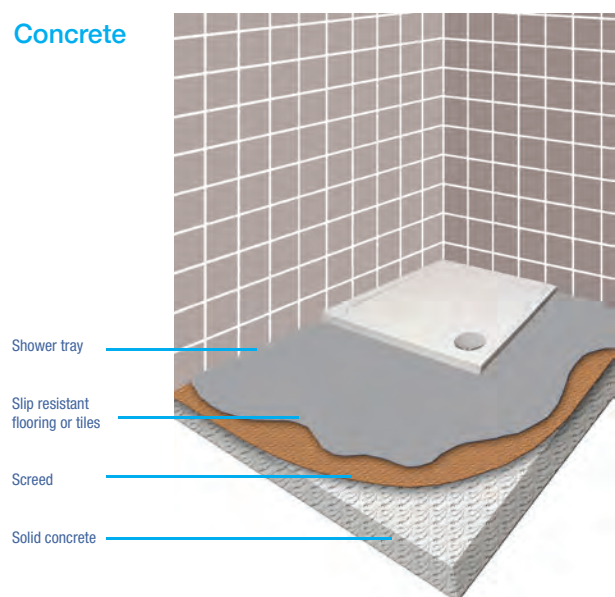
Lifetime
Warranty

Installation

Timber



Concrete



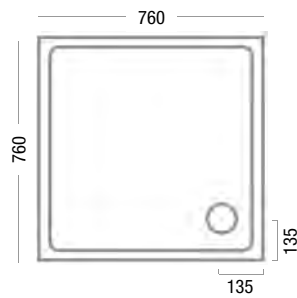
The Nova Low Profile Shower Tray can be sited directly onto the timber floor for low level access or alternatively the boarding can be removed and the tray sunk into the floor. With a combination of plywood and the preferred finished flooring, level access can be achieved.

The Nova Low Profile Shower Tray can be sited directly onto the screed for low level access or alternatively the screed can be removed and the tray sunk into the floor for level access.

Nova Low Profile Shower Tray

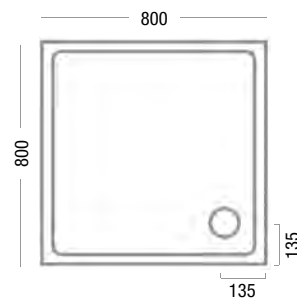
Waste position: Rear Corner

Size	Code Number
760x760	S2220116



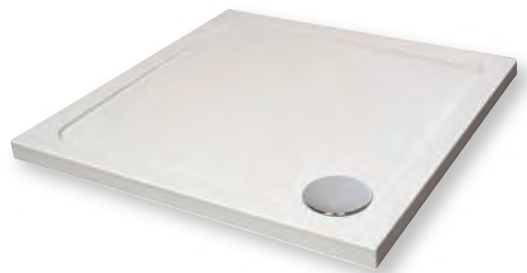
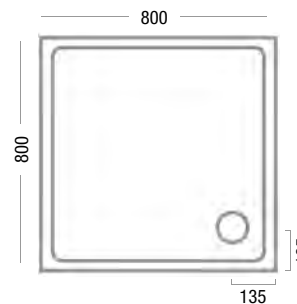
Waste position: Rear Corner

Size	Code Number
800x800	S2220117



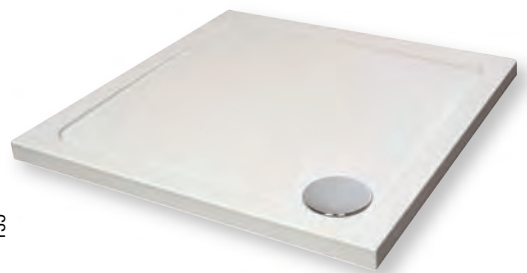
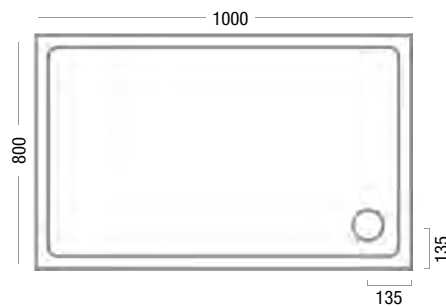
Waste position: Rear Corner

Size	Code Number
900x900	S2220118



Waste position: Rear Corner

Size	Code Number
1000x800	S2220119



Anti Slip Coating

A colourless application which can be ordered factory applied or in a kit and applied to any existing shower tray or bath to create a non-slip surface whilst retaining a premium look. Class C, independently tested solution. Anti-slip coating coverage 1.2m²

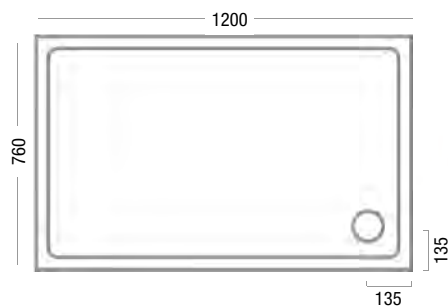
Product	Coverage	Code Number
Anti slip coating	1.2m ²	S2220152



Nova Low Profile Shower Tray

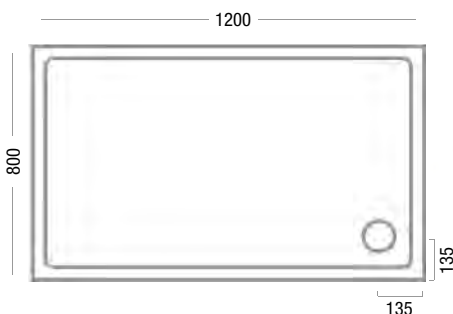
Waste position: Rear Corner

Size	Code Number
1200x760	S2220120



Waste position: Rear Corner

Size	Code Number
1200x800	S2220121



other sizes available on request

Nova Low Profile Leg Set

Product	Code Number
Leg set	S2220126
Flexi upstand	S2220130



Suitable Drainage Options

Gravity waste systems
use S2220129

Pumped waste systems
use P6821631

Sylglas Anti Slip Strips and Discs

Anti-slip adhesive strips and discs available in clear and white. Stops potential slips in barefoot wet areas and is suitable for bathrooms, swimming pools, health clubs etc.

60 self adhesive discs per pack (40mm diameter) 28 self adhesive strips per roll (200mm x 20mm)

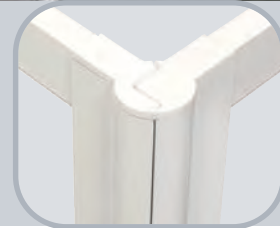
Product	Colour	Code Number
Anti slip strips	Clear	P6821992
Anti slip strips	White	P6821993
Anti slip discs	Clear	P6821994
Anti slip discs	White	P6821995





Pro-Doors

Shower Door System

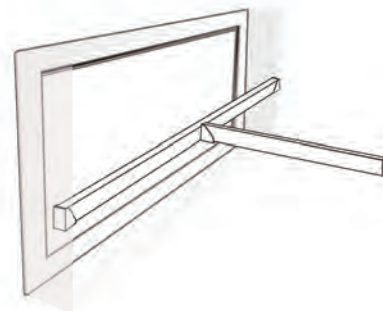


Our half height Pro-Door system enables easy level access for family members and carers. Our quality constructed, half height shower door system is available in a variety of configurations and sizes for use in wet rooms and shower areas.

Pro-doors are manufactured to a high standard using a robust aluminium frame that ensures the highest level of safety, reliability and confidence. The product incorporates stylish, rounded profiles offering a complete white clean finish to all component parts. This versatile system is available in many configurations to maximize space and suit the user's needs. Door styles for both front and corner entry are available in single folding doors, sliding doors, bi-folding doors, tri-folding doors and fixed panel options. An extended compensator is available which allows a further 35mm adjustment (total 65mm). Doors are available as half height (750mm) as standard although bespoke sizes can be made to order. The fixed panel options are supplied with 2500mm uprights complete with wall compensators, to allow fixing to both the tray, floor and ceiling. Our Pro-door system is compatible with most trays and wet floor installations in the catalogue.



This adaptor allows the floor to ceiling post (H section) to be taken across the top of the shower area and be securely fixed to an upright wall. Ideal for where the ceiling is too high or when a suitable fixing position cannot be guaranteed.



The simple addition of our Window Spanning Kit allows a wall fixing for a shower curtain track, or a wall bracket from one of our Pro-door options, to be fixed where a window would otherwise obstruct their installation. Our Window Spanning Kit also doubles up as a curtain track, with hooks and gliders.

Product	Code Number
Return to Wall Kit / 1m of H Section	90° P6832398

Product	Code Number
Extended Compensator for Trays 35mm	P6833775
Extended Compensator for Wet Floor 35mm	P6833776

Product	Colour	Code Number
Window Spanning Kit 1.5m	White	P6833790

Product	Code Number
Wet Floor Compensator	P6832525
Standard Tray Compensator	P6829039
Spares	P6832350-58



Standard size and made to measure Pro-doors are now available in silver. Please contact us for more details.



3 Point White Seal



Labyrinth Joint System



Rising Butt Hinge



Locking System



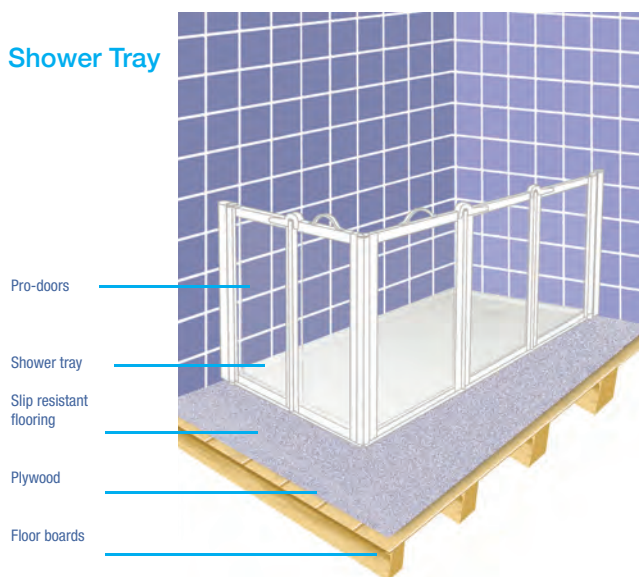
Lifetime Warranty

Features and benefits:

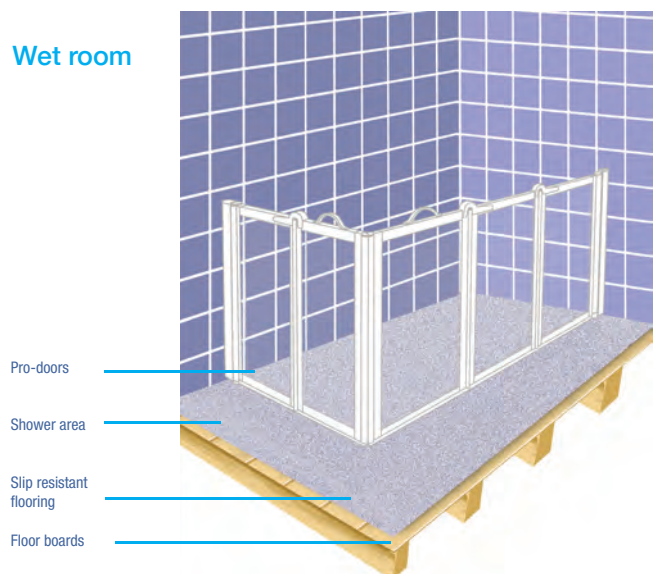
- 2 elongated holes to connect compensator to wall, this allows 7½° of adjustment to assist straight install
- Compensator has 30mm of adjustment, this allows adjustment to overcome any wall imperfections
- Extended compensator available (65mm adjustable)
- Simple, single screw locking system within the door and compensator to grip the doors into position
- Can be installed and adjusted by one person
- Improved strengthened rounded hinge. Stylish and safe (no sharp edges)
- Aluminium box construction. Strong, hard wearing
- Clean, white corner pieces rubber panel seals
- P.E.T.G. (Police riot shield material) panel strong & safe, will not break into shards
- Rounded bi-fold door locking system stylish & safe (no sharp edges)
- Labyrinth seals between bi-fold & doors, stopping water ingress
- Each door has 8 concealed neodymium magnets for a strong seal (no unsightly black strips)
- 3 Way seal on base of doors for excellent water seal
- Rising butt hinge has an extended foot that is secured for extra stability to the tray or former
- Rapid rise and fall hinge system stops wear on seal and allows easy movement of doors
- Each set of doors is supplied with a curtain rail and curtain(s)
- Improved strengthened in hinges

Installation

Shower Tray



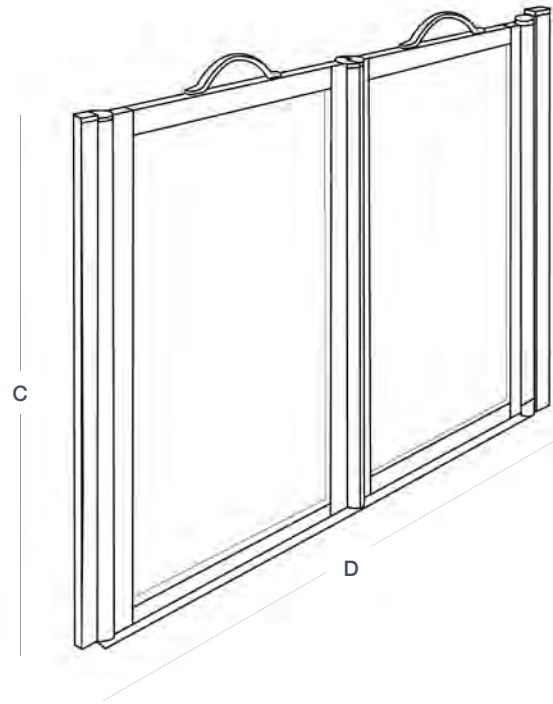
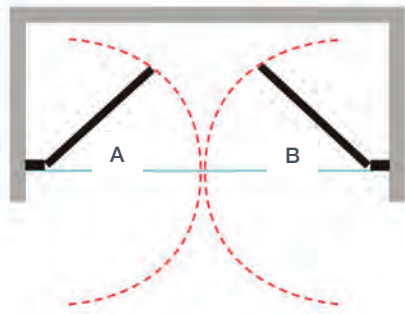
Wet room



Most Pro-doors can be opened both inwards and outwards, this will allow water droplets to fall onto the shower tray rather than on the floor. Pro-doors are not recommended in installations where power showers or outlets produce a large volume of water. It is therefore important to give some consideration as to the most appropriate positioning of the wall posts and doors. This will ensure maximum water retention within the showering area. Where Pro doors are being installed into a wet room, the choice of curved or straight wall compensators should be considered depending on whether the floor covering such as vinyl will be fitted into tile capping at 100mm from the floor.

Option: Pro- Doors - Front entry single doors

A

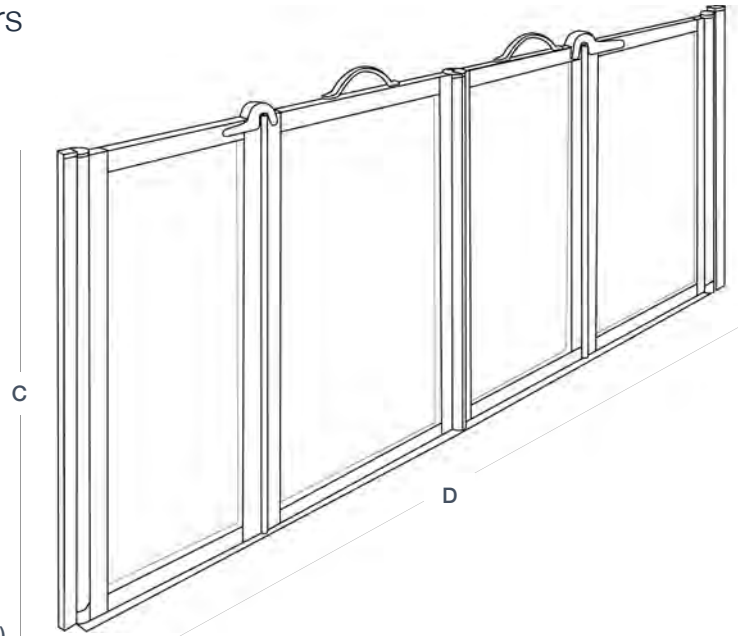
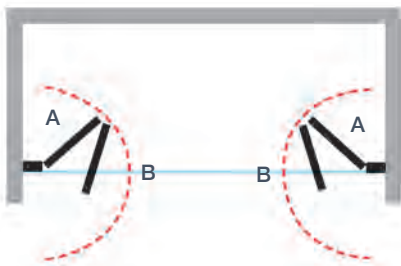


Each door set is supplied with a curtain rail and curtain(s).

Tray Size	A	B	C	D	To Suit Tray	To Suit Wet Floor
800	381	381	750	762 - 822	P6832160	
900	431	431	750	862 - 922	P6832161	P6832870
1000	481	481	750	962 - 1022	P6832162	P6832871
1135	552	552	750	1104 - 1164		P6832872
1200	581	581	750	1162 - 1222	P6832081	P6832873
1300	631	631	750	1262 - 1322	P6832165	P6832874

Option: Pro-doors - Front entry bi-fold doors

B



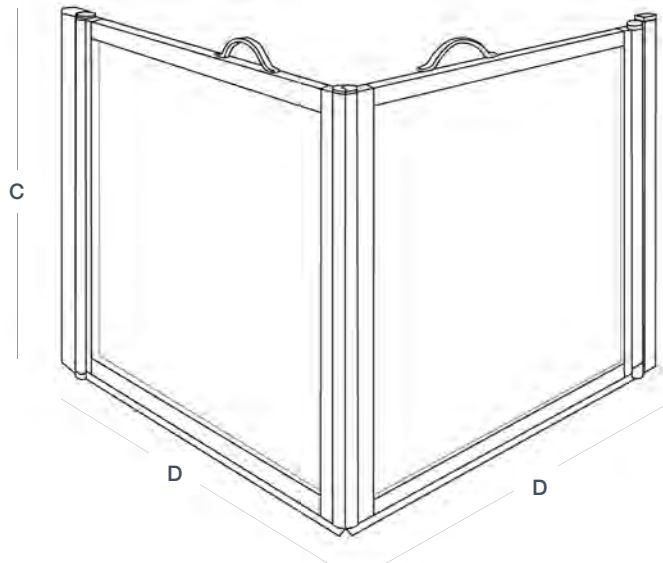
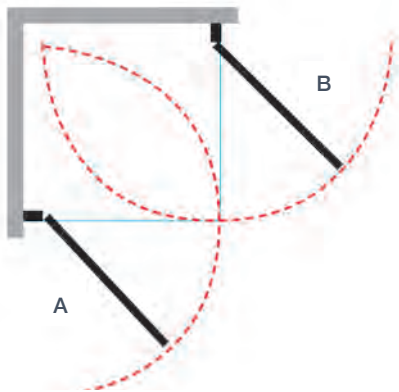
Each door set is supplied with a curtain rail and curtain(s).

Tray Size	A	B	C	D	To Suit Tray	To Suit Wet Floor
1135	326	232	750	1116 - 1176		P6832875
1200	340	237	750	1154 - 1214	P6832083	P6832876
1300	365	262	750	1254 - 1314	P6832166	P6832877
1400	390	287	750	1354 - 1414	P6832386	P6832878
1500	415	312	750	1454 - 1514	P6832181	P6832879
1600	440	337	750	1554 - 1614	P6832060	P6832880
1700	465	362	750	1654 - 1714	P6832174	P6832881

Pro-doors - Corner entry single doors

Option:

C



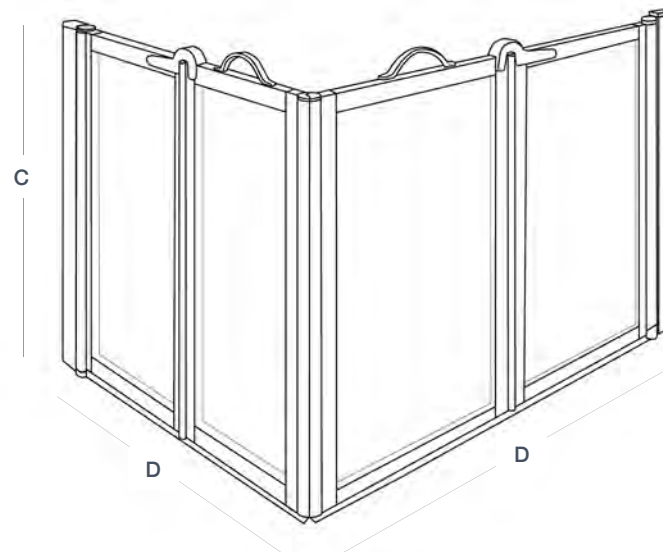
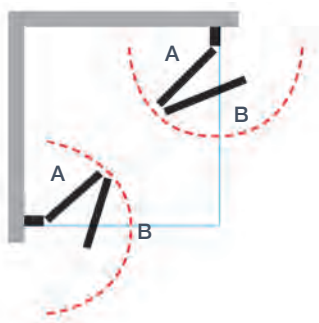
Each door set is supplied with a curtain rail and curtain(s).

Tray Size	A	B	C	D	To Suit Tray	To Suit Wet Floor
800 x 800	772	772	750	772 - 802	P6832169	P6832882
900 x 900	872	872	750	872 - 902	P6832167	P6832883
1000 x 1000	972	972	750	972 - 1002	P6833770	P6832884
1200 x 1200	1172	1172	750	1172 - 1202	P6833771	P6832885

Pro-doors - Corner entry bi-fold doors

Option

D

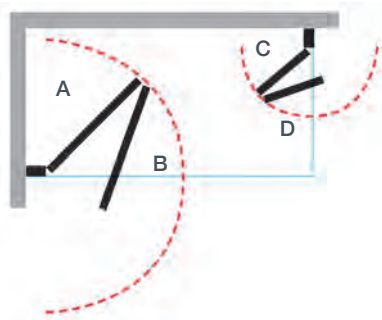


Each door set is supplied with a curtain rail and curtain(s).

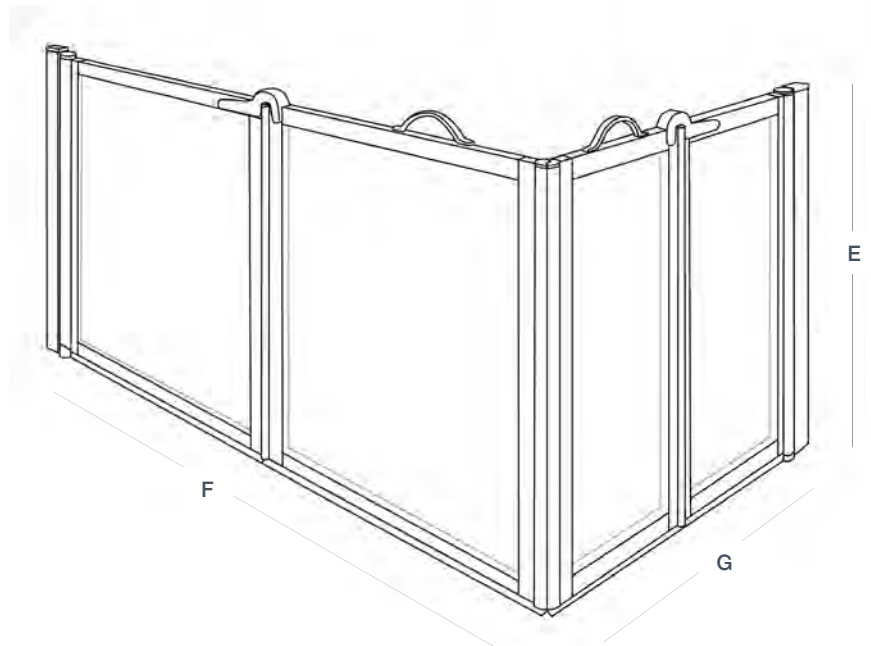
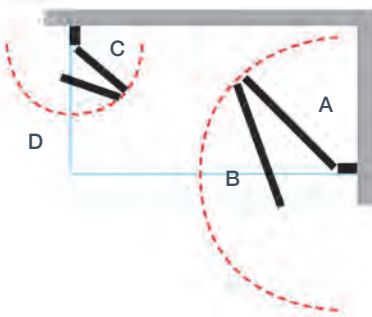
Tray Size	A	B	C	D	To Suit Tray	To Suit Wet Floor
800 x 800	434	340	750	774 - 804	P6832811	
900 x 900	478	384	750	862 - 892	P6832228	P6832886
960 x 960	503	409	750	912 - 942	P6832488	
1000 x 1000	528	434	750	962 - 992	P6832229	P6832887
1060 x 1060	553	459	750	1012 - 1042	P6832489	
1200 x 1200	628	534	750	1162 - 1192	P6832230	P6832888

Pro-doors - Corner entry bi-fold doors

Left Hand



Right Hand



Left Hand Illustrated

Left Hand

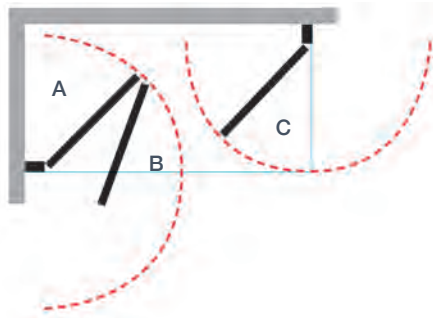
Tray Size	A	B	C	D	E	F	G	To Suit Tray	To Suit Wet Floor
1135 x 770	601	507	417	323	750	1108 - 1138	740 - 770		P6832168
1200 x 700	634	540	384	290	750	1174 - 1204	674 - 704	P6832812	
1200 x 800	634	540	434	340	750	1174 - 1204	774 - 804	P6832814	
1300 x 700	684	590	384	290	750	1274 - 1304	674 - 704	P6832816	
1300 x 800	684	590	434	340	750	1274 - 1304	774 - 804	P6832516	P6832890
1400 x 700	734	640	384	290	750	1374 - 1404	674 - 704	P6832818	
1400 x 800	734	640	434	340	750	1374 - 1404	774 - 804	P6832820	
1400 x 900	734	640	484	390	750	1374 - 1404	874 - 904	P6832521	P6832892
1500 x 700	784	690	384	290	750	1474 - 1504	674 - 704	P6832822	
1500 x 760	784	690	414	320	750	1474 - 1504	734 - 764	P6832484	
1500 x 800	784	690	434	340	750	1474 - 1504	774 - 804	P6832523	P6832894
1500 x 860	784	690	464	370	750	1474 - 1504	834 - 864	P6832486	
1600 x 700	834	740	384	290	750	1574 - 1604	674 - 704	P6832824	
1600 x 800	834	740	434	340	750	1574 - 1604	774 - 804	P6832826	

Right Hand

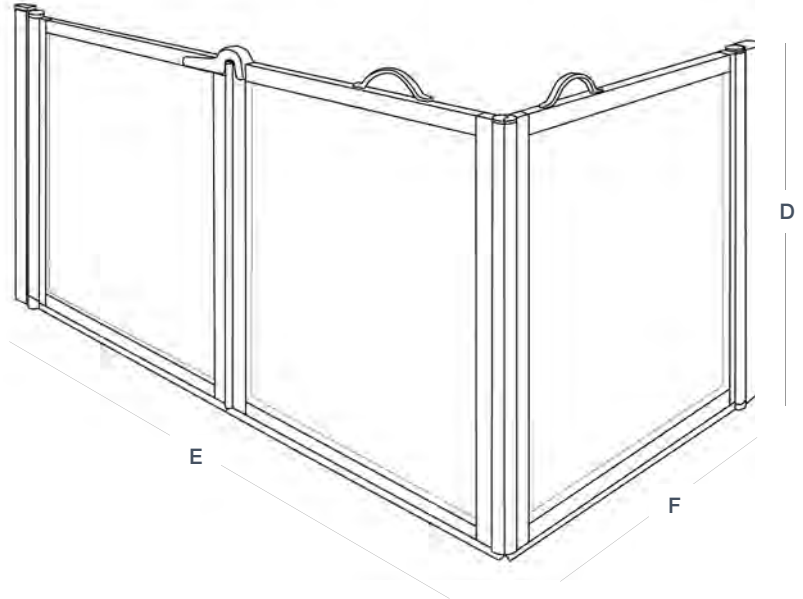
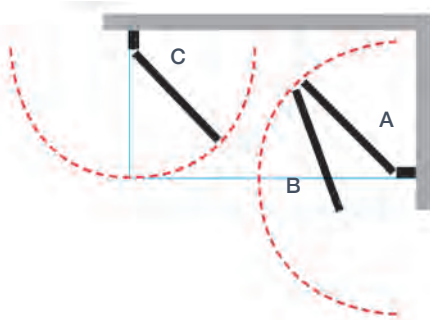
Tray Size	A	B	C	D	E	F	G	To Suit Tray	To Suit Wet Floor
1135 x 770	601	507	417	323	750	1108 - 1138	740 - 770		P6832164
1200 x 700	634	540	384	290	750	1174 - 1204	674 - 704	P6832813	
1200 x 800	634	540	434	340	750	1174 - 1204	774 - 804	P6832815	
1300 x 700	684	590	384	290	750	1274 - 1304	674 - 704	P6832817	
1300 x 800	684	590	434	340	750	1274 - 1304	774 - 804	P6832517	P6832891
1400 x 700	734	640	384	290	750	1374 - 1404	674 - 704	P6832819	
1400 x 800	734	640	434	340	750	1374 - 1404	774 - 804	P6832821	
1400 x 900	734	640	484	390	750	1374 - 1404	874 - 904	P6832522	P6832893
1500 x 700	784	690	384	290	750	1474 - 1504	674 - 704	P6832823	
1500 x 760	784	690	414	320	750	1474 - 1504	734 - 764	P6832485	
1500 x 800	784	690	434	340	750	1474 - 1504	774 - 804	P6832524	P6832895
1500 x 860	784	690	464	370	750	1474 - 1504	834 - 864	P6832487	
1600 x 700	834	740	384	290	750	1574 - 1604	674 - 704	P6832825	
1600 x 800	834	740	434	340	750	1574 - 1604	774 - 804	P6832827	

Each door set is supplied with a curtain rail and curtain(s).

Left Hand



Right Hand



Left Hand Illustrated

Left Hand

Tray Size	A	B	C	D	E	F	To Suit Tray	To Suit Wet Floor
1135 x 770	601	507	746	750	1108 - 1138	746 - 776		P6832900
1200 x 700	634	540	674	750	1174 - 1204	674 - 704	P6832085	
1200 x 800	634	540	774	750	1174 - 1204	774 - 804	P6832087	
1300 x 700	684	590	674	750	1274 - 1304	674 - 704	P6832170	
1300 x 800	684	590	774	750	1274 - 1304	774 - 804	P6832089	P6832902
1400 x 700	734	640	674	750	1374 - 1404	674 - 704	P6832100	
1400 x 800	734	640	774	750	1374 - 1404	774 - 804	P6832091	
1400 x 900	734	640	874	750	1374 - 1404	874 - 904		P6832904
1500 x 700	784	690	674	750	1474 - 1504	674 - 704	P6832101	
1500 x 760	784	690	734	750	1474 - 1504	734 - 764	P6832828	
1500 x 800	784	690	774	750	1474 - 1504	774 - 804	P6832093	P6832906
1500 x 860	784	690	834	750	1474 - 1504	834 - 864	P6832830	
1600 x 700	834	740	674	750	1574 - 1604	674 - 704	P6832102	
1600 x 800	834	740	774	750	1574 - 1604	774 - 804	P6832095	

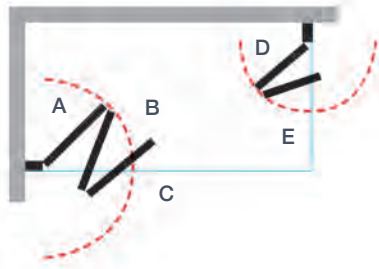
Right Hand

Tray Size	A	B	C	D	E	F	To Suit Tray	To Suit Wet Floor
1135 x 770	601	507	746	750	1108 - 1138	746 - 776		P6832901
1200 x 700	634	540	674	750	1174 - 1204	674 - 704	P6832086	
1200 x 800	634	540	774	750	1174 - 1204	774 - 804	P6832088	
1300 x 700	684	590	674	750	1274 - 1304	674 - 704	P6832171	
1300 x 800	684	590	774	750	1274 - 1304	774 - 804	P6832090	P6832903
1400 x 700	734	640	674	750	1374 - 1404	674 - 704	P6832110	
1400 x 800	734	640	774	750	1374 - 1404	774 - 804	P6832092	
1400 x 900	734	640	874	750	1374 - 1404	874 - 904		P6832905
1500 x 700	784	690	674	750	1474 - 1504	674 - 704	P6832111	
1500 x 760	784	690	734	750	1474 - 1504	734 - 764	P6832829	
1500 x 800	784	690	774	750	1474 - 1504	774 - 804	P6832094	P6832907
1500 x 860	784	690	834	750	1474 - 1504	834 - 864	P6832831	
1600 x 700	834	740	674	750	1574 - 1604	674 - 704	P6832112	
1600 x 800	834	740	774	750	1574 - 1604	774 - 804	P6832096	

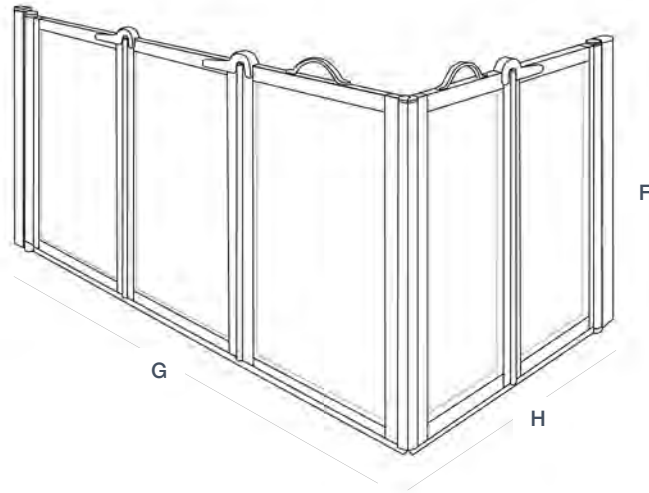
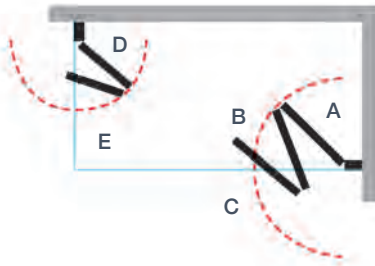
Each door set is supplied with a curtain rail and curtain(s).

Pro-doors - Corner entry tri-fold/bi-fold doors

Left Hand



Right Hand



Left Hand Illustrated

Left Hand

Tray Size	A	B	C	D	E	F	G	H	To Suit Tray	To Suit Wet Floor
1135 x 770	440	322	344	417	323	750	1106 - 1136	740 - 770		P6832908
1200 x 700	460	343	365	382	288	750	1168 - 1198	670 - 700	P6832231	
1200 x 800	460	343	365	432	338	750	1168 - 1198	770 - 800	P6832237	
1300 x 700	494	376	398	382	288	750	1268 - 1298	670 - 700	P6832205	
1300 x 800	494	376	398	432	338	750	1268 - 1298	770 - 800	P6832239	P6832910
1400 x 700	528	409	431	382	288	750	1368 - 1398	670 - 700	P6832048	
1400 x 800	528	409	431	432	338	750	1368 - 1398	770 - 800	P6832241	
1400 x 900	528	409	431	482	388	750	1368 - 1398	870 - 900		P6832912
1500 x 700	561	443	465	382	288	750	1469 - 1499	670 - 700	P6832052	
1500 x 760	561	443	465	414	320	750	1469 - 1499	734 - 764	P6832832	
1500 x 800	561	443	465	432	338	750	1469 - 1499	770 - 800	P6832243	P6832914
1500 x 860	561	443	465	464	370	750	1469 - 1499	834 - 864	P6832834	
1600 x 700	594	476	498	382	288	750	1568 - 1598	670 - 700	P6832056	
1600 x 800	594	476	498	432	338	750	1568 - 1598	770 - 800	P6832245	

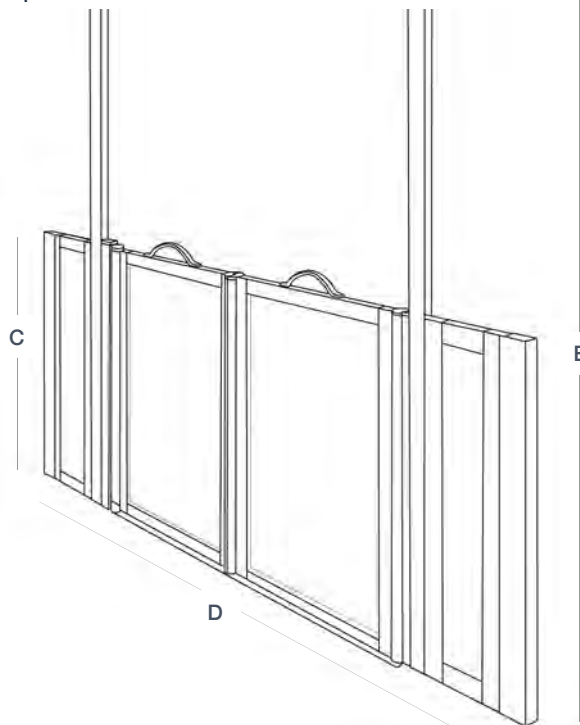
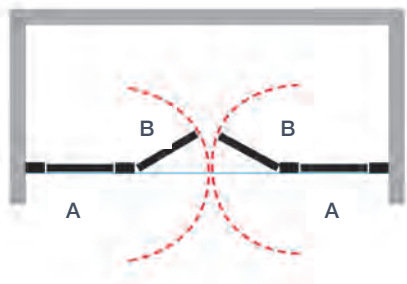
Right Hand

Tray Size	A	B	C	D	E	F	G	H	To Suit Tray	To Suit Wet Floor
1135 x 770	440	322	344	417	323	750	1106 - 1136	740 - 770		P6832909
1200 x 700	460	343	365	382	288	750	1168 - 1198	670 - 700	P6832232	
1200 x 800	460	343	365	432	338	750	1168 - 1198	770 - 800	P6832238	
1300 x 700	494	376	398	382	288	750	1268 - 1298	670 - 700	P6832206	
1300 x 800	494	376	398	432	338	750	1268 - 1298	770 - 800	P6832240	P6832911
1400 x 700	528	409	431	382	288	750	1368 - 1398	670 - 700	P6832049	
1400 x 800	528	409	431	432	338	750	1368 - 1398	770 - 800	P6832242	
1400 x 900	528	409	431	482	388	750	1368 - 1398	870 - 900		P6832913
1500 x 700	561	443	465	382	288	750	1469 - 1499	670 - 700	P6832053	
1500 x 760	561	443	465	414	320	750	1469 - 1499	734 - 764	P6832833	
1500 x 800	561	443	465	432	338	750	1469 - 1499	770 - 800	P6832244	P6832915
1500 x 860	561	443	465	464	370	750	1469 - 1499	834 - 864	P6832835	
1600 x 700	594	476	498	382	288	750	1568 - 1598	670 - 700	P6832057	
1600 x 800	594	476	498	432	338	750	1568 - 1598	770 - 800	P6832246	

Each door set is supplied with a curtain rail and curtain(s).

Pro-doors - Front entry doors with fixed panels

Option
H

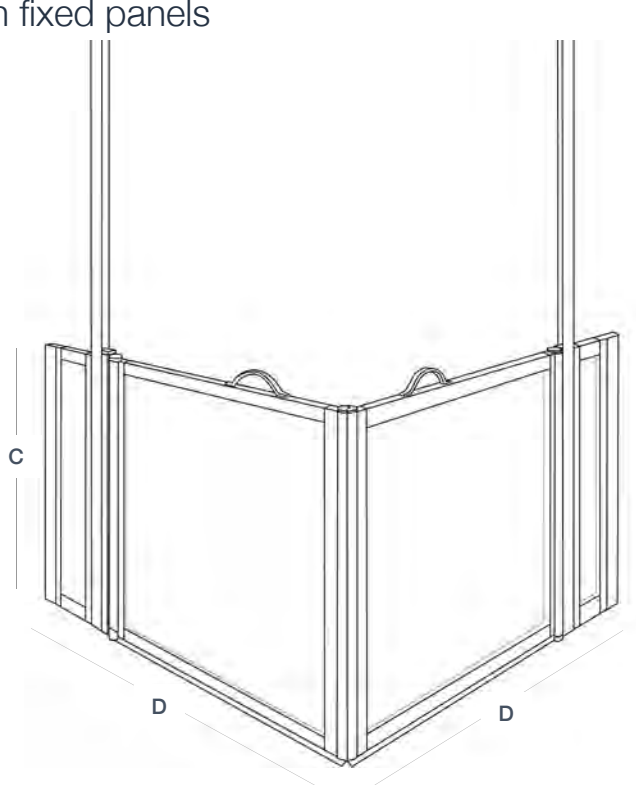
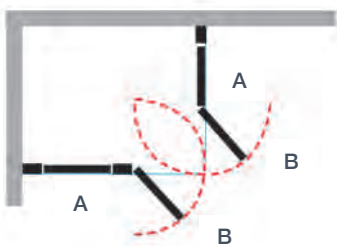


Each door set is supplied with a curtain rail and curtain(s).

Tray Size	A	B	C	D	E	To Suit Tray	To Suit Wet Floor
1135	230	321	750	1102 - 1202	2500		P6832916
1300	230	404	750	1268 - 1368	2500	P6832115	P6832917
1400	230	454	750	1368 - 1468	2500	P6832116	P6832918
1500	230	504	750	1468 - 1568	2500	P6832117	P6832919
1600	230	554	750	1568 - 1668	2500	P6832118	
1700	230	604	750	1668 - 1768	2500	P6832836	
1800	230	654	750	1768 - 1868	2500	P6832837	P6832920

Pro-doors - Corner entry doors with fixed panels

Option
I

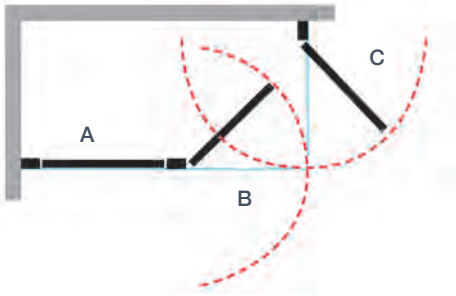


Each door set is supplied with a curtain rail and curtain(s).

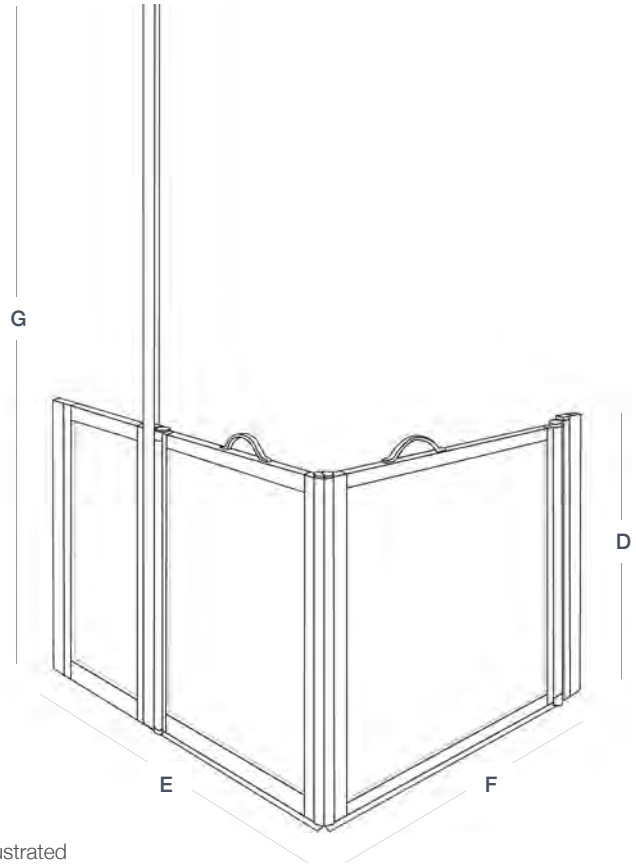
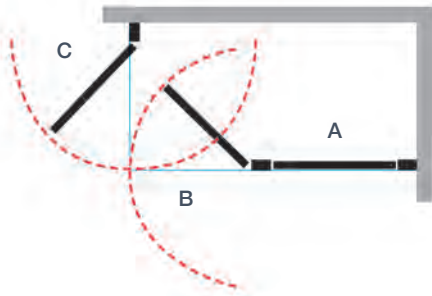
Tray Size	A	B	C	D	E	To Suit Tray	To Suit Wet Floor
900 x 900	255	601	750	856 - 906	2500	P6832030	
1000 x 1000	355	601	750	956 - 1006	2500	P6832031	P6832921
1200 x 1200	500	656	750	1156 - 1206	2500	P6832032	P6832922

Pro-doors - Corner entry doors with fixed panel

Left Hand



Right Hand



Left Hand

Left Hand Illustrated

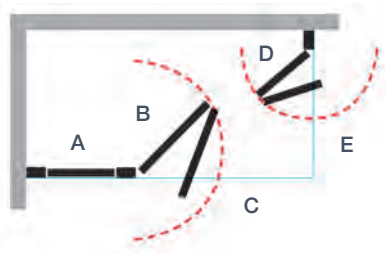
Tray Size	A	B	C	D	E	F	G	To Suit Tray	To Suit Wet Floor
1135 x 770	450	641	746	750	1091 - 1141	746 - 776	2500		P6832924
1200 x 700	500	656	676	750	1156 - 1206	676 - 706	2500	P6832033	
1200 x 800	500	656	776	750	1156 - 1206	776 - 806	2500	P6832037	
1300 x 700	550	706	676	750	1256 - 1306	676 - 706	2500	P6832039	
1300 x 800	550	706	776	750	1256 - 1306	776 - 806	2500	P6832043	P6832926
1400 x 700	600	756	676	750	1356 - 1406	676 - 706	2500	P6832838	
1400 x 800	600	756	776	750	1356 - 1406	776 - 806	2500	P6832840	
1400 x 900	600	756	876	750	1356 - 1406	876 - 906	2500		P6832928
1500 x 700	650	806	676	750	1456 - 1506	676 - 706	2500	P6832842	
1500 x 800	650	806	776	750	1456 - 1506	776 - 806	2500	P6832844	P6832930
1600 x 700	700	856	676	750	1556 - 1606	676 - 706	2500	P6832846	
1600 x 800	700	856	776	750	1556 - 1606	776 - 806	2500	P6832848	
1700 x 700	750	906	676	750	1656 - 1706	676 - 706	2500	P6832850	
1700 x 800	750	906	776	750	1656 - 1706	776 - 806	2500	P6832852	

Right Hand

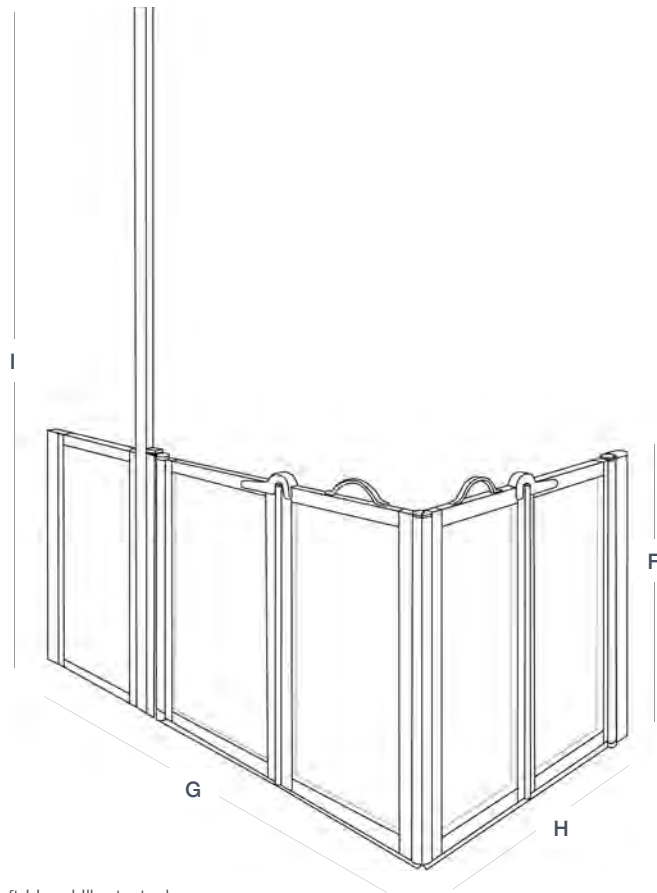
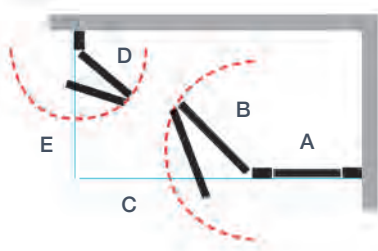
Tray Size	A	B	C	D	E	F	G	To Suit Tray	To Suit Wet Floor
1135 x 770	450	641	746	750	1091 - 1141	746 - 776	2500		P6832925
1200 x 700	500	656	676	750	1156 - 1206	676 - 706	2500	P6832034	
1200 x 800	500	656	776	750	1156 - 1206	776 - 806	2500	P6832038	
1300 x 700	550	706	676	750	1256 - 1306	676 - 706	2500	P6832040	
1300 x 800	550	706	776	750	1256 - 1306	776 - 806	2500	P6832044	P6832927
1400 x 700	600	756	676	750	1356 - 1406	676 - 706	2500	P6832839	
1400 x 800	600	756	776	750	1356 - 1406	776 - 806	2500	P6832841	
1400 x 900	600	756	876	750	1356 - 1406	876 - 906	2500		P6832929
1500 x 700	650	806	676	750	1456 - 1506	676 - 706	2500	P6832843	
1500 x 800	650	806	776	750	1456 - 1506	776 - 806	2500	P6832845	P6832931
1600 x 700	700	856	676	750	1556 - 1606	676 - 706	2500	P6832847	
1600 x 800	700	856	776	750	1556 - 1606	776 - 806	2500	P6832849	
1700 x 700	750	906	676	750	1656 - 1706	676 - 706	2500	P6832851	
1700 x 800	750	906	776	750	1656 - 1706	776 - 806	2500	P6832853	

Each door set is supplied with a curtain rail and curtain(s).

Left Hand



Right Hand



Left Hand Illustrated

Left Hand

Tray Size	A	B	C	D	E	F	G	H	I	To Suit Tray	To Suit Wet Floor
1135 x 770	505	349	260	419	325	750	1114 - 1164	744 - 774	2500		P6832932
1300 x 700	620	374	285	384	290	750	1279 - 1329	674 - 704	2500	P6833780	
1300 x 800	620	374	285	434	340	750	1279 - 1329	774 - 804	2500	P6832854	P6832934
1400 x 700	670	399	310	384	290	750	1379 - 1429	674 - 704	2500	P6821892	
1400 x 800	670	399	310	434	340	750	1379 - 1429	774 - 804	2500	P6832856	
1400 x 900	670	399	310	484	390	750	1379 - 1429	874 - 904	2500		P6832936
1500 x 700	720	424	335	384	290	750	1479 - 1529	674 - 704	2500	P6832858	
1500 x 800	720	424	335	434	340	750	1479 - 1529	774 - 804	2500	P6832860	P6832938
1600 x 700	770	449	360	384	290	750	1579 - 1629	674 - 704	2500	P6832862	
1600 x 800	770	449	360	434	340	750	1579 - 1629	774 - 804	2500	P6832864	
1700 x 700	820	474	385	384	290	750	1679 - 1729	674 - 704	2500	P6832866	
1700 x 800	820	474	385	434	340	750	1679 - 1729	774 - 804	2500	P6832868	

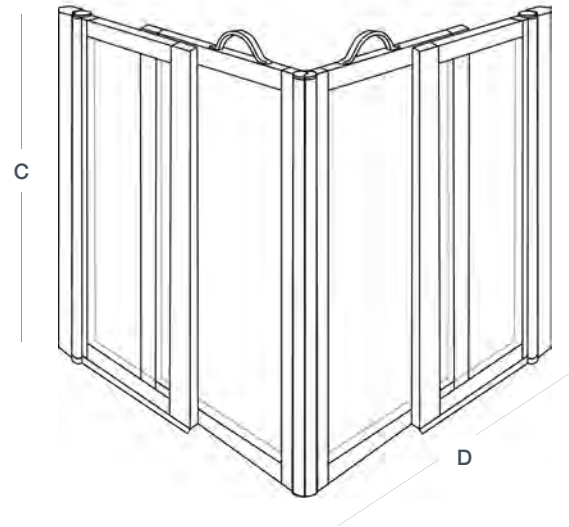
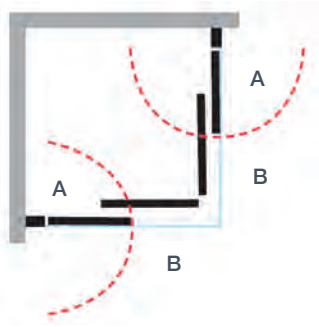
Right Hand

Tray Size	A	B	C	D	E	F	G	H	I	To Suit Tray	To Suit Wet Floor
1135 x 770	505	349	260	419	325	750	1114 - 1164	744 - 774	2500		P6832933
1300 x 700	620	374	285	384	290	750	1279 - 1329	674 - 704	2500	P6833781	
1300 x 800	620	374	285	434	340	750	1279 - 1329	774 - 804	2500	P6832855	P6832935
1400 x 700	670	399	310	384	290	750	1379 - 1429	674 - 704	2500	P6821893	
1400 x 800	670	399	310	434	340	750	1379 - 1429	774 - 804	2500	P6832857	
1400 x 900	670	399	310	484	390	750	1379 - 1429	874 - 904	2500		P6832937
1500 x 700	720	424	335	384	290	750	1479 - 1529	674 - 704	2500	P6832859	
1500 x 800	720	424	335	434	340	750	1479 - 1529	774 - 804	2500	P6832861	P6832939
1600 x 700	770	449	360	384	290	750	1579 - 1629	674 - 704	2500	P6832863	
1600 x 800	770	449	360	434	340	750	1579 - 1629	774 - 804	2500	P6832865	
1700 x 700	820	474	385	384	290	750	1679 - 1729	674 - 704	2500	P6832867	
1700 x 800	820	474	385	434	340	750	1679 - 1729	774 - 804	2500	P6832869	

Each door set is supplied with a curtain rail and curtain(s).

Option L Pro-doors - Corner entry sliding doors

L

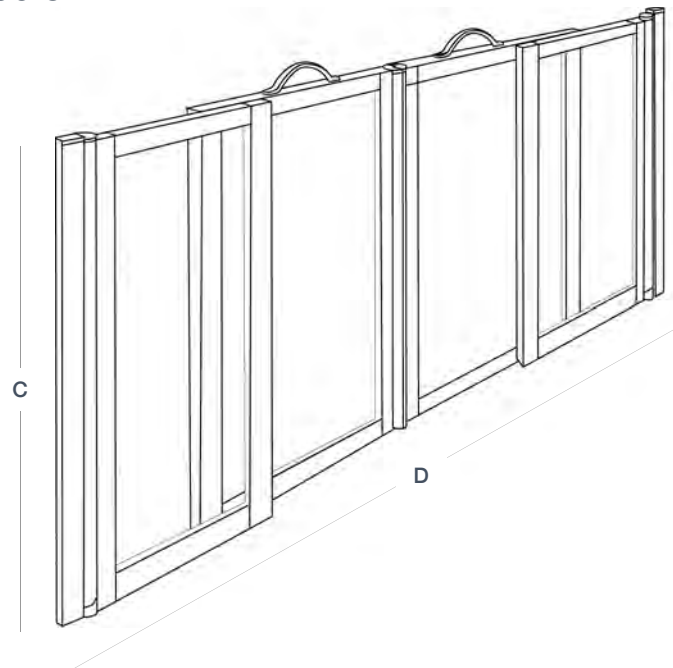
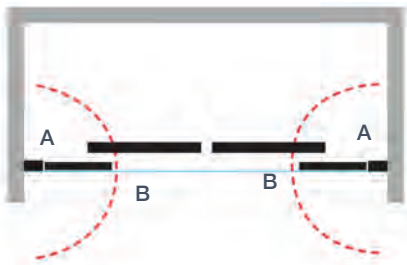


Tray Size	A	B	C	D	To Suit Tray	To Suit Wet Floor
900 - 1300	785	731	750	812 - 1376	P6832062	P6832940

Each door set is supplied with a curtain rail and curtain(s).

Option M Pro-doors - Front entry sliding doors

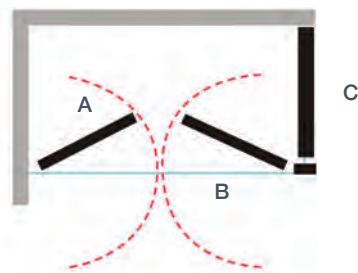
M



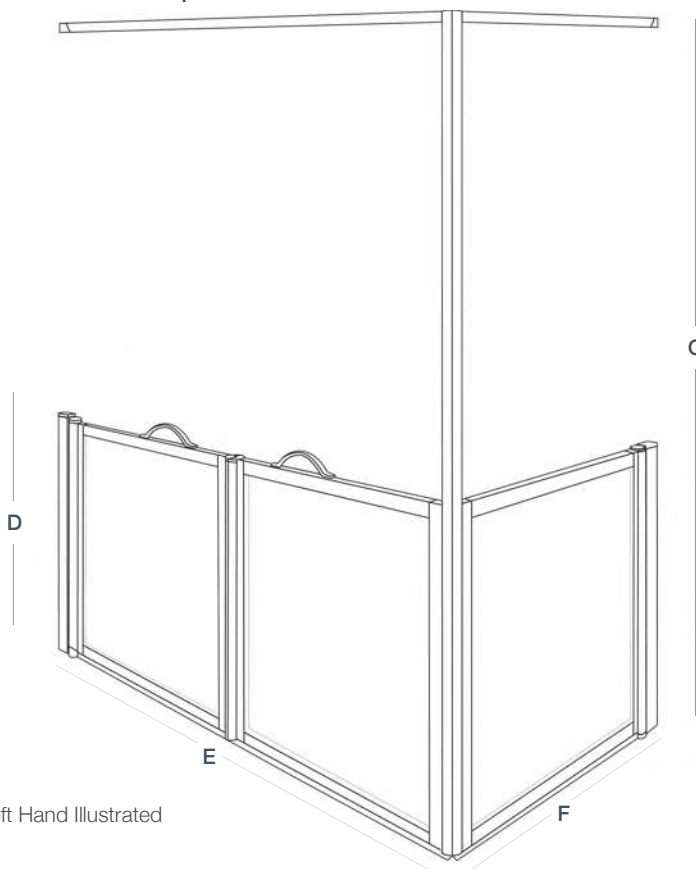
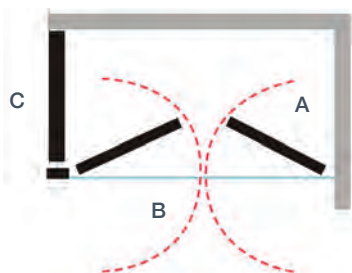
Tray Size	A	B	C	D	To Suit Tray	To Suit Wet Floor
1300 - 2010	605	542	750	1264 - 2014	P6832061	P6832941

Each door set is supplied with a curtain rail and curtain(s).

Left Hand



Right Hand



Left Hand Illustrated

Left Hand

Tray Size	A	B	C	D	E	F	G	To Suit Tray	To Suit Wet Floor
1135 x 770	544	560	749	750	1104 - 1144	749 - 789	2150		P6832942
1200 x 700	577	593	679	750	1170 - 1210	679 - 719	2150	P6833402	
1200 x 800	577	593	779	750	1170 - 1210	779 - 819	2150	P6833404	
1300 x 700	627	643	679	750	1270 - 1310	679 - 719	2150	P6833406	
1300 x 800	627	643	779	750	1270 - 1310	779 - 819	2150	P6833408	P6832944
1400 x 700	677	693	679	750	1370 - 1410	679 - 719	2150	P6833410	
1400 x 800	677	693	779	750	1370 - 1410	779 - 819	2150	P6833412	
1400 x 900	677	693	879	750	1370 - 1410	879 - 919	2150		P6832946
1500 x 700	727	743	679	750	1470 - 1510	679 - 719	2150	P6833414	
1500 x 800	727	743	779	750	1470 - 1510	779 - 819	2150	P6833416	P6832948
1600 x 700	777	793	679	750	1570 - 1610	679 - 719	2150	P6833418	
1600 x 800	777	793	779	750	1570 - 1610	779 - 819	2150	P6833420	
1700 x 700	827	843	679	750	1670 - 1710	679 - 719	2150	P6833422	
1700 x 800	827	843	779	750	1670 - 1710	779 - 819	2150	P6833424	

Right Hand

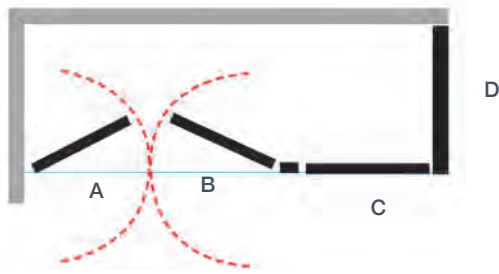
Tray Size	A	B	C	D	E	F	G	To Suit Tray	To Suit Wet Floor
1135 x 770	544	560	749	750	1104 - 1144	749 - 789	2150		P6832943
1200 x 700	577	593	679	750	1170 - 1210	679 - 719	2150	P6833403	
1200 x 800	577	593	779	750	1170 - 1210	779 - 819	2150	P6833405	
1300 x 700	627	643	679	750	1270 - 1310	679 - 719	2150	P6833407	
1300 x 800	627	643	779	750	1270 - 1310	779 - 819	2150	P6833409	P6832945
1400 x 700	677	693	679	750	1370 - 1410	679 - 719	2150	P6833411	
1400 x 800	677	693	779	750	1370 - 1410	779 - 819	2150	P6833413	
1400 x 900	677	693	879	750	1370 - 1410	879 - 919	2150		P6832947
1500 x 700	727	743	679	750	1470 - 1510	679 - 719	2150	P6833415	
1500 x 800	727	743	779	750	1470 - 1510	779 - 819	2150	P6833417	P6832949
1600 x 700	777	793	679	750	1570 - 1610	679 - 719	2150	P6833419	
1600 x 800	777	793	779	750	1570 - 1610	779 - 819	2150	P6833421	
1700 x 700	827	843	679	750	1670 - 1710	679 - 719	2150	P6833423	
1700 x 800	827	843	779	750	1670 - 1710	779 - 819	2150	P6833425	

Each door set is supplied with a curtain rail and curtain(s). Please note: Our corner post can be cut to suit the preferred installation height of your shower curtain track.

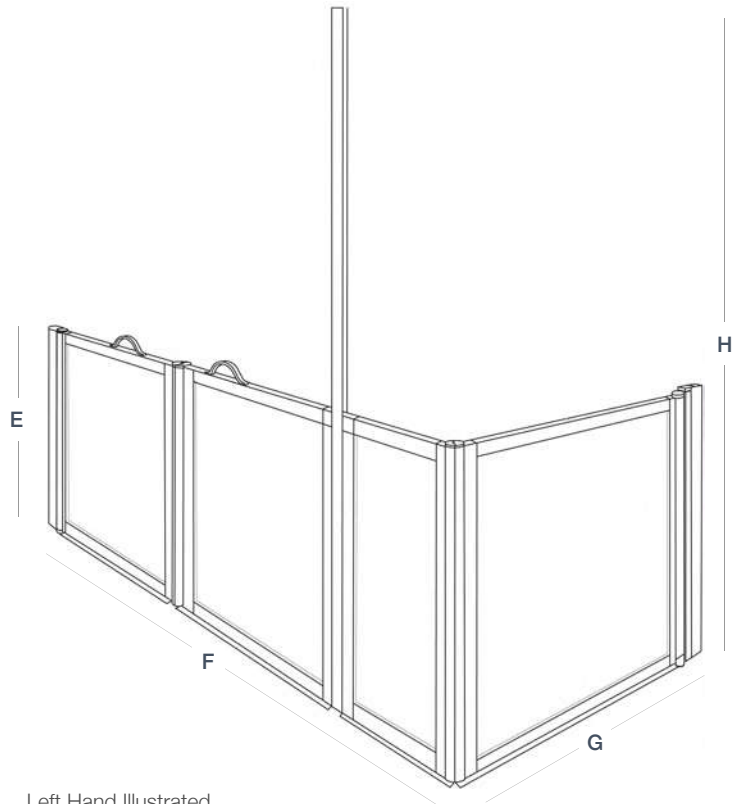
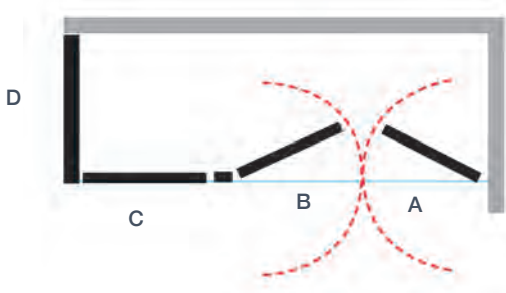
Option 0 Pro-doors - Front entry single doors with fixed panel and side panel

0

Left Hand



Right Hand



Left Hand Illustrated

Left Hand

Tray Size	A	B	C	D	E	F	G	H	To Suit Tray	To Suit Wet Floor
1135 x 770	450	445	214	749	750	1109 - 1169	749 - 789	2500		P6832950
1200 x 700	450	445	279	679	750	1174 - 1234	679 - 719	2500	P6833426	
1200 x 800	450	445	279	779	750	1174 - 1234	779 - 819	2500	P6833428	
1300 x 700	450	445	379	679	750	1274 - 1334	679 - 719	2500	P6833430	
1300 x 800	450	445	379	779	750	1274 - 1334	779 - 819	2500	P6833432	P6832952
1400 x 700	450	445	479	679	750	1374 - 1434	679 - 719	2500	P6833434	
1400 x 800	450	445	479	779	750	1374 - 1434	779 - 819	2500	P6833436	
1400 x 900	450	445	479	879	750	1374 - 1434	879 - 919	2500		P6832954
1500 x 700	500	495	479	679	750	1474 - 1534	679 - 719	2500	P6833438	
1500 x 800	500	495	479	779	750	1474 - 1534	779 - 819	2500	P6833440	P6832956
1600 x 700	500	495	579	679	750	1574 - 1634	679 - 719	2500	P6833442	
1600 x 800	500	495	579	779	750	1574 - 1634	779 - 819	2500	P6833444	
1700 x 700	500	495	679	679	750	1674 - 1734	679 - 719	2500	P6833446	
1700 x 800	500	495	679	779	750	1674 - 1734	779 - 819	2500	P6833448	

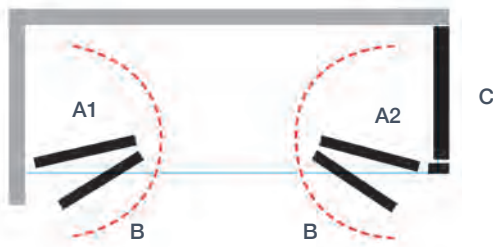
Right Hand

Tray Size	A	B	C	D	E	F	G	H	To Suit Tray	To Suit Wet Floor
1135 x 770	450	445	214	749	750	1109 - 1169	749 - 789	2500		P6832951
1200 x 700	450	445	279	679	750	1174 - 1234	679 - 719	2500	P6833427	
1200 x 800	450	445	279	779	750	1174 - 1234	779 - 819	2500	P6833429	
1300 x 700	450	445	379	679	750	1274 - 1334	679 - 719	2500	P6833431	
1300 x 800	450	445	379	779	750	1274 - 1334	779 - 819	2500	P6833433	P6832953
1400 x 700	450	445	479	679	750	1374 - 1434	679 - 719	2500	P6833435	
1400 x 800	450	445	479	779	750	1374 - 1434	779 - 819	2500	P6833437	
1400 x 900	450	445	479	879	750	1374 - 1434	879 - 919	2500		P6832955
1500 x 700	500	495	479	679	750	1474 - 1534	679 - 719	2500	P6833439	
1500 x 800	500	495	479	779	750	1474 - 1534	779 - 819	2500	P6833441	P6832957
1600 x 700	500	495	579	679	750	1574 - 1634	679 - 719	2500	P6833443	
1600 x 800	500	495	579	779	750	1574 - 1634	779 - 819	2500	P6833445	
1700 x 700	500	495	679	679	750	1674 - 1734	679 - 719	2500	P6833447	
1700 x 800	500	495	679	779	750	1674 - 1734	779 - 819	2500	P6833449	

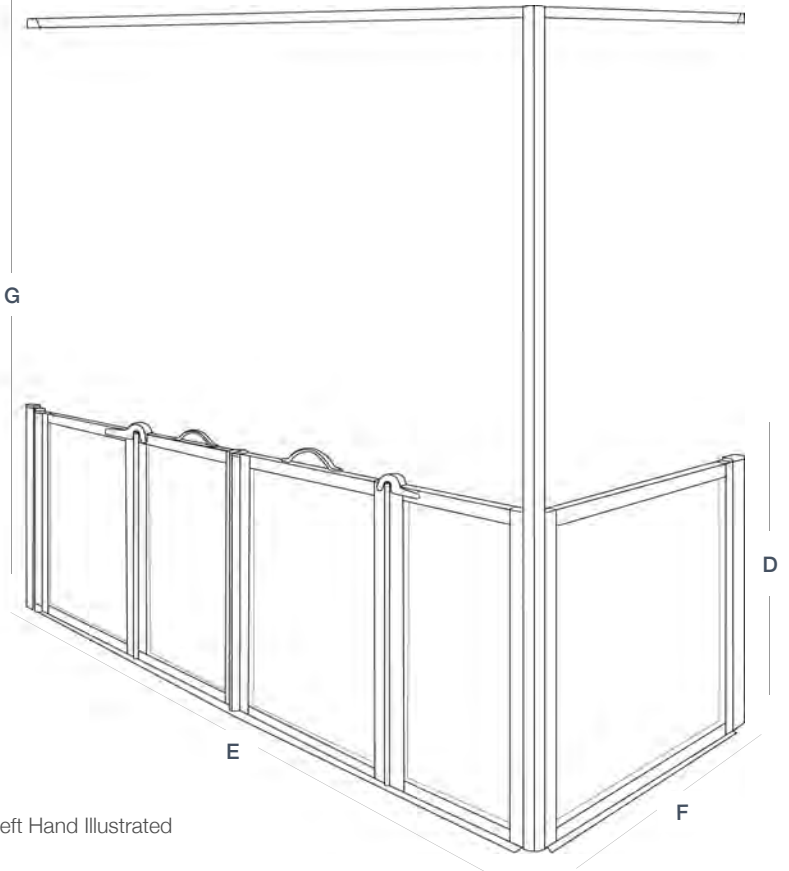
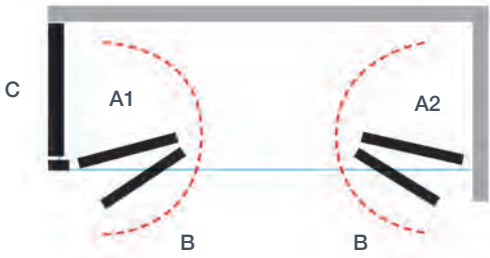
Each door set is supplied with a curtain rail and curtain(s).

Pro-doors - Front entry bi-fold doors with side panel

Left Hand



Right Hand



Left Hand

Tray Size	A1	A2	B	C	D	E	F	G	To Suit Tray	To Suit Wet Floor
1135 x 770	323	339	220	749	750	1102 - 1142	749 - 789	2150		P6832958
1200 x 700	339	355	236	679	750	1166 - 1206	679 - 719	2150	P6833450	
1200 x 800	339	355	236	779	750	1166 - 1206	779 - 819	2150	P6833452	
1300 x 700	364	380	261	679	750	1266 - 1306	679 - 719	2150	P6833454	
1300 x 800	364	380	261	779	750	1266 - 1306	779 - 819	2150	P6833456	P6832960
1400 x 700	389	405	286	679	750	1366 - 1406	679 - 719	2150	P6833458	
1400 x 800	389	405	286	779	750	1366 - 1406	779 - 819	2150	P6833460	
1400 x 900	389	405	286	879	750	1366 - 1406	879 - 919	2150		P6832962
1500 x 700	414	430	311	679	750	1466 - 1506	679 - 719	2150	P6833462	
1500 x 800	414	430	311	779	750	1466 - 1506	779 - 819	2150	P6833464	P6832964
1600 x 700	439	455	336	679	750	1566 - 1606	679 - 719	2150	P6833466	
1600 x 800	439	455	336	779	750	1566 - 1606	779 - 819	2150	P6833468	
1700 x 700	464	480	361	679	750	1666 - 1706	679 - 719	2150	P6833470	
1700 x 800	464	480	361	779	750	1666 - 1706	779 - 819	2150	P6833472	

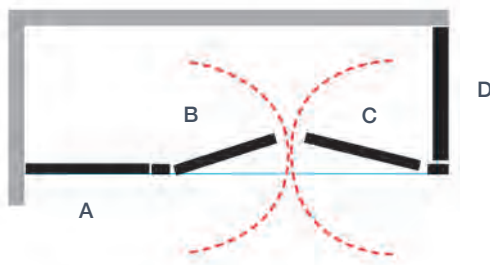
Right Hand

Tray Size	A1	A2	B	C	D	E	F	G	To Suit Tray	To Suit Wet Floor
1135 x 770	323	339	220	749	750	1102 - 1142	749 - 789	2150		P6832959
1200 x 700	339	355	236	679	750	1166 - 1206	679 - 719	2150	P6833451	
1200 x 800	339	355	236	779	750	1166 - 1206	779 - 819	2150	P6833453	
1300 x 700	364	380	261	679	750	1266 - 1306	679 - 719	2150	P6833455	
1300 x 800	364	380	261	779	750	1266 - 1306	779 - 819	2150	P6833457	P6832961
1400 x 700	389	405	286	679	750	1366 - 1406	679 - 719	2150	P6833459	
1400 x 800	389	405	286	779	750	1366 - 1406	779 - 819	2150	P6833461	
1400 x 900	389	405	286	879	750	1366 - 1406	879 - 919	2150		P6832963
1500 x 700	414	430	311	679	750	1466 - 1506	679 - 719	2150	P6833463	
1500 x 800	414	430	311	779	750	1466 - 1506	779 - 819	2150	P6833465	P6832965
1600 x 700	439	455	336	679	750	1566 - 1606	679 - 719	2150	P6833467	
1600 x 800	439	455	336	779	750	1566 - 1606	779 - 819	2150	P6833469	
1700 x 700	464	480	361	679	750	1666 - 1706	679 - 719	2150	P6833471	
1700 x 800	464	480	361	779	750	1666 - 1706	779 - 819	2150	P6833473	

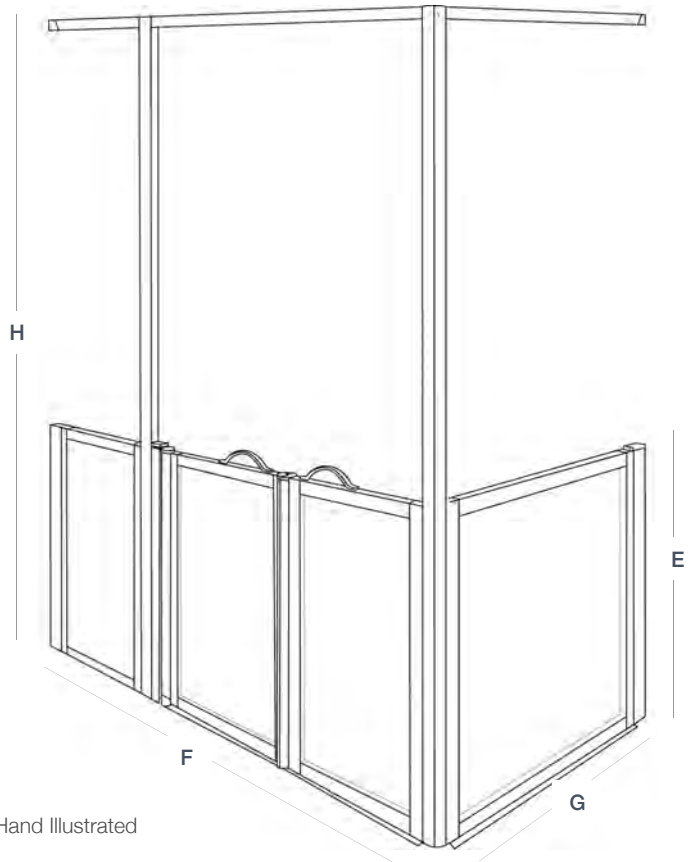
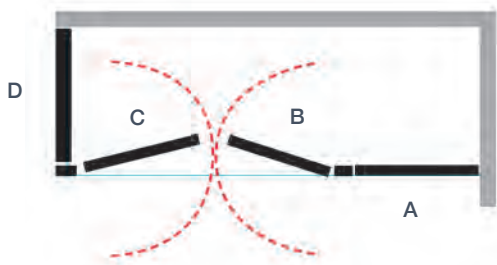
Each door set is supplied with a curtain rail and curtain(s). Please note: Our corner post can be cut to suit the preferred installation height of your shower curtain track.

Pro-doors - Front entry single doors with fixed panel and side panel

Left Hand



Right Hand



Left Hand Illustrated

Left Hand

Tray Size	A	B	C	D	E	F	G	H	To Suit Tray	To Suit Wet Floor
1135 x 770	220	434	455	749	750	1109 - 1169	749 - 789	2150		P6832966
1200 x 700	285	434	455	679	750	1174 - 1234	679 - 719	2150	P6833474	
1200 x 800	285	434	455	779	750	1174 - 1234	779 - 819	2150	P6833476	
1300 x 700	385	434	455	679	750	1274 - 1334	679 - 719	2150	P6833478	
1300 x 800	385	434	455	779	750	1274 - 1334	779 - 819	2150	P6833480	P6832968
1400 x 700	485	434	455	679	750	1374 - 1434	679 - 719	2150	P6833482	
1400 x 800	485	434	455	779	750	1374 - 1434	779 - 819	2150	P6833484	
1400 x 900	485	434	455	879	750	1374 - 1434	879 - 919	2150		P6832970
1500 x 700	485	484	505	679	750	1474 - 1534	679 - 719	2150	P6833486	
1500 x 800	485	484	505	779	750	1474 - 1534	779 - 819	2150	P6833488	P6832972
1600 x 700	585	484	505	679	750	1574 - 1634	679 - 719	2150	P6833490	
1600 x 800	585	484	505	779	750	1574 - 1634	779 - 819	2150	P6833492	
1700 x 700	685	484	505	679	750	1674 - 1734	679 - 719	2150	P6833494	
1700 x 800	685	484	505	779	750	1674 - 1734	779 - 819	2150	P6833496	

Right Hand

Tray Size	A	B	C	D	E	F	G	H	To Suit Tray	To Suit Wet Floor
1135 x 770	220	434	455	749	750	1109 - 1169	749 - 789	2150		P6832967
1200 x 700	285	434	455	679	750	1174 - 1234	679 - 719	2150	P6833475	
1200 x 800	285	434	455	779	750	1174 - 1234	779 - 819	2150	P6833477	
1300 x 700	385	434	455	679	750	1274 - 1334	679 - 719	2150	P6833479	
1300 x 800	385	434	455	779	750	1274 - 1334	779 - 819	2150	P6833481	P6832969
1400 x 700	485	434	455	679	750	1374 - 1434	679 - 719	2150	P6833483	
1400 x 800	485	434	455	779	750	1374 - 1434	779 - 819	2150	P6833485	
1400 x 900	485	434	455	879	750	1374 - 1434	879 - 919	2150		P6832971
1500 x 700	485	484	505	679	750	1474 - 1534	679 - 719	2150	P6833487	
1500 x 800	485	484	505	779	750	1474 - 1534	779 - 819	2150	P6833489	P6832973
1600 x 700	585	484	505	679	750	1574 - 1634	679 - 719	2150	P6833491	
1600 x 800	585	484	505	779	750	1574 - 1634	779 - 819	2150	P6833493	
1700 x 700	685	484	505	679	750	1674 - 1734	679 - 719	2150	P6833495	
1700 x 800	685	484	505	779	750	1674 - 1734	779 - 819	2150	P6833497	

Each door set is supplied with a curtain rail and curtain(s). Please note: Our corner post (2150mm) and H section post (2500mm) can be cut to suit the preferred installation height of your shower curtain track.

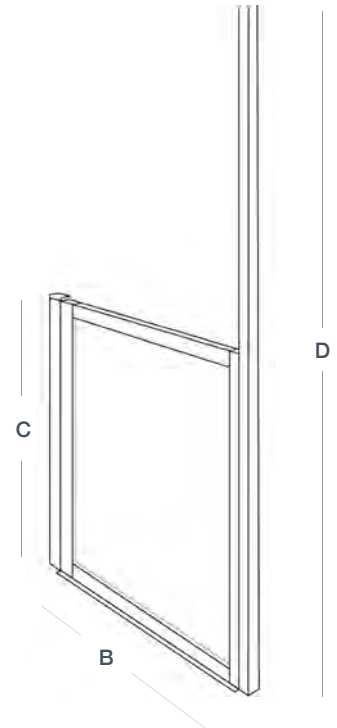
Pro-doors - Single half height panel

Option

R



Tray Size	A	B	C	D	To Suit Tray	To Suit Wet Floor
200	187	187 - 227	750	2500	P6832381	P6832974
250	237	237 - 277	750	2500	P6833500	P6832975
300	287	287 - 327	750	2500	P6832388	P6832976
350	337	337 - 377	750	2500	P6833501	P6832977
400	387	387 - 427	750	2500	P6832382	P6832978
450	437	437 - 477	750	2500	P6833502	P6832979
500	487	487 - 527	750	2500	P6832390	P6832980
550	537	537 - 577	750	2500	P6833503	P6832981
600	587	587 - 627	750	2500	P6832383	P6832982
650	637	637 - 677	750	2500	P6833504	P6832983
700	687	687 - 727	750	2500	P6832384	P6832984
750	737	737 - 777	750	2500	P6833505	P6832985
800	787	787 - 827	750	2500	P6833506	P6832986
900	887	887 - 927	750	2500	P6833507	P6832987



Each door set is supplied with a curtain rail and curtain(s).

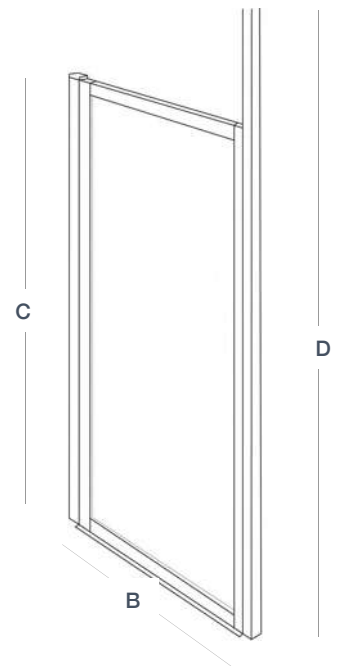
Pro-doors - Single full height panel

Option

RF



Tray Size	A	B	C	D	To Suit Tray	To Suit Wet Floor
200	187	187 - 227	2000	2500	P6833508	P6833690
250	237	237 - 277	2000	2500	P6833509	P6833691
300	287	287 - 327	2000	2500	P6833510	P6833692
350	337	337 - 377	2000	2500	P6833511	P6833693
400	387	387 - 427	2000	2500	P6833512	P6833694
450	437	437 - 477	2000	2500	P6833513	P6833695
500	487	487 - 527	2000	2500	P6833514	P6833696
550	537	537 - 577	2000	2500	P6833515	P6833697
600	587	587 - 627	2000	2500	P6833516	P6833698
650	637	637 - 677	2000	2500	P6833517	P6833699
700	687	687 - 727	2000	2500	P6833518	P6833700
750	737	737 - 777	2000	2500	P6833519	P6833701
800	787	787 - 827	2000	2500	P6833520	P6833702
900	887	887 - 927	2000	2500	P6833521	P6833703

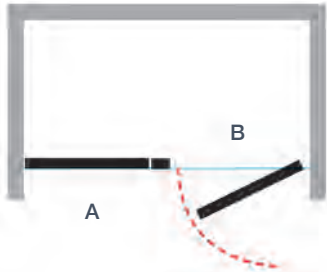


Each door set is supplied with a curtain rail and curtain(s).

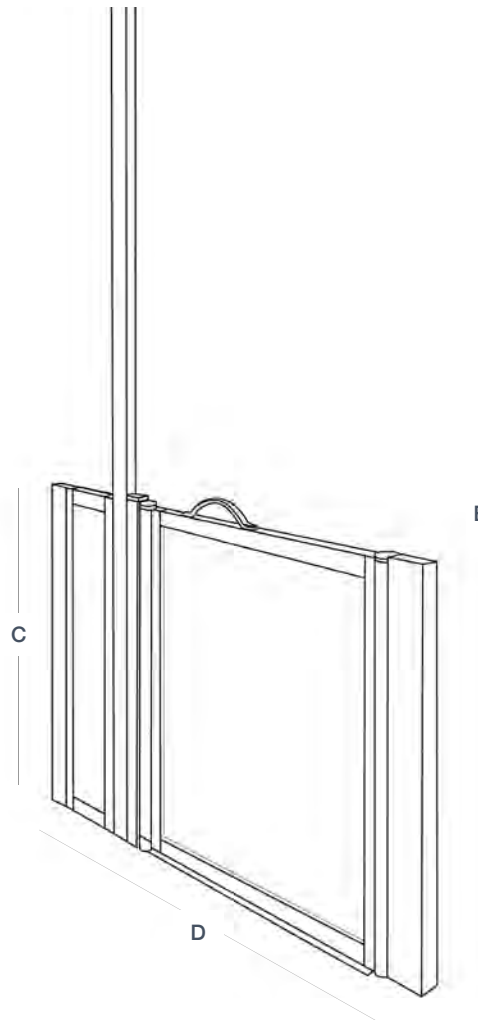
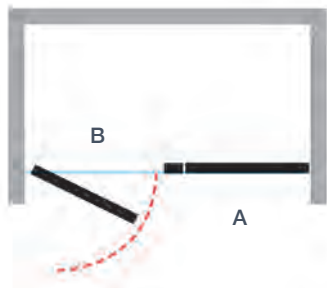
Option S Pro-doors - Front entry single door with fixed panel

S

Left Hand



Right Hand



Left Hand Illustrated

Left Hand

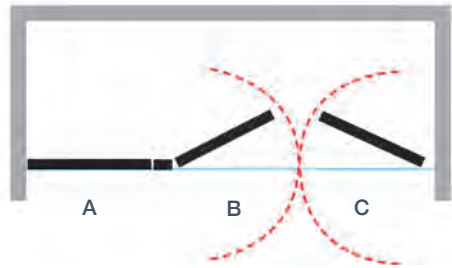
Tray Size	A	B	C	D	E	To Suit Tray	To Suit Wet Floor
900	185	687	750	872 - 952	2500	P6833530	P6833704
1000	285	687	750	972 - 1052	2500	P6833532	P6833706
1135	220	887	750	1107 - 1187	2500		P6833708
1200	285	887	750	1172 - 1252	2500	P6833534	P6833710
1300	385	887	750	1272 - 1352	2500	P6833536	P6833712
1400	485	887	750	1372 - 1452	2500	P6833538	P6833714
1500	485	987	750	1472 - 1552	2500	P6833540	P6833716
1600	585	987	750	1572 - 1652	2500	P6833542	P6833718
1700	685	987	750	1672 - 1752	2500	P6833544	P6833720
1800	785	987	750	1772 - 1852	2500	P6833546	P6833722

Right Hand

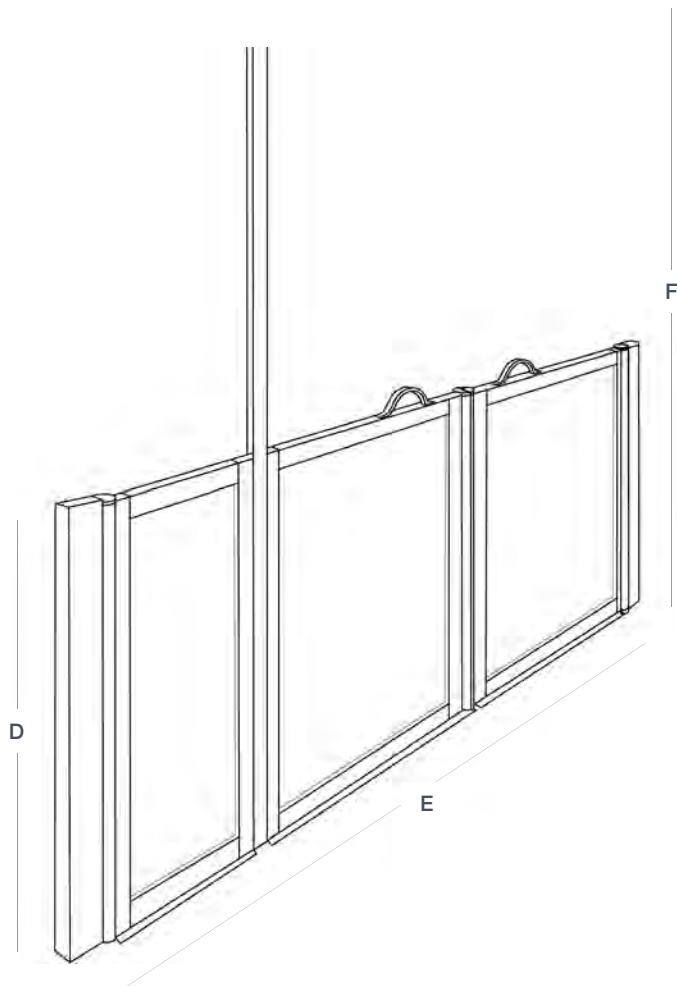
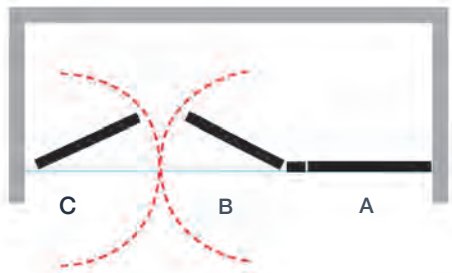
Tray Size	A	B	C	D	E	To Suit Tray	To Suit Wet Floor
900	185	687	750	872 - 952	2500	P6833531	P6833705
1000	285	687	750	972 - 1052	2500	P6833533	P6833707
1135	220	887	750	1107 - 1187	2500		P6833709
1200	285	887	750	1172 - 1252	2500	P6833535	P6833711
1300	385	887	750	1272 - 1352	2500	P6833537	P6833713
1400	485	887	750	1372 - 1452	2500	P6833539	P6833715
1500	485	987	750	1472 - 1552	2500	P6833541	P6833717
1600	585	987	750	1572 - 1652	2500	P6833543	P6833719
1700	685	987	750	1672 - 1752	2500	P6833545	P6833721
1800	785	987	750	1772 - 1852	2500	P6833547	P6833723

Each door set is supplied with a curtain rail and curtain(s).

Left Hand



Right Hand



Left Hand Illustrated

Left Hand

Tray Size	A	B	C	D	E	F	To Suit Tray	To Suit Wet Floor
1000	185	392	397	750	974 - 1054	2500	P6833550	
1200	285	442	447	750	1174 - 1254	2500	P6833552	P6833724
1300	385	442	447	750	1274 - 1354	2500	P6833554	P6833726
1400	485	442	447	750	1374 - 1454	2500	P6833556	P6833728
1500	485	492	497	750	1474 - 1554	2500	P6833558	P6833730
1600	585	492	497	750	1574 - 1654	2500	P6833560	P6833732
1700	685	492	497	750	1674 - 1754	2500	P6833562	P6833734
1800	785	492	497	750	1774 - 1854	2500	P6833564	P6833736

Right Hand

Tray Size	A	B	C	D	E	F	To Suit Tray	To Suit Wet Floor
1000	185	392	397	750	974 - 1054	2500	P6833551	
1200	285	442	447	750	1174 - 1254	2500	P6833553	P6833725
1300	385	442	447	750	1274 - 1354	2500	P6833555	P6833727
1400	485	442	447	750	1374 - 1454	2500	P6833557	P6833729
1500	485	492	497	750	1474 - 1554	2500	P6833559	P6833731
1600	585	492	497	750	1574 - 1654	2500	P6833561	P6833733
1700	685	492	497	750	1674 - 1754	2500	P6833563	P6833735
1800	785	492	497	750	1774 - 1854	2500	P6833565	P6833737

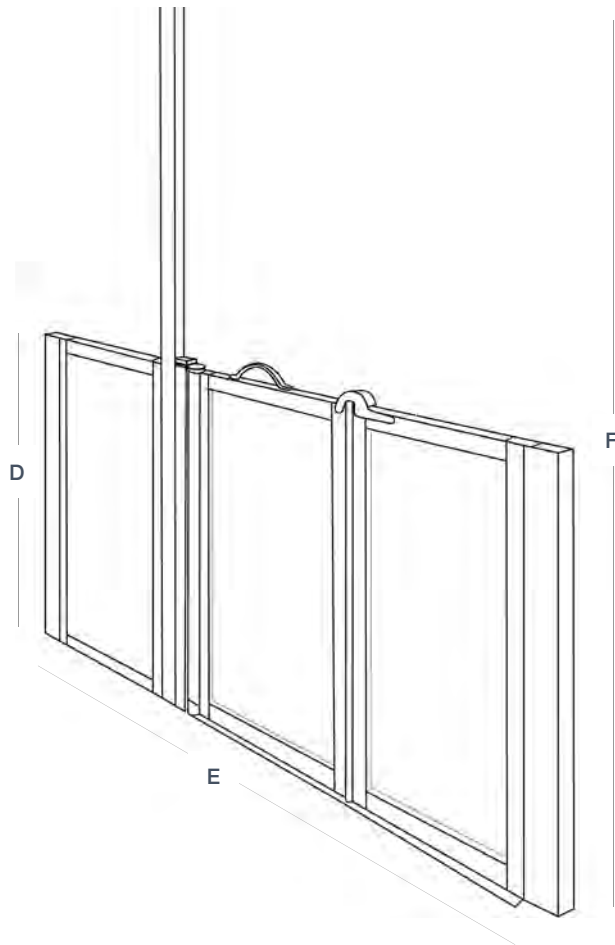
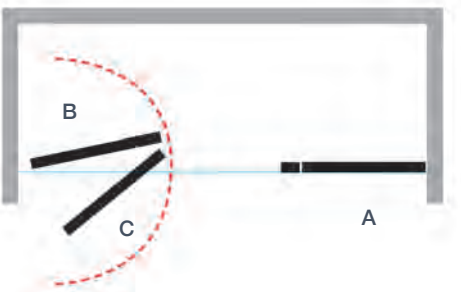
Each door set is supplied with a curtain rail and curtain(s).

Pro-doors - Front entry bi-fold door with fixed panel

Left Hand



Right Hand



Left Hand Illustrated

Left Hand

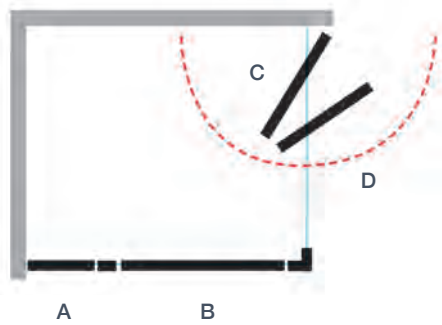
Tray Size	A	B	C	D	E	F	To Suit Tray	To Suit Wet Floor
900	185	371	313	750	869 - 949	2500	P6833570	P6833738
1000	285	371	313	750	969 - 1049	2500	P6833572	P6833740
1135	220	471	413	750	1104 - 1184	2500		P6833742
1200	285	471	413	750	1169 - 1249	2500	P6833574	P6833744
1300	385	471	413	750	1269 - 1349	2500	P6833576	P6833746
1400	485	471	413	750	1369 - 1449	2500	P6833578	P6833748
1500	485	521	463	750	1469 - 1549	2500	P6833580	P6833750
1600	585	521	463	750	1569 - 1649	2500	P6833582	P6833752
1700	685	521	463	750	1669 - 1749	2500	P6833584	P6833754

Right Hand

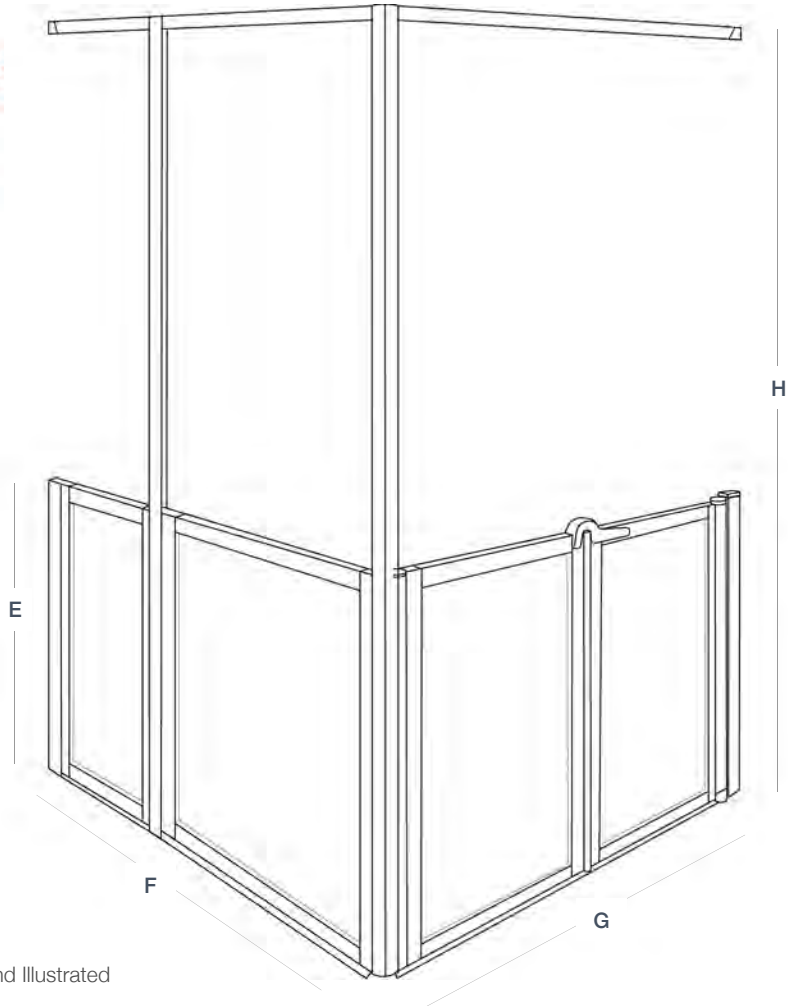
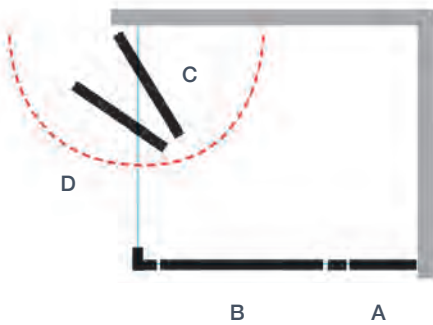
Tray Size	A	B	C	D	E	F	To Suit Tray	To Suit Wet Floor
900	185	371	313	750	869 - 949	2500	P6833571	P6833739
1000	285	371	313	750	969 - 1049	2500	P6833573	P6833741
1135	220	471	413	750	1104 - 1184	2500		P6833743
1200	285	471	413	750	1169 - 1249	2500	P6833575	P6833745
1300	385	471	413	750	1269 - 1349	2500	P6833577	P6833747
1400	485	471	413	750	1369 - 1449	2500	P6833579	P6833749
1500	485	521	463	750	1469 - 1549	2500	P6833581	P6833751
1600	585	521	463	750	1569 - 1649	2500	P6833583	P6833753
1700	685	521	463	750	1669 - 1749	2500	P6833585	P6833755

Each door set is supplied with a curtain rail and curtain(s).

Left Hand



Right Hand



Left Hand Illustrated

Left Hand

Tray Size	A	B	C	D	E	F	G	H	To Suit Tray	To Suit Wet Floor
900 x 900	185	691	454	417	750	876 - 936	871 - 911	2150	P6833590	P6833756
1000 x 1000	285	691	504	467	750	976 - 1036	971 - 1011	2150	P6833592	P6833758
1135 x 770	420	691	389	352	750	1111 - 1171	741 - 781	2150		P6833760
1200 x 700	485	691	354	317	750	1176 - 1236	671 - 711	2150	P6833594	
1200 x 800	485	691	404	367	750	1176 - 1236	771 - 811	2150	P6833596	
1200 x 1200	485	691	604	567	750	1176 - 1236	1171 - 1211	2150	P6833598	P6833762

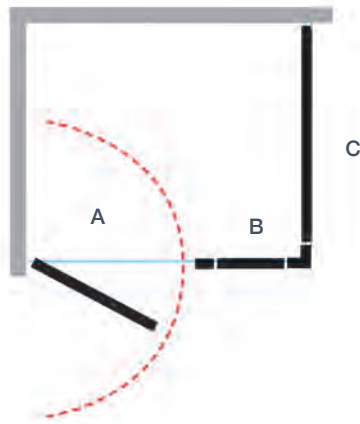
Right Hand

Tray Size	A	B	C	D	E	F	G	H	To Suit Tray	To Suit Wet Floor
900 x 900	185	691	454	417	750	876 - 936	871 - 911	2150	P6833591	P6833757
1000 x 1000	285	691	504	467	750	976 - 1036	971 - 1011	2150	P6833593	P6833759
1135 x 770	420	691	389	352	750	1111 - 1171	741 - 781	2150		P6833761
1200 x 700	485	691	354	317	750	1176 - 1236	671 - 711	2150	P6833595	
1200 x 800	485	691	404	367	750	1176 - 1236	771 - 811	2150	P6833597	
1200 x 1200	485	691	604	567	750	1176 - 1236	1171 - 1211	2150	P6833599	P6833763

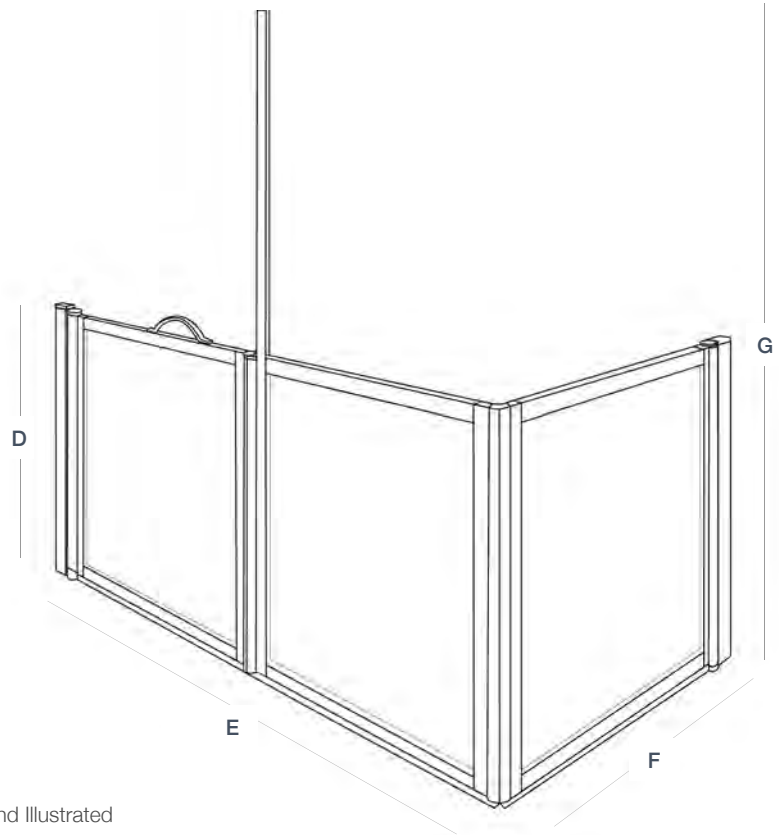
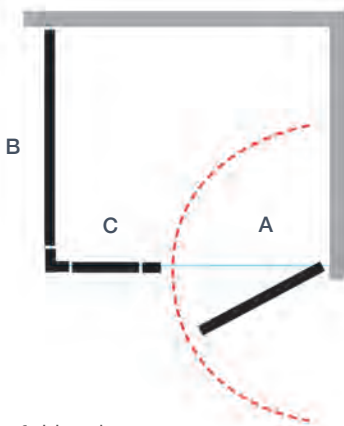
Each door set is supplied with a curtain rail and curtain(s). Please note: Our corner post (2150mm) and H section post (2500mm) can be cut to suit the preferred installation height of your shower curtain track.

Pro-doors - Front entry single door with fixed panel and side panel

Left Hand



Right Hand



Left Hand Illustrated

Left Hand

Tray Size	A	B	C	D	E	F	G	To Suit Tray	To Suit Wet Floor
1135 x 770	892	214	749	750	1106 - 1166	749 - 789	2500		P6833764
1200 x 700	892	279	679	750	1171 - 1231	679 - 719	2500	P6833670	
1200 x 800	892	279	779	750	1171 - 1231	779 - 819	2500	P6833672	
1300 x 700	892	379	679	750	1271 - 1331	679 - 719	2500	P6833674	
1300 x 800	892	379	779	750	1271 - 1331	779 - 819	2500	P6833676	P6833766
1400 x 700	892	479	679	750	1371 - 1431	679 - 719	2500	P6833678	
1400 x 800	892	479	779	750	1371 - 1431	779 - 819	2500	P6833680	
1400 x 900	892	479	879	750	1371 - 1431	879 - 919	2500		P6833768
1500 x 700	992	479	679	750	1471 - 1531	679 - 719	2500	P6833682	
1500 x 800	992	479	779	750	1471 - 1531	779 - 819	2500	P6833684	

Right Hand

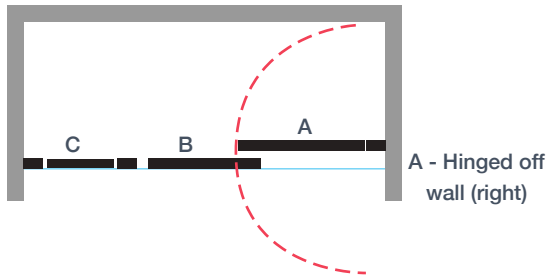
Tray Size	A	B	C	D	E	F	G	To Suit Tray	To Suit Wet Floor
1135 x 770	892	214	749	750	1106 - 1166	749 - 789	2500		P6833765
1200 x 700	892	279	679	750	1171 - 1231	679 - 719	2500	P6833671	
1200 x 800	892	279	779	750	1171 - 1231	779 - 819	2500	P6833673	
1300 x 700	892	379	679	750	1271 - 1331	679 - 719	2500	P6833675	
1300 x 800	892	379	779	750	1271 - 1331	779 - 819	2500	P6833677	P6833767
1400 x 700	892	479	679	750	1371 - 1431	679 - 719	2500	P6833679	
1400 x 800	892	479	779	750	1371 - 1431	779 - 819	2500	P6833681	
1400 x 900	892	479	879	750	1371 - 1431	879 - 919	2500		P6833769
1500 x 700	992	479	679	750	1471 - 1531	679 - 719	2500	P6833683	
1500 x 800	992	479	779	750	1471 - 1531	779 - 819	2500	P6833685	

Each door set is supplied with a curtain rail and curtain(s).

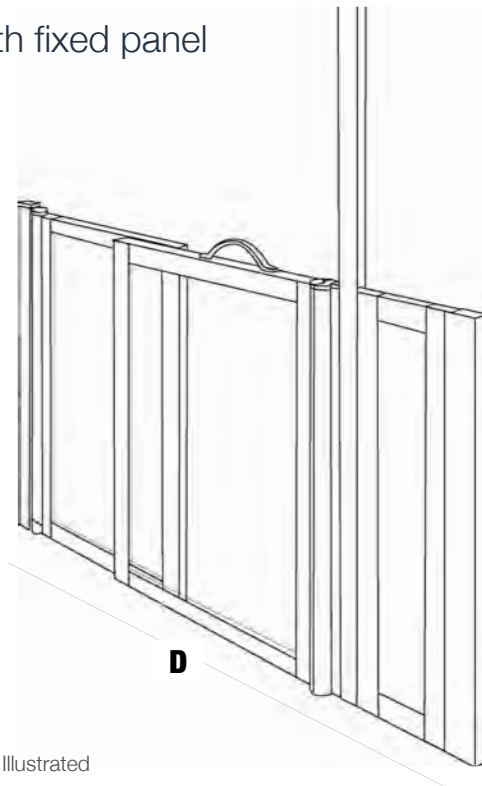
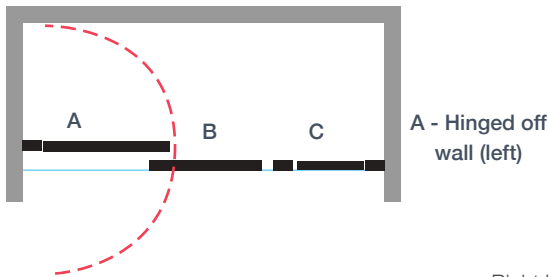
Pro-doors - Front entry sliding doors with fixed panel

Option
X

Left Hand



Right Hand



Right Hand Illustrated

Left Hand

Tray Size	A	B	C	D	E	To Suit Tray	To Suit Wet Floor
1800	775	755	450	1500 - 1800	750	P6832063	P6832065

Right Hand

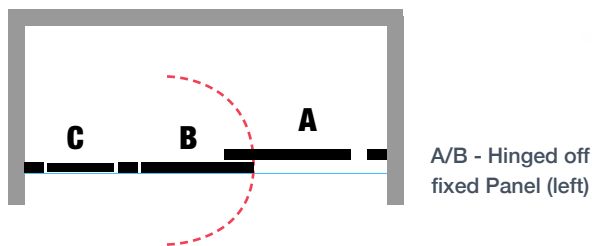
Tray Size	A	B	C	D	E	To Suit Tray	To Suit Wet Floor
1800	775	755	450	1500 - 1800	750	P6832064	P6832066

Each door set is supplied with a curtain rail and curtain(s).

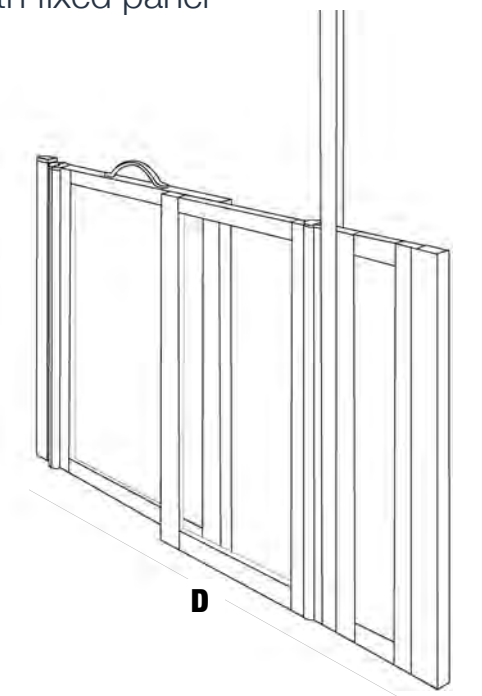
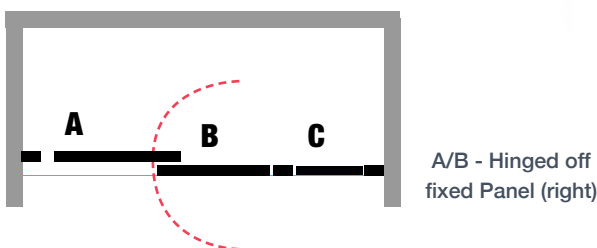
Pro-doors - Front entry sliding doors with fixed panel

Option
Y

Left Hand



Right Hand



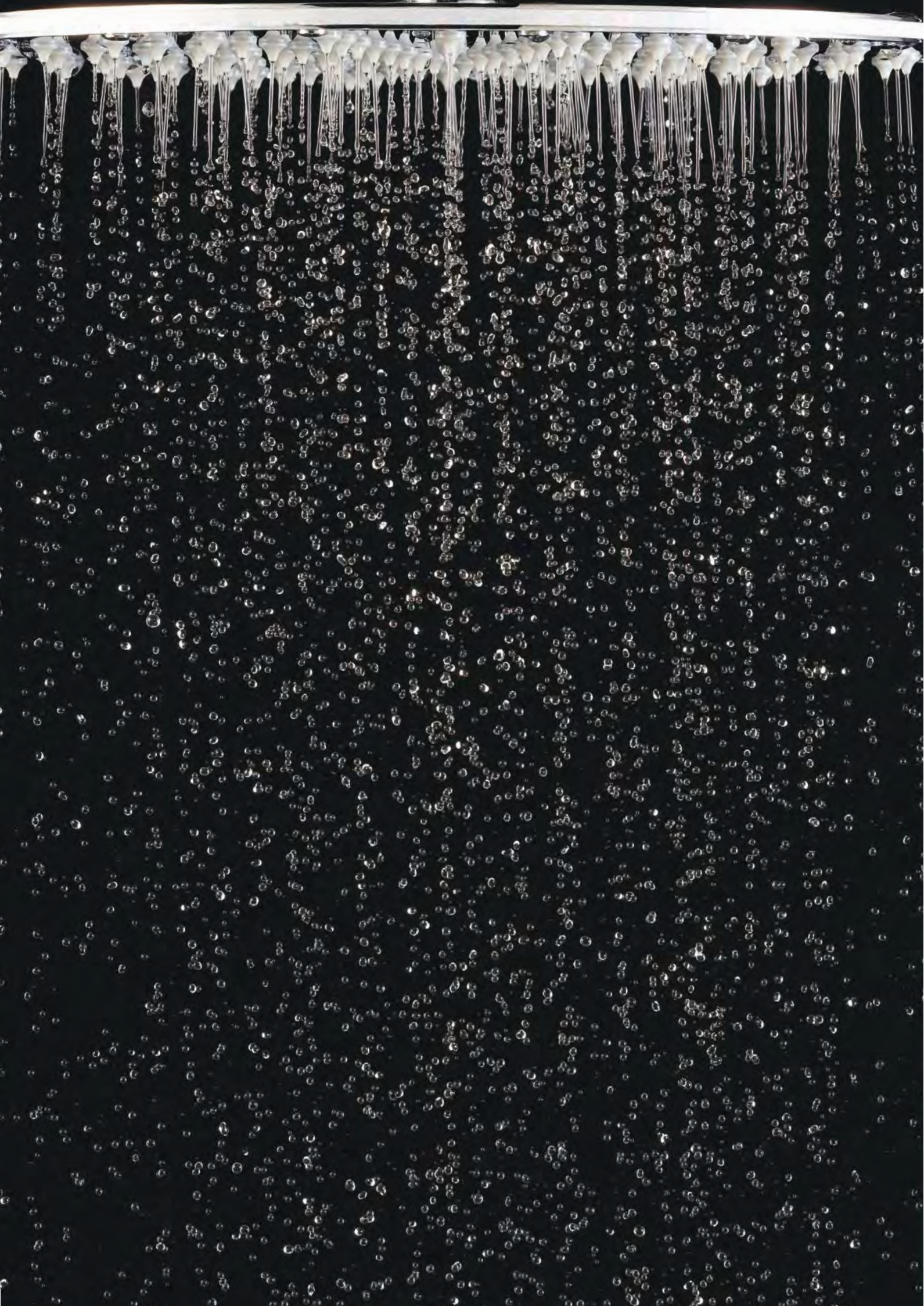
Left Hand

Tray Size	A	B	C	D	E	To Suit Tray	To Suit Wet Floor
1800	770	760	450	1500 - 1800	750	P6832067	P6832069

Right Hand

Tray Size	A	B	C	D	E	To Suit Tray	To Suit Wet Floor
1800	770	760	450	1500 - 1800	750	P6832068	P6832070

Each door set is supplied with a curtain rail and curtain(s).



Showering

Accessories

Electric Showers

Triton	81
Selectronic	81
Mira	82
Bristan	83

Thermostatic Mixers

Opac	84
Vue	84
Phlexitherm	84
Select Flex	84
Quadro	85
Traditional	85
Trend	86
Shower Riser Rail Kits	86-89
Mira Vision	88

Waste Gravity

Phleximax50 – Wet Floor	91
Vinyl Form	91
Phleximax S Series	90
Gravity Shower Gulley – Wet Floor	94
Gravity Waste Trap – Shower Tray	95

Waste Pumped

Pumped Waste System	96-99
---------------------	-------

Folding Shower Seats

Classic	101
Comfort Padded	101
Comfort Padded Horseshoe	102
Compact Padded	102
Evolve	102
Dual	103
Bariatric	104
Lucia	104
Siesta	104
Calm	105

Shower Curtains and Tracks

Flexible Curtains and Tracks	108-109
Fixed Curtains and Tracks	108-109



Showers

Electric and Thermostatic

N&C Phlexicare offer the most comprehensive range of both electric and thermostatic mixer showers with safety in mind. Hot water temperature is controlled and stabilised to avoid the potential for scalding. Thermostatic temperature stability, easy use controls, colour contrasted covers, tactile raised areas and extended riser kits are some of the extra features provided in our electric shower offer. Whilst manufacturing our own dedicated healthcare mixer showers, we also work closely with brand leaders, such as Triton, Mira and Redring to provide our customers with maximum choice.



Reducing the thermostat temperature on the boiler can be harmful to users as water systems can nurture a bacteria in water temperatures between 20-45°C which can cause Legionnaire's disease. As the water temperature rises above 60°C, the majority of legionella is killed within minutes. However the risk of scalding through high water temperatures can create a risk to vulnerable people. As a result, selecting the correct showering system is paramount to ensure the safety of users and avoid potential injuries gained through scalding, where users may not be able to react quickly enough to avoid serious harm.

We offer a range of Thermostatic Mixing Valves (TMV) for efficient blending of hot water (stored at temperatures high enough to kill bacteria) with cold water to deliver a constant and safe, outlet water temperature to baths and basins to prevent scalding.

TMV 3 - For use in high risk environments, hospitals, nursing homes and schools
TMV 2 - Domestic homes, housing associations, local authorities, housebuilders and hotels

Triton Omnicare Design Grab kit 8.5KW/9.5KW

Omnicare is proof that you can have a shower which is not only stylish but can be easily used regardless of the level of assistance required.

- Thermostatic temperature - Regulates water temperature within +/-1°C
- Audible feedback and tactile temperature dial with soft grey tones offers assistance to visually impaired users
- Reinforced riser rail kit designed to withstand up to 150kg support load, for optimum safety and support
- A soft press start/stop power button and looped lever handle

Product	Code
Omnicare Design 8.5KW with Extended Kit	P6820175
Omnicare Design 8.5KW with Grab Kit	P6820177
Omnicare Design 9.5KW with Extended Kit	P6820176
Omnicare Design 9.5KW with Grab Kit	P6820178



Triton Omnicare Style Grab kit 8.5KW/9.5KW

Omnicare is proof that you can have a shower which is not only stylish but can be easily used regardless of the level of assistance required.

- Thermostatic temperature - Regulates water temperature within +/-1°C
- Audible feedback and tactile temperature dial with soft grey tones offers assistance to visually impaired users
- Reinforced riser rail kit designed to withstand up to 150kg support load, for optimum safety and support
- A soft press start/stop power button and looped lever handle

Product	Code
Omnicare Style 8.5KW with Extended Kit	P6820179
Omnicare Style 8.5KW with Grab Kit	P6820180
Omnicare Style 9.5KW with Extended Kit	P6820181
Omnicare Style 9.5KW with Grab Kit	P6820182



Selectronic Premier

- Thermostatic operation
- Safety temperature lock with override function
- Audible feedback response to push button commands
- Large easy to press buttons
- Tactile button coding
- Phased shutdown
- Large LED readout
- White/Grey finish
- 1.25m hose with 674mm riser rail

Product	Code
Selectronic Premier Standard 8.5KW	P5280829
Selectronic Premier Standard 9.5KW	P5280830



Selectronic Premier Plus Care Model

- Thermostatic operation
- Safety temperature lock with override function
- Audible feedback response to push button commands
- Large easy to press buttons
- Tactile button coding
- Phased shutdown
- Large LED readout
- White/Grey finish
- 2m hose with 1120mm riser rail

Product	Code
Selectronic Premier plus care 8.5KW	P5280821
Selectronic Premier plus care 9.5KW	P5280827

Links directly to Hydroflow pump

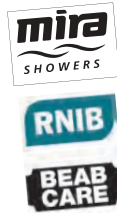
Product	Code
Selectronic WP plus 8.5KW	P5280824



Mira Advance ATL Flex Extra Bluetooth 9.0KW

- Bluetooth enabled to pair with Whale pump for unique Flood Reduction System
- Easily accessible controls free from clutter with high contrast on critical touch points. RNIB Approved Gold awarded
- Large easy press power button
- Audible and tactile features for the visually impaired user
- Light touch controls
- 4 different maximum temperature settings
- Mira Opti-flo Pro™ technology for consistent performance
- Mira Clearscale Pro™ technology that reduces limescale build up, meaning Advance will outlast the competition
- 110mm showerhead with 3 spray modes

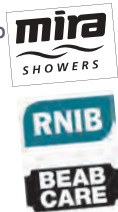
Product	Code
Mira Advance Bluetooth 9.0KW	S8050239



Mira Advance Flex

- Easily accessible controls free from clutter with high contrast on critical touch points. RNIB Approved Gold awarded
- Large easy press power button
- 4 different maximum temperature settings
- Mira Opti-flo Pro™ technology for consistent performance
- Mira Clearscale Pro™ technology that reduces limescale build up, meaning Mira Advance will outlast the competition
- Extra long easy to use slide bar with patented friction-grip showerhead holder
- 110mm showerhead with 3 spray modes

Product	Code
Mira Advance Flex 9.0KW	S8050203
Mira Advance Flex 9.8KW	S8050204



Mira Advance

- Easily accessible controls free from clutter with high contrast on critical touch points. RNIB Approved Gold awarded.
- Audible and tactile features for the visually impaired user
- 4 different maximum temperature settings
- Mira Opti-flo Pro™ technology for consistent performance
- Mira Clearscale Pro™ technology that reduces limescale build up, meaning Mira Advance will outlast the competition
- 110mm showerhead with 3 spray modes

Product	Code
Mira Advance 9.0KW	S8050201
Mira Advance 9.8KW	S8050202



Mira Advance Flex 9.0KW Low Pressure

- Endorsed by the Royal National Institute of the Blind (RNIB)
- Thermostatic temperature stability always within +/- 1°C
- Separate controls for temperature and flow
- Large audible, backlit, on/off push button for saved power and temperature controls
- Adjustable Temperature Limit from 8 settings with phased shutdown
- Integrated pump provides a strong and consistent flow at low pressure (min 80mm)
- 4 spray shower head
- Large, colour contrasted rotary lever, tactile raised areas
- 2m hose and extended 1m slide bar with friction bracket can be adjusted with one hand

Product	Code
Mira Advance Flex 9.0KW LP	S8050209



Bristan Joy 8.5KW

- Thermostatic temperature stability always within +/- 1°C
- One dial with audible bleeps/clicks
- Max temperature setting. Automatic shut off
- Large illuminated soft push stop/start button
- Large, colour contrasted rotary lever, tactile raised areas,
- 1.5m hose and 650mm slide bar



Product	Code
Joy Standard 8.5KW	P6820170



Bristan Joy Care 8.5KW

- Thermostatic temperature stability always within +/- 1°C
- One dial with audible bleeps/clicks
- Max temperature setting. Automatic shut off
- Large illuminated soft push stop/start button
- Large, colour contrasted rotary lever, tactile raised areas,
- 2m hose and 1m slide bar



Product	Code
Joy Care 8.5KW	P6820171



Bristan Joy Care 8.5KW - with long lever

- Thermostatic temperature stability always within +/- 1°C
- One dial with audible bleeps/clicks
- Max temperature setting. Automatic shut off
- Large illuminated soft push stop/start button
- Large, colour contrasted rotary lever, tactile raised areas,
- 2m hose and 1m slide bar



Product	Code
Joy Care with long lever 8.5KW	P6820172



Phlexitherm Quadro Sequential Shower Pack

- Thermostatic temperature stability always within +/- 2°C
- Simple lever control for on/off and temperature control.
- Pre-set factory temperature at 43°C
- Exposed or Concealed options
- 1 metre extended riser rail with 2 metre hose
- Automatic thermostatic switch off in the event of hot/cold failure
- Min pressure 0.1 bar

Product	Code
Phlexitherm Exposed Valve with kit	P6820098
Phlexitherm Concealed Valve with kit	P6820099



Select Flex Shower Pack - Including kit

- Thermostatic temperature stability always within +/- 2°C
- Cool touch valve technology
- Simple lever control for on/off and temperature control
- Separate controls for temperature and flow
- Extra long 2m hose
- Extended 1m slide bar with friction bracket can be adjusted with one hand
- Automatic thermostatic switch off in the event of hot/cold failure
- Min pressure 0.1 bar

Product	Code
Selectflex Shower Pack	P6820100



Opac Sequential Shower Valve

- Thermostatic temperature stability always within +/- 2°C
- Simple lever control for on/off and temperature control
- Pre-set factory temperature at 43°C
- Exposed or Concealed options
- Automatic thermostatic switch off in the event of hot/cold failure
- Minimum operating pressure 0.2 bar

Product	Code
Opac Exposed Valve	P6820145
Opac Concealed Valve	P6820146



Vue Sequential Shower Valve

- Thermostatic temperature stability always within +/- 2°C
- Simple lever control for on/off and temperature control
- Pre-set factory temperature at 43°C
- Exposed or Concealed options
- Automatic thermostatic switch off in the event of hot/cold failure
- Minimum operating pressure 0.2 bar

Product	Code
Vue Exposed Valve	P6820155
Vue Concealed Valve	P6820156



Quadro Shower Mixer

- Thermostatic operation TMV2
- 2 rotating dials
- 5 function showerhead
- Min operating pressure 0.2 bar
- Concealed 2 handle thermostatic shower valve
- Complete with showerhead, 600mm slide rail kit
- 1500mm smoothflex, anti-twist silver hose

Product	Code
Quadro Concealed Valve	S7007285



Quadro Shower Mixer

- Thermostatic operation TMV2
- 2 rotating dials
- 4 function showerhead
- Min operating pressure 0.2 bar
- Concealed 2 handle thermostatic shower valve
- Complete with showerhead, 600mm slide rail kit
- 1500mm smoothflex, anti-twist silver hose

Product	Code
Quadro Concealed Valve	S7007287



Quadro Shower Mixer

- Thermostatic operation TMV2
- 2 rotating dials
- Min operating pressure 0.2 bar
- Concealed 2 handle thermostatic shower valve
- Complete with showerhead, 600mm slide rail kit
- 1500mm smoothflex, anti-twist silver hose

Product	Code
Quadro Concealed Valve	S7007286



Quadro Shower Mixer

- Wall mounted shower arm
- 200mm diameter shower head
- Thermostatic operation TMV2
- 2 rotating dials
- Min operating pressure 0.2 bar
- Concealed 2 handle thermostatic shower valve

Product	Code
Quadro Concealed Valve	S7007288



Traditional Exposed Shower

- Exposed thermostatic shower valve TMV2
- Rigid riser with additional, adjustable shower head
- 150mm shower head and arm
- Min operating pressure 0.3 bar

Product	Code
Traditional Exposed Shower	S7007379



Trend Shower Mixer

- Wall mounted shower arm
- 200mm square shower head
- 2 rotating cross head operation
- Min operating pressure 0.2 bar
- Concealed 2 handle thermostatic shower valve
- Thermostatic operation TMV2



Product	Code
Trend Concealed Valve	S7007028



Trend Shower Mixer

- Thermostatic operation TMV2
- 2 rotating cross head operation
- 4 function showerhead
- Complete with showerhead, 600mm slide rail kit
- 1500mm smoothflex, anti-twist silver hose
- Min operating pressure 0.2 bar
- Concealed 2 handle thermostatic shower valve



Product	Code
Trend Concealed Valve	S7007027



Triton Inclusive Shower Kit

940 riser rail

- Dual purpose robust riser and grab rail
- Withstand support load of up to 150kg
- 5 spray pattern shower head
- Rail length 940mm, 2000mm hose length
- Removeable spray plate for cleaning
- Soap Dish



Product	Colour	Code
Triton Inclusive Shower Kit	White	P6820164

Triton Inclusive Shower Kit

940 riser rail

- Dual purpose robust riser and grab rail
- Withstand support load of up to 150kg
- 5 spray pattern shower head
- Removeable spray plate for cleaning
- Rail length 940mm, 2000mm hose length
- Soap Dish



Product	Colour	Code
Triton Inclusive Shower Kit	Chrome	P6820165

Essence Shower Kit

600 riser rail

- 6 function rub clean shower head
- Rail length 645mm, 1500mm hose length
- Soap Dish

Product	Code
Essence Shower Kit	S2260034



Silhouette Shower Kit

600 riser rail

- 3 function rub clean shower head
- Rail length 595mm, 1500mm hose length
- Soap Dish

Product	Code
Silhouette Shower Kit	S2260032



Assistive Showering Kit

600 stainless steel grab rail

- 600mm stainless steel grab rail with concealed fixings
- 4 function chrome handset
- 2m chrome hose
- Assistive slider bar with large easy to use button
- Optional ECO feature on shower head for upto 50% water saving

Product	Code
Assistive Shower Kit	P6820158



Eco Rub Shower Kit

910 extended rail

- 8 litre per minute flow regulator
- Reduced water consumption
- Single function shower head
- Rail length 910mm, 1750mm hose length
- Soap Dish

Product	Code
Eco Rub Shower Kit	P6820108



Combined Shower Kits

900 extended grab bar

- White steel grab rail
- Dual purpose robust riser and grab rail
- 2m chrome hose



Product	Code
Combined Shower Kit	P6820157

Mira Flex Shower Kit

1000 riser rail

- Extra long 1 metre easy glide slide bar
- Mira everclear showerhead to resist limescale
- Self drain and integrated pins for easy cleaning
- 2m hose
- Includes an extra shower head holder for additional height



Product	Code
Mira Flex Shower Kit	S8050294

Mira Vision Shower Mixer

The Mira Vision is a mixer shower with a difference.

This wireless remote controlled shower valve allows you to warm-up the shower from your bed; set the eco-mode to limit shower time; plus many more features all at the touch of a button. The shower unit can be rear or ceiling fed

- Quick & Easy to fit
- Wireless technology
- Push fit connections
- Flexible installation, any system, any position
- Rear or ceiling fed options
- Pumped or high pressure
- Thermostatic safety and maximum temperature setting
- Digital display – temperature or time



Mira Vision Wireless Controller, Access to program menu via front panel keys on user interface. All settings e.g. maximum temperature, adjusted on the control panel

Mira User Interface has simple, easy to use buttons:

- On/Off button
- Flow control buttons
- Temperature control buttons
- Clock / Temperature display
- In eco mode, shower time and flow rate limited

Product	Code
HP/Combi Mixer Ceiling Fed	S8050260
Pumped Mixer Ceiling Fed	S8050261
HP/Combi Mixer Rear Fed	S8050262
Pumped Mixer Rear Fed	S8050263
Remote Controller Accessory	S8050264
HP/Combi Mixer W/O FTGS	S8050265
Pumped Mixer W/O FTGS	S8050266

Phlexitherm Simplicity Multi Function Shower Kit

- Wall brackets and fixing
- 900mm riser rail
- Handset holder
- Soap dish
- 1.75m easy clean hose
- Multi function handset
- 8 ltr per min flow regulator

Product	Code
Multi Function Shower Kit	P6820114



Phlexitherm Simplicity Single Function Shower Kit

- Wall brackets and fixing
- 900mm riser rail
- Handset holder
- Soap dish
- 1.75m easy clean hose
- Single function handset
- 8 ltr per min flow regulator

Product	Code
Single Function Shower Kit	P6820108



Phlexitherm Simplicity Single Function Shower Kit

- Wall brackets and fixing
- 600mm riser rail
- Handset holder
- Soap dish
- 1.5m easy clean hose
- Single function handset
- 8 ltr per min flow regulator

Product	Code
Multi Function Shower Kit	P6820115



Phlexitherm Simplicity Grab Bar Shower Kit

- 900mm grab rail
- Handset holder
- 1.75m easy clean hose
- Single function handset

Product	Code
Grab Bar Shower Kit	P6820113





Gravity Wastes

The majority of shower trays and floor formers installed into bathrooms or wet rooms/zones rely on standard gravity drainage. However different site conditions and depths of trays, formers, screed etc. require a selection of drainage options.

Phleximax 50 Gulley

The Phleximax system is suitable for both vinyl and tiled floors. It is also 100% compatible with the Premier Shower Deck.

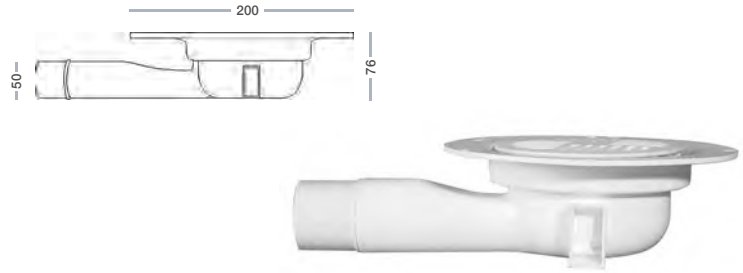


Phleximax 50 Two Part Gulley



Phleximax 50 - for wet floors

The Phleximax 50 is a multi-purpose drainage system for both concrete and wooden wet floor installations. Suitable for both vinyl and tiling. The overall diameter is 200mm, with a visible diameter of 120mm and flow rate of 48 litres per minute. Overall height is 76mm with an outlet diameter of 50mm. Supplied complete with adapter.



Product	Code Number
Phleximax 50	P6882441

Phleximax 50 Vertical - for wet floors

The Phleximax 50 Vertical is the same system but with a vertical outlet which allows a straight through floor drainage option. The overall diameter is 200mm, with a visible diameter of 120mm and flow rate of 48 litres per minute. The overall height is 189mm with an outlet diameter of 50mm. Supplied complete with adapter.

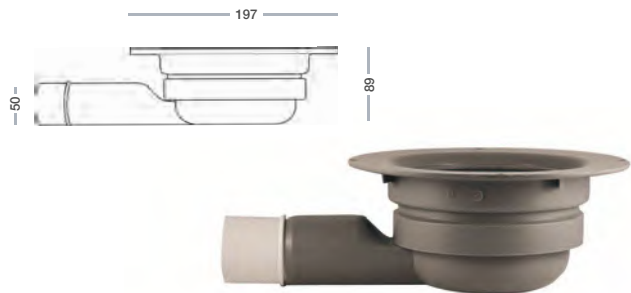


Product	Code Number
Phleximax 50 Vertical	P6882398

Phleximax 50 two part - for wet floors

This two piece gulley can be used in all floors but has been specifically designed for use with timber floors and Floor Formers and can be plumbed prior to the installation of the floor or Former. Supplied complete with adapter.

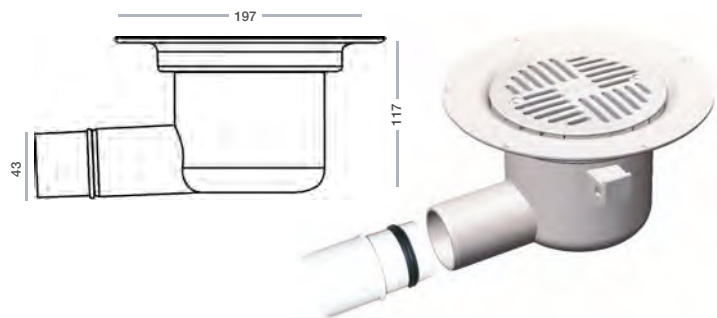
N.B : Height of standard Phleximax 50 P6882441 is 76mm. Height of Phleximax two part is 89mm



Product	Code Number
Phleximax 50 two part floor gulley	P6882471

Vinyl Form - for wet floors

The vinyl form wetfloor shower gulley has a visible diameter of 120mm, 197mm overall. It is 117mm high and has a flow rate of 48 litres per minute. Supplied complete with adapter.



Product	Code Number
Wetfloor Shower Gulley	P6820599

Grating for vinyl floors - stainless steel

Stainless steel 150mm diameter



Product	Code Number
Wave Grating	P6882453



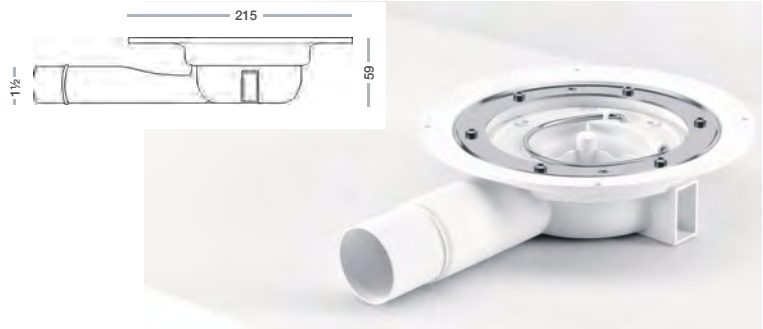
Product	Code Number
Drop Grating	P6882452



Product	Code Number
Art Deco Grating	P6882451

Phleximax S-Series 59mm - for wet floors

The 59mm Phleximax S-Series floor gully is suitable for both vinyl and tiled floor finishes. This gully is incredibly shallow, with a total height of 59mm which fits into shallow concrete slabs. With this type of gully you can avoid having to install a vertical outlet. Can not be used with shower decks.



Product	Code Number
S-Series 59mm	P6882488

Grating for floors - stainless steel

We have a variety of stainless steel grates available which are made to suit the Phleximax S-Series 59mm gully. The rounded 150mm diameter drop grate shown below is suitable for vinyl floors only, whereas the squared 200x200mm grates shown on the right hand side are suitable for tiled floors only.



Product	Code Number
Classic Grate	P6882487



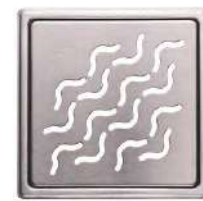
Product	Code Number
Art Deco Grate	P6882484



Product	Code Number
Drop Grate	P6882489



Product	Code Number
Drop Grate	P6882486



Product	Code Number
Wave Grate	P6882485

Phlexiknife

A tool for the professional craftsman when connecting a vinyl floor or tanking system to the Phleximax floor gully. P6882441. When using the waterproof pipe collar this tool should be used to cut the perfect circle for securing into the Phleximax gully system, alternatively it can be used for cutting vinyl prior to securing into the Phleximax 50.



Product	Code Number
Phlexiknife	P6882445



1. Place the foot of the Phlexiknife in the gully.



2. Lay the vinyl over the foot and press until the pivot pushes through.



3. Attach the arm of the knife to the pivot and cut out the hole.



4. Remove the foot of the Phlexiknife in the gully.



5. Heat the vinyl.



6. Put the clamping ring in place with the text facing upwards. Place the grating on top and press down.

Product	Code Number
Water Trap Phleximax	P6882444
Phlexi Plate 130	P6882446
Clamping Ring 130	P6882447
Locking Screws for Plastic Grating	P6882448
Locking Screws for Stainless Grating	P6882449
Phleximax Vinyl Grating	P6882450
Extension 130mm Gullies 13mm	P6882454
Extension 130mm Gullies 25mm	P6882455



Phleximax 50 Support Leg

Support leg for Phleximax 50 for concrete installations for linear drains.

Product	Code Number
Support Leg	P6882396



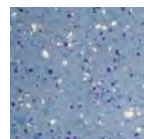
ikon

Wetroom Safety Vinyl Sheet

Safety Flooring
Ikon Wetroom Safety Vinyl Sheet

N&C Ikon Wetroom Safety Vinyl Sheet is a high performance, slip resistant, safety flooring for wet and dry areas for both barefoot and shod users. This enhanced slip resistant, safety vinyl floor covering has a raised emboss designed for applications where there are continuous wet areas, achieving a slip resistance PTV of 36+.

See pages 364-369 for the full Ikon range.



Ocean Blue



Seashore



Sand



Iceberg



Stone



Gravel

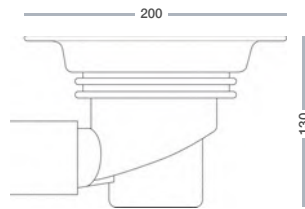


Coconut

Shower Gulley - for wet floors

This gulley can be used with a suitable vinyl flooring to create a wet area on a concrete or timber floor. Alternatively, the gulley can be used with our Premier shower deck floor former.

120mm visible diameter, overall diameter 200mm, 75mm water seal. 50mm outlet with 50mm x 38mm reducer. 130mm high.

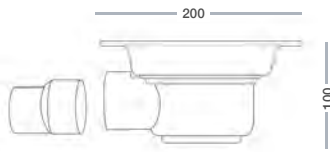


Product	Code Number
Shower Gulley TSG1	S2370511

Shower Gulley - for wet floors

This two part trapped gulley is suitable for use with a vinyl flooring to create a wet area on a concrete or timber floor, or use with the Premier shower deck.

100mm high. 120mm visible diameter, overall diameter 200mm. 50mm outlet with 50mm x 38mm reducer.

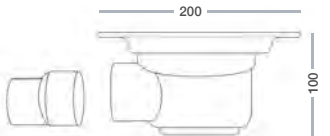


Product	Code Number
Shower Gulley TSG52	S2370521

Shower Gulley - for wet floors

This gulley can be used with a suitable vinyl flooring to create a wet area on a concrete or timber floor. This gulley can be used with our Premier shower deck floor former.

120mm visible diameter, overall diameter 200mm, 50mm water seal. 50mm outlet with 50mm x 38mm reducer. 100mm High

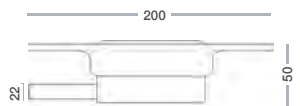


Product	Code Number
Shower Gulley TSG50	S2370520

Shower Gulley - for wet floors

This untrapped gulley can be used with a suitable vinyl flooring to create a wet area on a concrete or timber floor, or with the Premier shower deck. It can be used for pumped waste.

Visible diameter 120mm, 200mm overall diameter. 22mm outlet pipe with a 70mm extension pipe. 50mm high

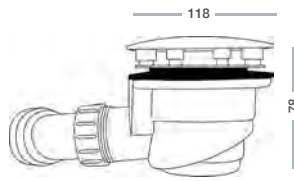


Product	Code Number
Untrapped Shower Gulley USG1	S2370515

90mm Waste - for shower trays

A 90mm rapid waste outlet that allows 48 litres of water to be carried away each minute. Its sleek lines perfectly complement the range. Made from recycled material. Conforms to BS EN 274-12002.

Can be used with our Nova Low Profile Shower Trays.

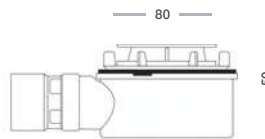


Product	Code Number
90mm Waste	S2220129

Gravity Waste Trap - for shower trays

A unique design of top access, combined waste and trap, for easy cleaning and maintenance. Only 50mm deep with a flow rate of 22ltr per minute.

This trap has been specifically designed for our Easy-Fit range of shower trays. 50mm high. 38mm outlet.

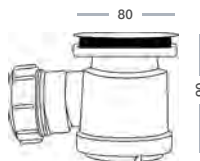


Product	Code Number
Gravity Waste Trap	S2370502

Gravity Waste Trap - for shower trays

This carefully designed waste fitting can be accessed from the top of the shower tray for easy cleaning and maintenance.

This waste fits the Universal, Multi-Fit, Floor Line and Flush Fit trays. 90mm high. 38mm outlet.

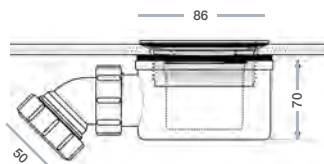


Product	Code Number
Gravity Waste Trap	S2370501

Waste Trap - for Trimline Shower Trays

Flow rate minimum 24 litres per min.

This minimalistic shower gully is designed to fit flush within the Trimline tray so as to give a seamless connection across the base of the tray. 90mm shower trap with a 50mm seal.



Product	Code Number
Waste Trap	S2220183



Pumped Wastes

Where gravity drainage is not an option, it is necessary to install a pumped shower waste system. However consideration should be given to the site circumstances as to which option is the most suitable.

Whale Pumped Waste Systems

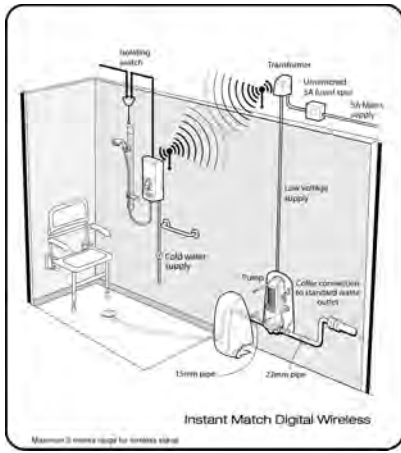
Gravity drainage is not always an option when fitting a level access shower base, for example in apartment blocks. Whale provide a reliable, proven solution for waste water removal. Using a small bore pipe, waste water is removed up from the shallow gully and raised by the pump into the existing waste system.



Features and Benefits

- Robust performance
- Hair, gels, grit and other shower waste pass through the pump without blocking
- Maintenance free -
No in-line filter is required therefore no internal cleaning is necessary
- Practical design -
Valves, integral to the pump, prevent odours escaping into the bathroom from the drainage pipe
- Versatility -
May be used with level access formers, screeded floors or shower trays
- Purge function -
Once the shower is switched off the pump automatically reduces speed as residual water is removed from the gully area. 15mins later the pump reactivates to remove pooled water

Whale Instant Match Digital Bluetooth



To minimise gulley suction noise the Whale Instant Match uses a digital signal sent from the Mira Advance Extra to automatically adjust the pump speed in relation to the flow rate of the shower.

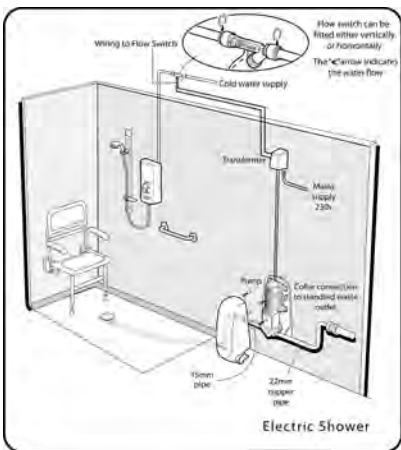
- No set-up required -plug and play
- Variable pump speed, tracks the flow rate of the Mira Advance Extra / Triton Omnicare
- No flow sensor / flow switch to fit
- Whale wet floor Whisper Gulley included as Standard



Note: For installation with any electric shower a Sika Flow Sensor can be fitted in-line.

Product	Code Number
Sika Flow Sensor	P6821643

Whale Standard



The original automatic shower drain kit with proven reliability is now combined with additional fixed pump speed settings (12), Active-Link diagnostics and Whale Whisper Gulley options.

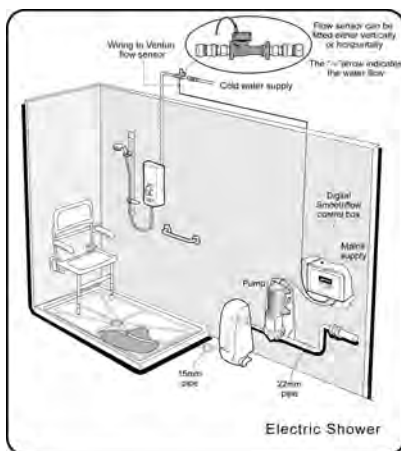
- 12 adjustable pump speed settings designed for electric and mixer shower
- Integrated flow switch and filter
- Wet floor kit includes Whisper Gulley
- Draws 3 metres from gulley Lifts 0.5 m Pumps up 1 metre
- Small pump and transformer will fit into tight spaces



Note: For mixer shower installations an additional flow switch and flow reducer is available (Mixer Valve Conversion Kit).

Product	Code Number
Flow Switch	P6821597

Whale Digital Smoothflow



The Digital Smoothflow Kit is designed to minimise gulley suction noise by precisely matching the pump flow rate to the shower flow rate.

- Variable pump speed - commissioned to each specific installation
- Variable speed ensures quiet operation of the system
- Suitable for electric and mixer shower installations
- Whale wet floor Whisper Gulley included as standard



Note: For mixer shower an additional flow sensor is required.

Product	Code Number
Mixer Valve Conversion Kit	P6821628

Whale Instant Match Premium System

The Instant Match Premium is designed specifically to solve shower drainage problems in modern wetrooms, allowing you to create your ideal bathroom without compromise. Allows you to easily achieve a step-free showering area in your new en-suite bathroom, wetroom, or converted loft space.

- Quiet operation with built in anti-vibration mounts.
- Acoustically tested
- Latest Switch Mode technology in transformer
- Lightweight all in one unit
- Plug and Play operation
- Standby power 0.45W

Product	Colour	Code Number
Instant Match Premium	White	P6821641



Suitable for use with our Universal, Floor Line and Flush Fit trays.

Whale Automatic Shower Tray System

This option is supplied with a flow switch, which should be located in the water supply line to the shower. When the shower is turned on, the pump starts automatically. The pump will then turn off automatically after the over-run when the shower is turned off.

One flow switch is required if used with a single supply of water. Where two water supply inlets are used a second flow switch must be fitted to enable the pump to operate effectively (available as part of the Mixer Valve Conversion Kit AK1570 P6821628 which also includes a flow reducer)

Product	Colour	Code Number
Automatic Shower Tray System	White	P6821590



Suitable for use with our Universal, Floor Line and Flush Fit trays.

Whale Automatic Wet Floor System

This option comes with a flow switch for automatic operation and is suitable for wet floor installations.

The system comes complete with pump, pump cover, transformer, 200mm dia. x 35mm deep bottom waste and pipe fittings. Pump cover size - 340mm high x 180mm wide x 130mm projection

Note: For mixer shower installations an additional flow switch and flow reducer is available (Mixer Valve Conversion Kit) P6821628

Product	Colour	Code Number
Automatic Wet Floor System	White	P6821589



Suitable for use with our Premier Shower Deck floor former or other wet floor areas where vinyl sheeting is used.

Whale Digital Smoothflow Tray and wet floor

The Digital Smoothflow tray and wet floor kit is designed to eliminate gulley suction noise by precisely matching the pump flow rate to the shower flow rate.

This system may be purchased as a complete kit including the control unit, tray & wet floor waste and pump. Suitable for electric and mixer shower installations for flow rates of up to 12ltrs per minute. Whale wet floor whisper gully included as standard.

Note: For mixer shower installations an additional flow sensor is required P6821643



Suitable for use with our Premier Shower Deck, Universal, Easyfit, Flushfit and Floorline trays.

Product	Colour	Code Number
Digital Smoothflow	White	P6821582

Whale Instant Match Digital Bluetooth Tray and wet floor

To minimise gulley suction noise the Whale Instant Match Digital Bluetooth® uses a digital signal sent from the Mira Advance Extra to automatically adjust the pump speed in relation to the flow rate of the shower. Variable Pump Speed, tracks the flow rate of the Mira Advance Extra.

No set-up required – plug and play. No flow sensor / flow switch to fit. Whale Wet Floor Whisper Gulley and tray gully included as standard. The Whale Instant Match Digital Bluetooth is also compatible with the Triton Omnicare.

Note: For installation with any electric shower a Sika Flow Sensor can be fitted Inline P6821643



Suitable for use with our Premier Shower Deck, Universal, Easyfit, Flushfit and Floorline trays.

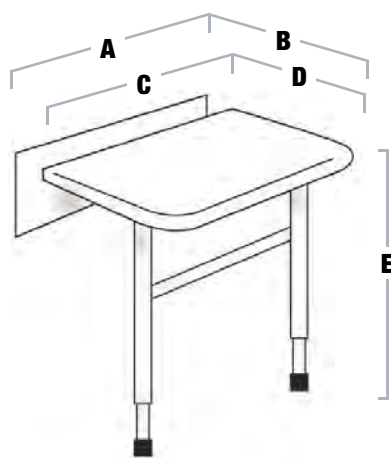
Product	Colour	Code Number
Instant Match Digital Bluetooth	White	P6821576



Shower Seats

Important features of a bathroom are often overlooked. A shower seat, whether placed in the shower area or in the shower room itself is a key element for comfort and safety. Our shower seat range allows a choice of wall mounted and height adjustable seats that can be fixed or folded back. Various sizes and styles allow a traditional or contemporary look to be achieved and complement the rest of the bathroom furniture.

Made from high quality materials and manufactured to EN and British standards, all our seats are easy clean and maintenance free. The diversity of the range means varied levels of support can be accommodated as well as differing budget requirements.



Technical Details:

- A = Overall width
- B = Overall depth
- C = Seat width
- D = Seat depth
- E = Height adjustment
- F = Maximum weight

Our range of shower seats can be used in many varied showering applications, both inside and outside of the showering area.

As these seats are wall mounted consideration should be given to the type of fixings used to secure them.

The appropriate fixings (not supplied) to suit the wall construction should be used and advice is available from your local depot.

Classic Shower Seat - with backrest, arms and legs

The Classic folding seat shower seat has proven to be one of the most popular shower seats available in the UK. The seat is height adjustable enabling it to be set at various heights to suit the user. The legs have fine adjustments to compensate for any variations in the shower tray and the arms lift independently enabling safe and controlled transfer. The frame is manufactured from rust free aluminium and the clip-on seat is injection moulded making it an excellent solution for long term maintenance free use.

Product	Colour	Code Number
Classic Folding Shower Seat	White	P6828707

Technical Details:

- A = 590mm
- B = 540mm
- C = 460mm
- D = 380mm
- E = 440 - 590mm
- F = 190kg (30st)



Classic Shower Seat - with legs

The seat is height adjustable enabling it to be set at various heights to suit the user. The legs have fine adjustments to compensate for any variations in the shower tray. The frame is manufactured from rust free aluminium and the clip-on seat is injection moulded making it an excellent solution for long term maintenance free use.

Product	Colour	Code Number
Classic Folding Shower Seat	White	P6828702

Technical Details:

- A = 470mm
- B = 420mm
- C = 460mm
- D = 380mm
- E = 460 - 540mm
- F = 190kg (30st)



Comfort Padded Shower Seat - with backrest, arms and legs

The Comfort folding shower seat has proven to be one of the most popular shower seats available. The padded seat is height adjustable enabling it to be set at various heights to suit the user. A fine adjustment leg is fitted to compensate for any variations in the shower tray and the arms lift independently enabling safe and controlled transfer. The frame is manufactured from rust free aluminium and the clip-on seat is injection moulded making this seat an excellent solution for long term maintenance free use.

Product	Colour	Code Number
Comfort Folding Shower Seat	Grey	P6828692

Technical Details:

- A = 590mm
- B = 540mm
- C = 460mm
- D = 380mm
- E = 470 - 590mm
- F = 190kg (30st)



Comfort Shower Seat - with legs

The padded seat is height adjustable enabling it to be set at various heights to suit the user. A fine adjustment leg is fitted to compensate for any variations in the shower tray.

Product	Colour	Code Number
Comfort Folding Shower Seat	Grey	P6828700

Technical Details:

- A = 470mm
- B = 420mm
- C = 460mm
- D = 380mm
- E = 470 - 615mm
- F = 190kg (30st)



Comfort Padded Horseshoe Shower Seat - with backrest, arms and legs

The Comfort folding padded horseshoe shower seat with back rest and arms is designed for hygienic personal bathing. It has the added benefits of an ergonomically designed padded back for improved comfort and independently folding padded arms to improve user safety and aid transfer. Both the polyurethane seat and back are detachable for improved cleaning and maintenance if required.

Product	Colour	Code Number
Comfort Padded Horseshoe Seat	Grey	P6828694

Technical Details:

A = 589mm
 B = 546mm
 C = 460mm
 D = 380mm
 E = 460 - 590mm
 F = 190kg (30st)



Compact Padded Shower Seat - with legs

The Compact shower seat with legs, offers an ideal solution where installation space is limited. The seat also enjoys the benefit of having fine adjustment legs; it is also very easy to clean and has an integral anti-bacterial finish which resists 99.9% of bacteria including E. Coli and MRSA.

Product	Colour	Code Number
Compact Padded Seat	White	P6828719
Compact Padded Seat	Grey	P6828718

Technical Details:

A = 400mm
 B = 380mm
 C = 360mm
 D = 280mm
 E = 480 - 550mm
 F = 159kg (25st)



Evolve Seat - with backrest, arms and legs

Designed to make showering a comfortable experience, Evolve has been aesthetically and ergonomically designed with safety and comfort in mind. Features a padded seat, arms, and backrest. Supplied with easily adjustable leg supports to enable installation at the optimum height.

Product	Colour	Code Number
Evolve Shower Seat	Blue	P6828733
Evolve Shower Seat	Grey	P6828734

Technical Details:

A = 610mm
 B = 500mm
 C = 460mm
 D = 380mm
 E = 410 - 650mm
 F = 285kg (45st)



Evolve Seat - with legs

Evolve shower seat supplied with easily adjustable leg supports to enable installation at the optimum height.

- 100% aluminium and stainless steel frame
- Removable PU pads via thumbscrew
- Unique padded seat with water outlet

Product	Colour	Code Number
Evolve Shower Seat	Blue	P6828731
Evolve Shower Seat	Grey	P6828732

Technical Details:

A = 500mm
 B = 420mm
 C = 460mm
 D = 380mm
 E = 410 - 650mm
 F = 285kg (approx 45 st)



Dual Shower Seat - with backrest, arms and legs

The Dual folding shower seat features a unique 2 in 1 seat with a large removable cutaway for personal bathing. The large seat and back are generously padded for comfort and the arms fold independently for ease of transfer.

Product	Colour	Code Number
Dual Folding Shower Seat	Blue	P6828691

Technical Details:

A = 615mm
 B = 530mm
 C = 495mm
 D = 365mm
 E = 470 - 620mm
 F = 190kg (30st)



Comfort Deluxe Shower Seat - with backrest, arms and legs

Polished aluminium frame Adjustable leg supports with both E-clip adjustment and fine adjustment Clip on black plastic seat Removable black PU pad for user comfort Black PU back and arm rests

Product	Colour	Code Number
Comfort Deluxe Shower Sseat	Black	P6826251

Technical Details:

A = 464mm
 B = 492mm
 C = 464mm
 D = 376mm
 E = 430 - 630mm
 F = 250kg



Comfort Deluxe Shower Seat - with legs

Polished aluminium frame Adjustable leg supports with both E-clip adjustment and fine adjustment Clip on black plastic seat Removable black PU pad for user comfort

Product	Colour	Code Number
Comfort Deluxe Shower Sseat	Black	P6826250

Technical Details:

A = 464mm
 B = 407mm
 C = 464mm
 D = 376mm
 E = 430 - 630mm
 F = 250kg



Shower Seat - Freestanding

A portable, stackable shower chair designed for improved safety and comfort. The moulded polypropylene seat shell offers maximum drainage, whilst the tubular steel construction and rubber ferrule leg tips offer strength and safety for confidence in the shower.

Product	Colour	Code Number
Shower Seat	White	P6828716

Technical Details:

A = 570mm
 B = 550mm
 C = 440mm
 D = 410mm
 E = 410-540mm
 F = 127kg (20st)



Classic Bariatric Shower Seat - with legs

Our bariatric shower seat has been designed with an extra wide seating area for comfort and support. Supplied with adjustable leg supports suited to various user heights to withstand a weight of up to 455kg (71 stones).

Product	Colour	Code Number
Classic Bariatric Shower Seat	White	P6828725

Technical Details:

A = 767mm
 B = 460mm
 C = 693mm
 D = 562mm
 E = 478 - 578mm
 F = 455kg (approx 71 st)



Bariatric Shower Seat - with legs and arms

The Bariatric seat has been specially designed to provide safety and comfort to people whose weight and height require the use of a wide bariatric shower seat design.

- Stainless Steel Frame
- Grey Comfort Pads
- Made from easy clean seamless polyurethane material
- Maximum load bearing weight of 317kg/50st

Product	Colour	Code Number
Bariatric Shower Seat	Grey	P6828715

Technical Details:

A = 740mm
 B = 600mm
 C = 620mm
 D = 400mm
 E = 440m - 580mm
 F = 317kg (50st)



Lucia Shower Seat

The Lucia shower seat is a luxury padded wall mounted fold down seat in polyurethane and polished chrome finish and is completed with a luxurious back rest.

Product	Colour	Code Number
Lucia Shower Seat	White	P6826252
Lucia Shower Seat	Black	P6826253

Technical Details:

A = 355mm
 B = 325mm
 C = 355mm
 D = 325mm
 E = N/A
 F = 165kg (25st)



Siesta Shower Seat

The simple but stylish shower seat will complement any bathroom. Suitable for domestic and other confined shower installations, made from white soft ABS plastic.

Product	Colour	Code Number
Siesta Shower Seat	White	P6824001

Technical Details:

A = 350mm
 B = 337mm
 C = 350mm
 D = 240mm
 E = N/A
 F = 100kg (16st)



Ropox Shower Seat Wall Mounted

This ergonomically designed stylish seat is the ultimate in comfort. Its Polyurethane cover is both comfortable and supportive. This material is durable and insulated, so that the seat does not feel cold or hard. The main seat profile has an aluminium stainless steel frame for strength and rigidity. The seat has softly rounded corners and soft edges to facilitate cleaning. The design lends itself to secure and pleasant showering. The standard max. load is 150 kg,

Product	Colour	Code Number
Ropox Wall Mounted	Blue	P6828803

Technical Details:

A = 469mm
 B = 552mm
 C = 469mm
 D = 500mm
 E = N/A
 F = 150kg (23st)



Ropox Shower Seat Wall Mounted - with leg

This ergonomically designed stylish seat is the ultimate in comfort. Its Polyurethane cover is both comfortable and supportive. This material is durable and insulated, so that the seat does not feel cold or hard. The main seat profile has an aluminium stainless steel frame for strength and rigidity. The seat has softly rounded corners and soft edges to facilitate cleaning. The design lends itself to secure and pleasant showering. The standard max. load with leg is 200 kg.

Product	Colour	Code Number
Ropox Wall Mounted with leg	Blue	P6828804

Technical Details:

A = 469mm
 B = 552mm
 C = 469mm
 D = 500mm
 E = 440 - 540
 F = 200kg (31st)



Calm Shower Seat

This stylish fold up shower seat is made from white polypropylene with stainless steel fixings. It is simple to fit and easy to clean.

Product	Colour	Code Number
Fold up shower seat	White	P6828687

Technical Details:

A. 420mm
 B. 420mm
 C. 420mm
 D. 350mm
 E. N/A
 F. 100kg (15st)



Calm Shower Seat - with backrest and legs

This stylish fold up shower seat with backrest and legs is made from white polypropylene with stainless steel fixings. It is easy to fit and easy to clean.

Product	Colour	Code Number
Fold up seat with backrest and legs	White	P6828688

Technical Details:

A. 420mm
 B. 420mm
 C. 420mm
 D. 350mm
 E. 390-485mm
 F. 120kg (18st)







Shower

Curtains and Track

Choosing the right curtain and track system for your bathroom environment is an important finishing touch. The quality of the products is key, whether flexible, shaped or straight rail solutions are required, a wide choice is available.



Features and Benefits:

- Flexible, straight, L, U and angled rails
- Chrome Rails
- White coated aluminium rails
- Wide range of sizes
- Ceiling support supplied
- Brackets, gliders and hooks also supplied
- White shower curtains with weighted hems
- Various sizes

Chrome Rail - for straight fixing between walls

Create standard straight rails with this very versatile, self assembly 25mm diameter chrome system.

Product	Colour	Code Number
915mm Long 25mm diameter	Chrome	S2238001
1220mm Long 25mm diameter	Chrome	S2238002
1675mm Long 25mm diameter	Chrome	S2238003
1830mm Long 25mm diameter	Chrome	S2238514
2440mm Long 25mm diameter	Chrome	S2238515

Product	Colour	Code Number
Exposed fixing flanges (pair)	Chrome	S2238005



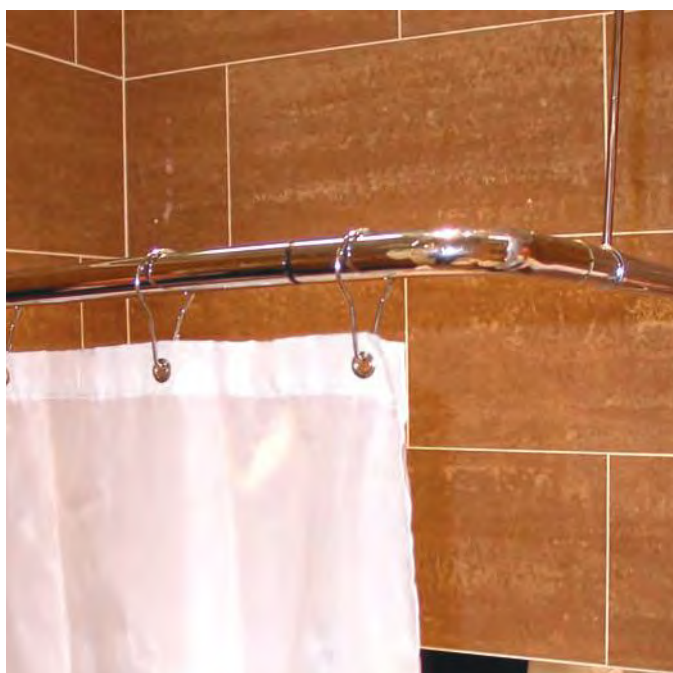
Chrome Rail - for 'L' and 'U' fixing

Create 'L' and 'U' shaped or standard straight rails with this very versatile, self assembly 25mm diameter chrome system.

Product	Colour	Code Number
710mm Long 25mm diameter	Chrome	S2238511
865mm Long 25mm diameter	Chrome	S2238512
1170mm Long 25mm diameter	Chrome	S2238513
1830mm Long 25mm diameter	Chrome	S2238514
2440mm Long 25mm diameter	Chrome	S2238515

Product	Colour	Code Number
Concealed Fixing Flanges	Chrome	S2238501
Spring Curtain Hooks x 12	Chrome	S2238531
Angle Bend	Chrome	S2238502

Product	Colour	Code Number
915mm Adj. Ceiling Support Stay	Chrome	S2238521
455mm Adj. Ceiling Support Stay	Chrome	S2238522



Flexible Shower Curtain Track

A flexible white coated aluminium shower curtain track is supplied as a straight section to be used between walls or can alternatively be easily bent into shape on site for corner installations. Track supplied complete with 610mm adjustable ceiling support, easy glide rollers and 12 hooks.

Product	Colour	Code Number
2900mm Long Track with Fittings	White	S2239601
2400mm Long Track with Fittings	White	S2239611

Product	Colour	Code Number
Hooks Pack of 12	White	S2239615

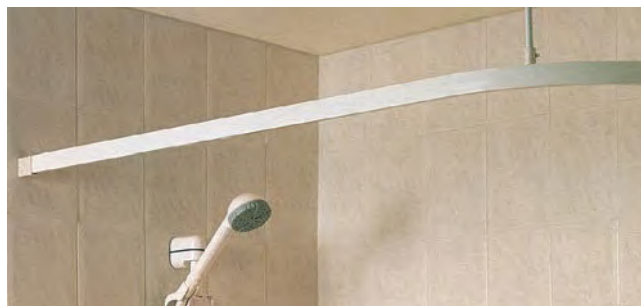
Product	Colour	Code Number
610mm Ceiling Support Stay	White	S2239610
1200mm Ceiling Support Stay	White	S2239609



Angle Shower Curtain Track

Pre-bent angle anodised aluminium shower track is supplied complete with brackets, gliders, hooks and in the case of angle rails a ceiling support.

Product	Colour	Code Number
760mm x 760mm Angle Rail	Silver	S2239501
760mm x 760mm Angle Rail	White	S2239558
915mm x 915mm Angle Rail	Silver	S2239511
915mm x 915mm Angle Rail	White	S2239559
1700mm x 760mm Angle Rail	Silver	S2239521
1700mm x 760mm Angle Rail	White	S2239560

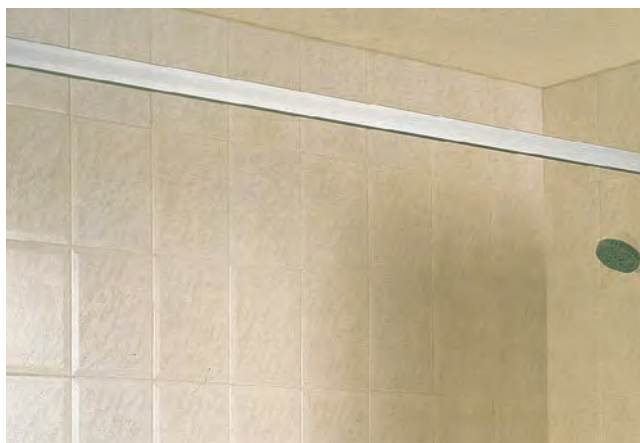


Product	Colour	Code Number
1830mm x 760mm Angle Rail	Silver	S2239531
1830mm x 760mm Angle Rail	White	S2239561
1500mm x 1200mm Angle Rail	Silver	S2239541
1500mm x 1200mm Angle Rail	White	S2239562
Spare Hooks Pack of 12	White	S2239550

Straight Shower Curtain Track

Silver anodised aluminium shower track is supplied complete with brackets, gliders and hooks.

Product	Colour	Code Number
915mm Straight Rail	Silver	S2239011
915mm Straight Rail	White	S2239555
1830mm Straight Rail	Silver	S2239021
1830mm Straight Rail	White	S2239556
2440mm Straight Rail	Silver	S2239031
2440mm Straight Rail	White	S2239557



Shower Curtains

White shower curtains with weighted hems are supplied with most of our Pro-door showering system packs. If further curtains should be required they can be purchased separately.

Product	Colour	Code Number
1830mm Wide x 1830mm Drop	White	S2238541
1830mm Wide x 2135mm Drop	White	S2238540
2000mm Wide x 2000mm Drop	White	S2238545
2135mm Wide x 2135mm Drop	White	S2238542
1800mm Wide x 1400mm Drop	White	S2238543

Product (Extra Heavy Duty 22gm)	Colour	Code Number
2135mm Wide x 2135mm Drop	White	S2238544
2400mm Wide x 1830mm Drop	White Stripped	S2238546



Flexible Shower Curtain Track

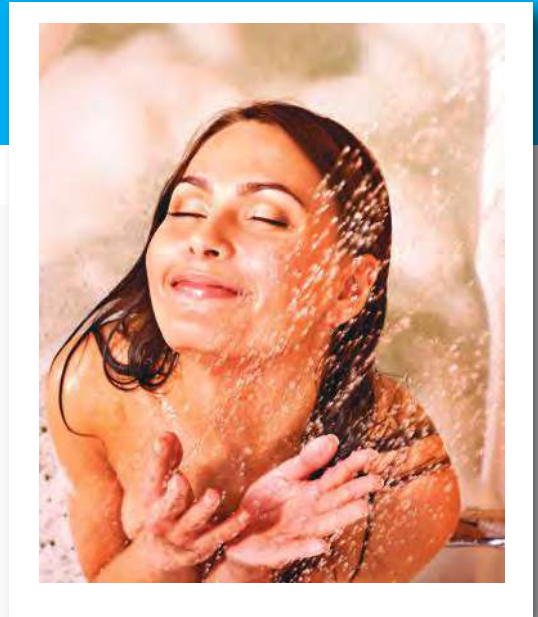
This flexible white shower curtain track is supplied complete with 320mm adjustable ceiling support, easy glide rollers and hooks.

Product	Colour	Code Number
2500mm Long Track with Fittings	White	S2239620
3000mm Long Track with Fittings	White	S2239621



Total wet room solutions

in five easy steps...



Components manufactured to work in harmony for a leak free solution with confidence

1 Wet Floor Former

Our Premier Shower Deck is an easy to install, robust floor former that can be tiled directly onto. It creates a level access floor into the shower area and assists the flow of water to the drain

2 Drainage

Opt for either standard or linear drainage with a tile insert option, or from a selection of our stylish stainless steel gratings

3 Tanking System

Create a watertight environment with total confidence by using our complete tanking system which includes easy to use self adhesive collars and waterproof tape

4 Shower Screens

Select from our attractive range of modern toughened shower screens available in a range of sizes for any room size

5 Tiles & Accessories

Choose from our huge range of on trend wall & floor tiles, undertile heating and bathroom accessories



Wet Room

solutions

Floor Formers

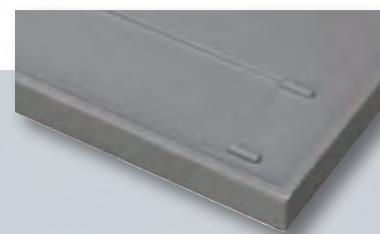
Premier Infinity Shower Deck	112-115
Premier Shower Deck	116-121

Shower Screens

Finesse Two	122-125
Enhance	126-127
Enhance 8	128-129
Astra Two	130-131
Creative	132-133
Transform	134-135
Fluidity	136-139
Freespace Two	140-144

Wet Room Drainage

Phleximax 50	146-148
Phleimax Tile Drain Assembly	146
Phlexiline Living	147-148
Phleximax S Series	149
Waterproof Tanking	150-151
AquaMagic	152-153



Premier Infinity

Shower Deck

**Unique waterproof revolutionary factory fitted sliding drain system.
Experience Luxury with the Invisible Infinity Deck System**

Our N&C Premier Infinity Deck is a revolutionary shower deck with a unique, factory-fitted waste outlet which can be moved along by the installer to align the waste in the correct position. The sliding action of the outlet means that the deck can be sited in a convenient position where obstacles such as a joist can be avoided.



The deck also features a unique waste removal system, which means that the finished result is an invisible, seamless and highly attractive waste system that is discreet and attractive. The precision engineered single direction gradient, complemented by the stainless steel edge allows for the high volume removal of waste water.

This is a highly innovative approach to linear decks where we offer a practical, attractive and fuss free alternative to other conventional linear drainage systems.





Features and benefits:

- Factory fitted waste outlet for total confidence of a leak free connection
- Moveable waste to avoid joists in the floor during installation
- Against the wall invisible drainage system that allows for seamless, unobtrusive water removal
- Comes with a drain insert that can be tiled
- Manufactured using high strength precision metal moulds
- Strong & durable made from 50% recycled material
- Built-in 12.5mm upstand
- Can be tiled directly on to
- Avoid envelope cutting of tiles as system uses single, gradual slope
- Built in gradients for water removal to the waste
- Ideal for total level access
- Self supporting, no additional support
- Accepts 470kg point loading



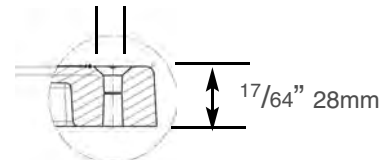
With threaded waste outlet
38mm



Slideable waste, up to 175mm,
to avoid joists



Invisible drainage system



Level Access



Factory Fitted
Linear Waste



Recycled
Content



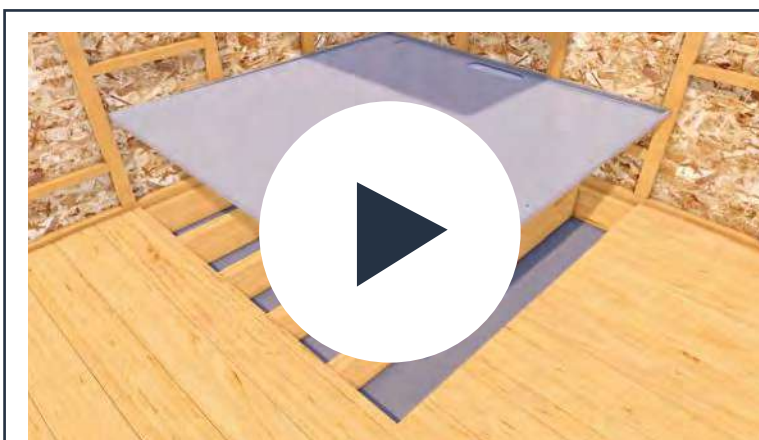
Bed in to
Wood



Bed in to
Concrete



Use with
Tiles



N&C Premier Infinity Shower Deck
Installation video available:

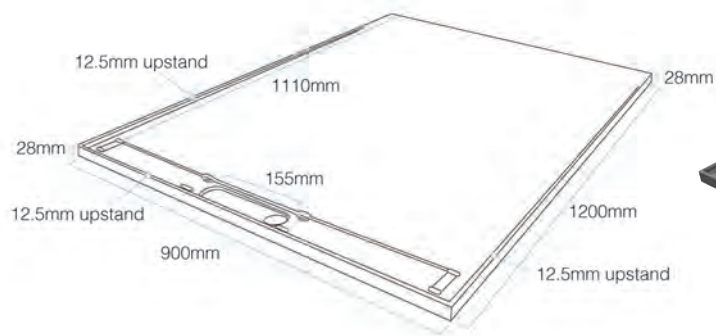


Visit our You Tube Channel
Nicholls and Clarke

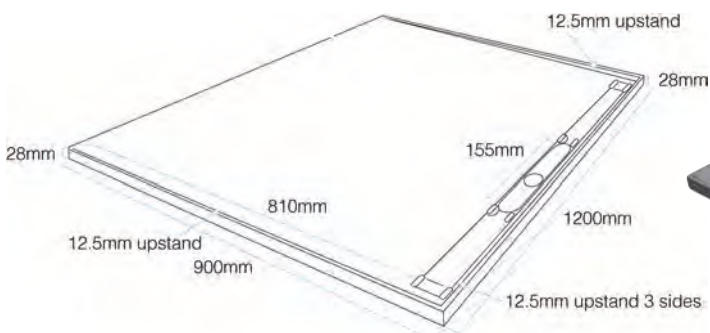
or visit our website:

www.nichollsandclarke.com/downloads

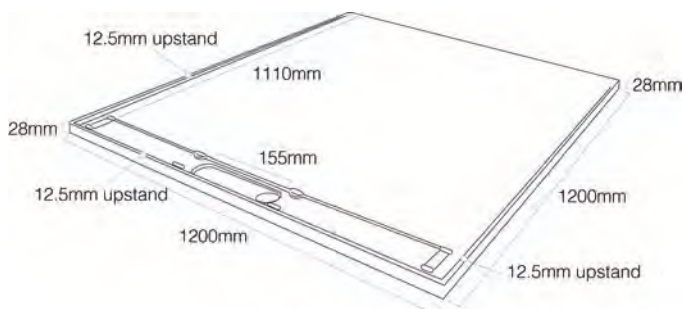
Premier Infinity Shower Deck



Size	Code Number
1200 x 900mm Short side waste	P6822008



Size	Code Number
1200 x 900mm Long side waste	P6822007



Size	Code Number
1200 x 1200mm	P6822006

Premier Infinity Trap System

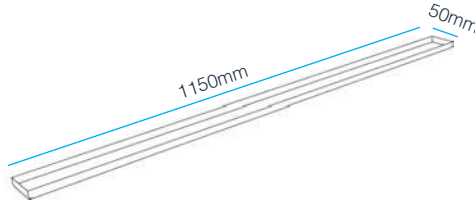
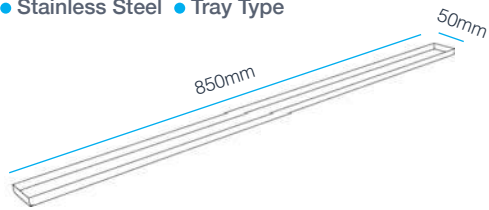
- 50mm water seal
- 100mm overall depth
- 22 ltr per minute flow rate
- supplied complete with 95° and straight 38mm multi-fit pipe connectors



Size	Code Number
Premier Infinity Trap System	S2370509

Premier Infinity Tileable Insert Grating

● Stainless Steel ● Tray Type

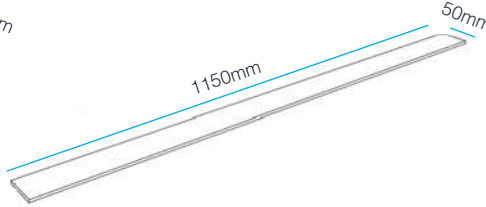
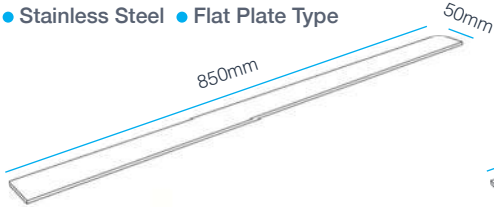


Size	Code Number
900 x 50 x 10mm	S2220500
900 x 50 x 12mm	S2220502
900 x 50 x 14mm	S2220504

Size	Code Number
1200 x 50 x 10mm	S2220501
1200 x 50 x 12mm	S2220503
1200 x 50 x 14mm	S2220505

Premier Infinity Tileable Grating

● Stainless Steel ● Flat Plate Type

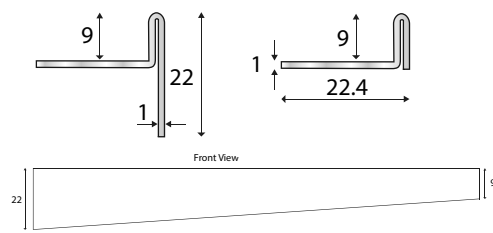
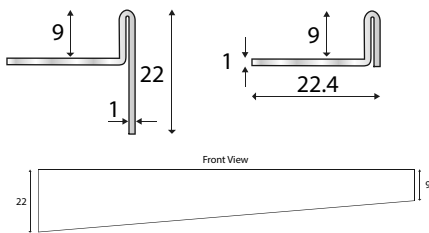


Size	Code Number
900 x 50 x 4mm	S2220506

Size	Code Number
1200 x 50 x 4mm	S2220507

Premier Infinity Inclined Shower Profile

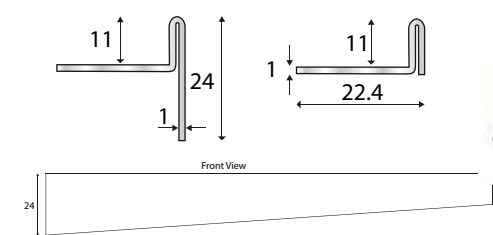
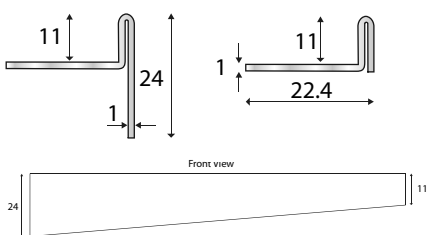
● Stainless Steel



Right hand illustrated

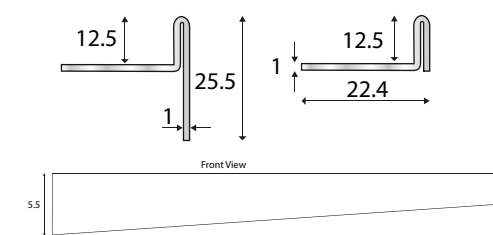
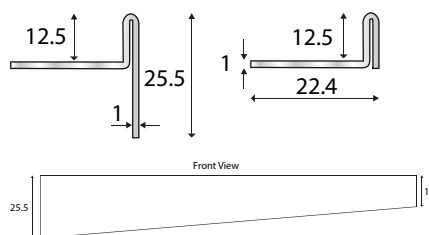
	Size	Code Number
Right Hand	9mm-900mm (889mm)	S2220520
Left Hand	9mm-900mm (889mm)	S2220522

	Size	Code Number
Right Hand	9mm - 1200mm (1189mm)	S2220521
Left Hand	9mm - 1200mm (1189mm)	S2220523



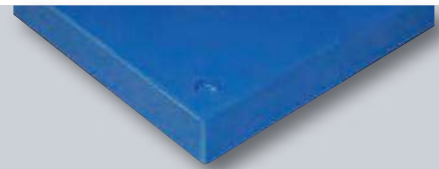
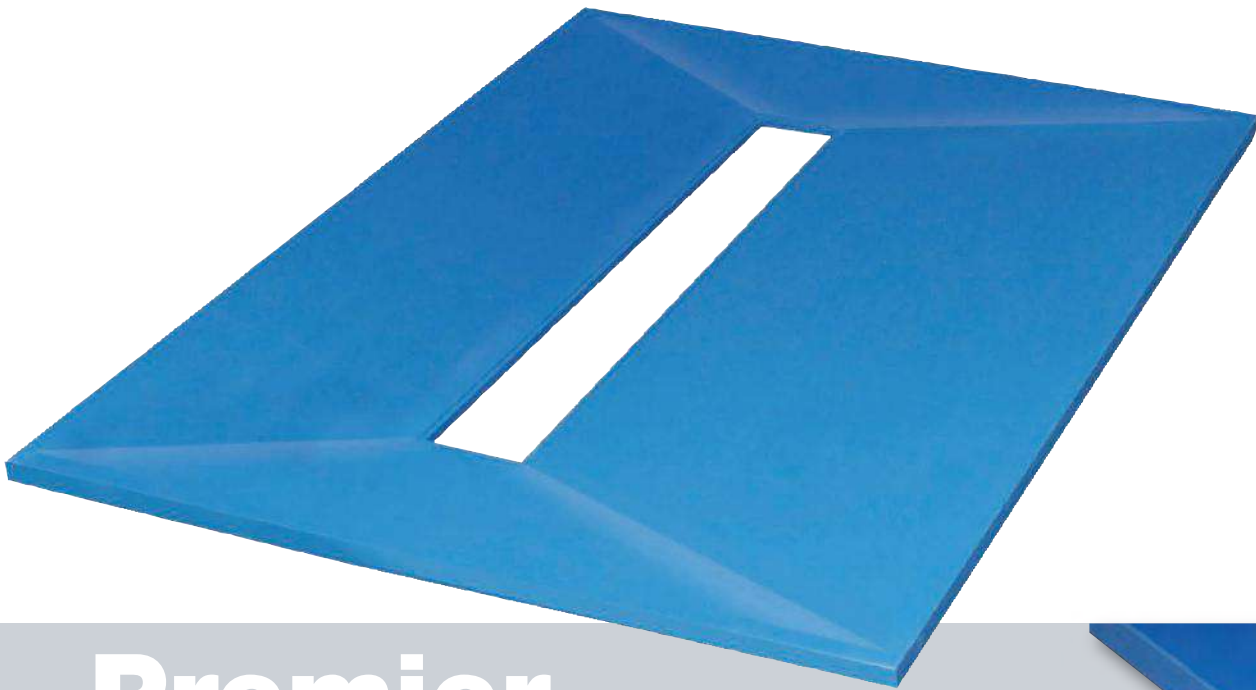
	Size	Code Number
Right Hand	11mm-900mm (889mm)	S2220524
Left Hand	11mm-900mm (889mm)	S2220526

	Size	Code Number
Right Hand	11mm - 1200mm (1189mm)	S2220525
Left Hand	11mm - 1200mm (1189mm)	S2220527



	Size	Code Number
Right Hand	12.5mm-900mm (889mm)	S2220528
Left Hand	12.5mm-900mm (889mm)	S2220530

	Size	Code Number
Right Hand	12.5mm - 1200mm (1189mm)	S2220529
Left Hand	12.5mm - 1200mm (1189mm)	S2220531



Premier

Linear Shower Deck

The Premier shower deck is the perfect solution for a total level access wet floor showering area. It is self supporting and made of 50% recycled materials and is 100% recyclable.

The Premier Linear Shower Deck is ideal for creating a level access shower area with ease. As the strongest available floor former in the UK market, accepting up to 470kg, the robust structure is manufactured using high precision moulds for strength and durability. With a self supporting structure, Premier Shower Deck can be placed directly onto underfloor joists without the need for additional support.

Our Premier Linear Shower Deck is the perfect solution for use in wet rooms. With built in falls, the gradients in the deck encourage the swift removal of waste water.



Designed with easy installation in mind, Premier Linear Shower Decks can be installed into existing concrete or timber floors. Offset waste outlets have been designed to avoid joists (in most circumstances) for easier access to the pipework.

Our Premier Shower Decks are easy to install and can be tiled directly onto. Although several sizes and formats are available, it can also be trimmed by up to 60mm on each edge for onsite flexibility making installation easier.



Features and benefits:

- Strong and durable base made from 50% recycled material
- 22mm profile
- Can be tiled directly on to or covered in vinyl
- Built in gradients for water removal to the waste, minimum 2%
- Ideal for total level access
- Waste offset to avoid joists in most circumstances
- Pre-cut waste outlet suitable for gravity waste
- Self supporting, no requirement for additional support underneath
- Can be trimmed by up to 60mm on each edge
- Accepts over 470kg loading
- Manufactured using high precision metal moulds

The Premier Shower Deck's 22mm profile allows easy installation into either timber or concrete shower areas.



Level Access



Offset Waste



Cut to Length



100% Recyclable



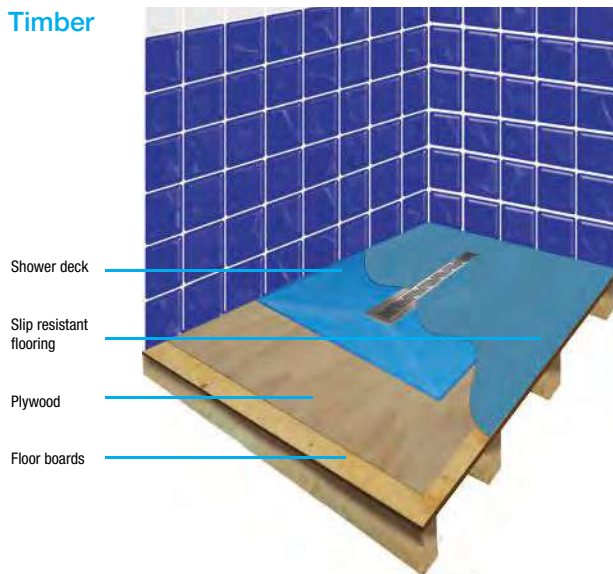
Recycled Content



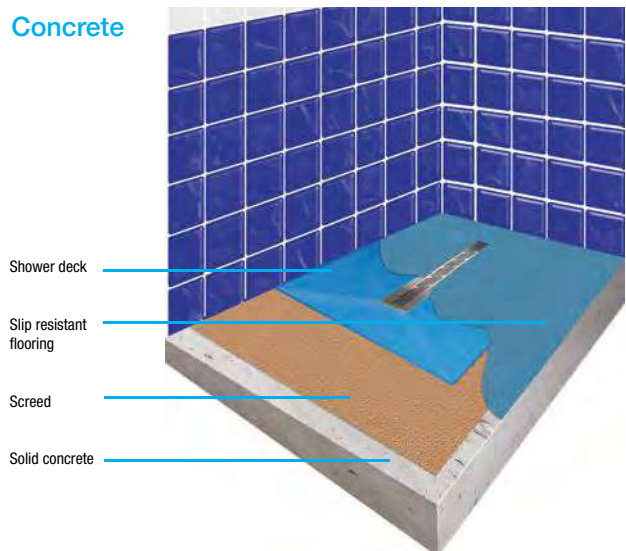
Lifetime
Warranty

Installation

Timber



Concrete



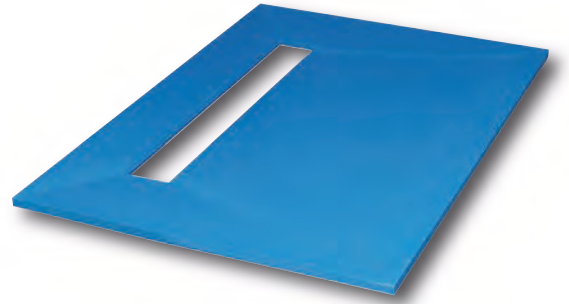
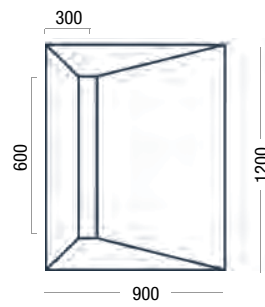
The Premier Shower Deck can be installed into an existing timber floor by removing the floorboards and fixing the former directly onto the joists. If the deck protrudes more than 100mm over a joist, support noggins should be installed. The floor should be brought level with the former to make the room level and ready for a suitable floor covering.

The Premier Shower Deck system can be installed into an existing concrete floor by removing the screed and setting the floor former in a position to leave it level with the remainder of the shower room floor. When all pipework is complete the whole shower room floor, including the new shower area can be covered with suitable vinyl flooring or tiled.

Premier Linear Shower Deck

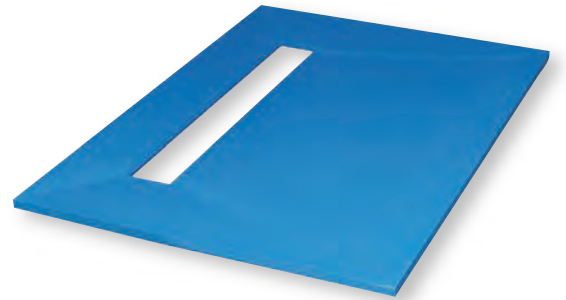
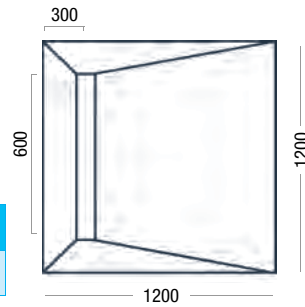
Waste position: Centre Back

Size	Code Number
1200 x 900mm	P6821988



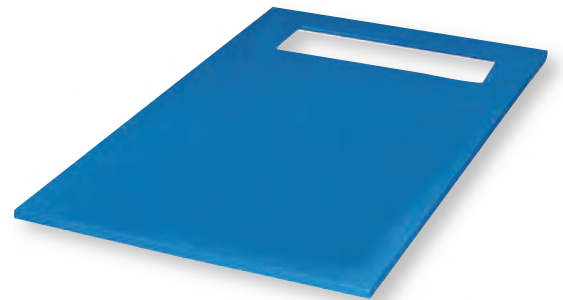
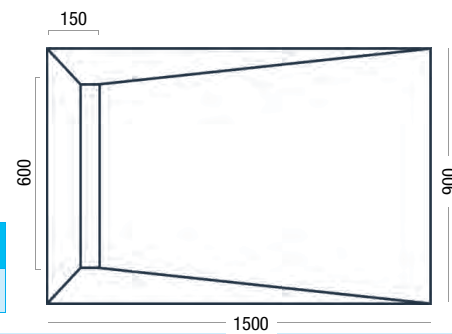
Waste position: Centre Back

Size	Code Number
1200 x 1200mm	P6821987



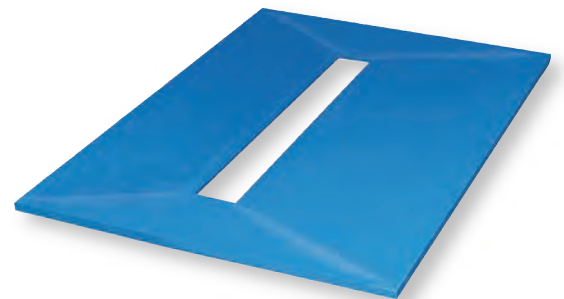
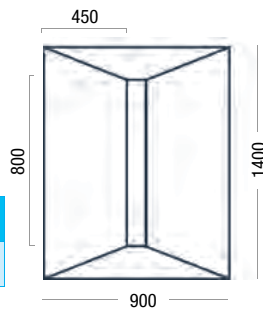
Waste position: Centre Back

Size	Code Number
1500 x 900mm	P6821989



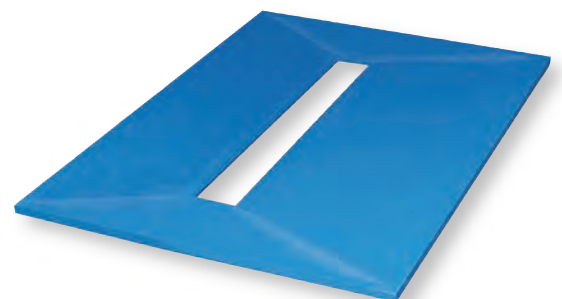
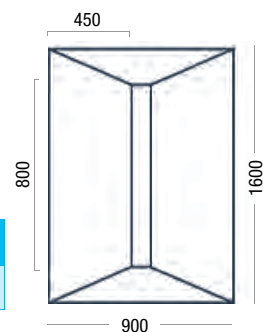
Waste position: Centre

Size	Code Number
1400 x 900mm	P6821985



Waste position: Centre

Size	Code Number
1600 x 900mm	P6821986



Waste Systems

Suitable for gravity waste systems.
See page 91

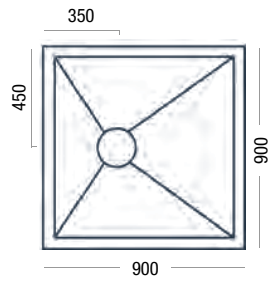
Suitable for all wet floor pumped waste
systems. See pages 96 - 99

Phlexiline Living drainage
on pages 147 - 148

Premier Shower Deck

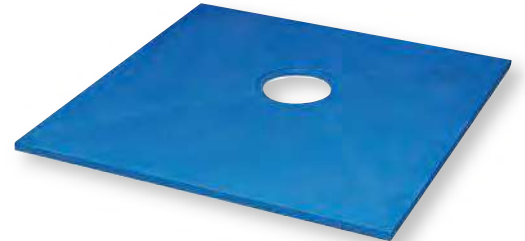
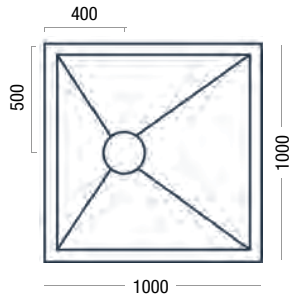
Waste position: Offset

Size	Code Number
900 x 900mm	P6821934



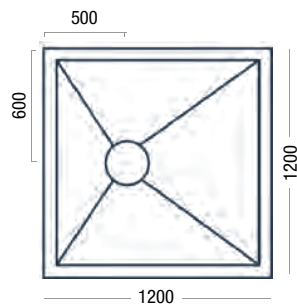
Waste position: Offset

Size	Code Number
1000 x 1000mm	P6821930



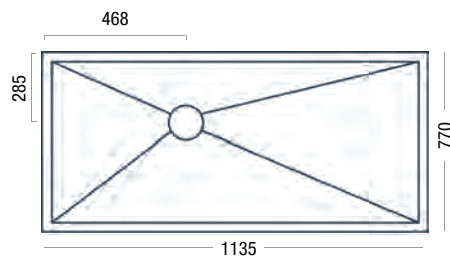
Waste position: Offset

Size	Code Number
1200 x 1200mm	P6821936



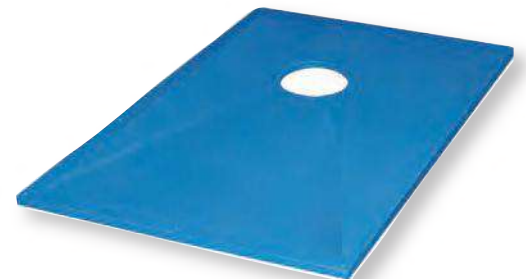
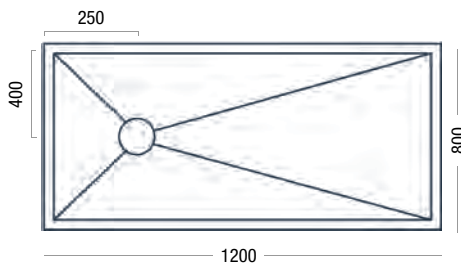
Waste position: Offset

Size	Code Number
1135 x 770mm	P6821931



Waste position: Centre

Size	Code Number
1200 x 800mm	P6821941

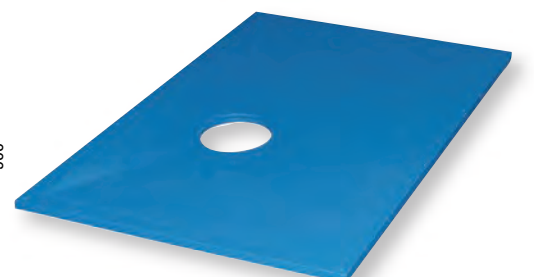
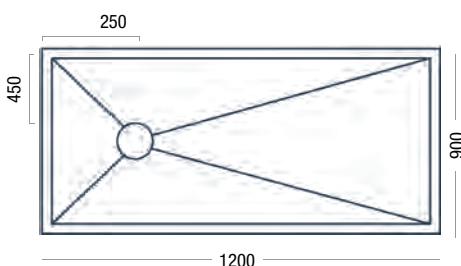


Available Shower Doors:

ABHLRFSTU

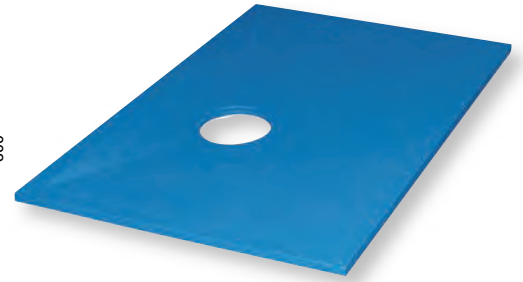
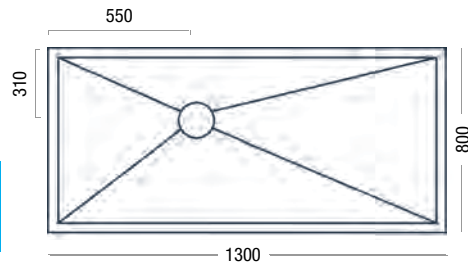
Waste position: Offset

Size	Code Number
1200 x 900mm	P6821943



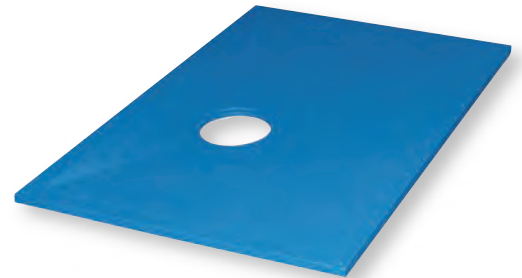
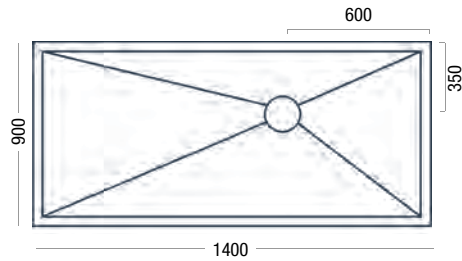
Waste position: Offset

Size	Code Number
1300 x 800mm	P6821932



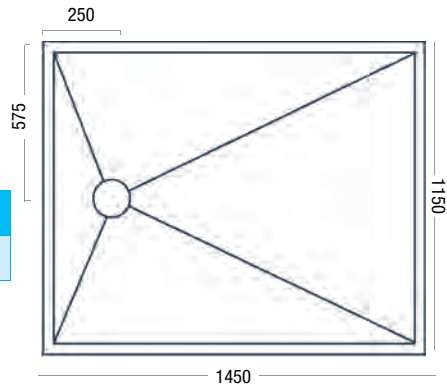
Waste position: Offset

Size	Code Number
1400 x 900mm	P6821935



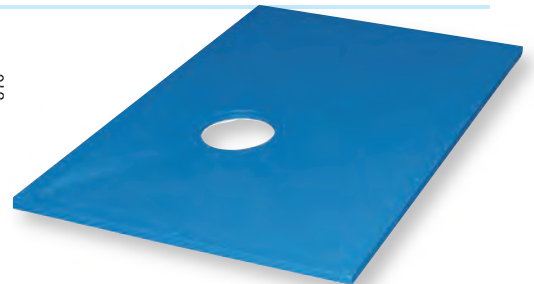
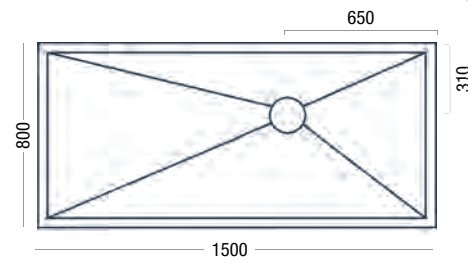
Waste position: Offset

Size	Code Number
1450 x 1150mm	P6821929



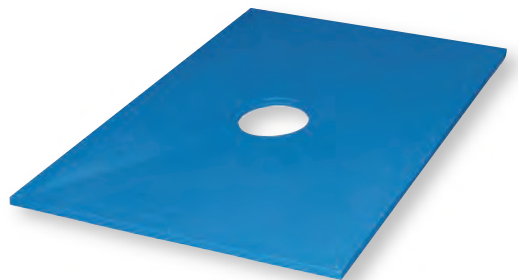
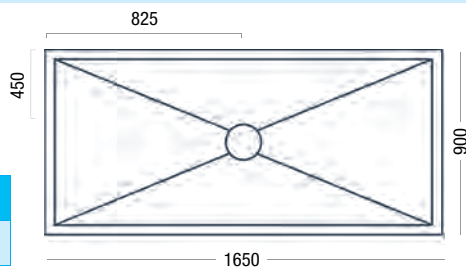
Waste position: Offset

Size	Code Number
1500 x 800mm	P6821933



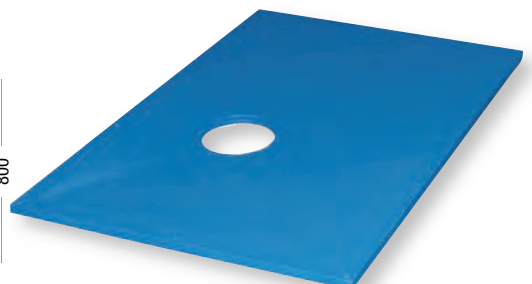
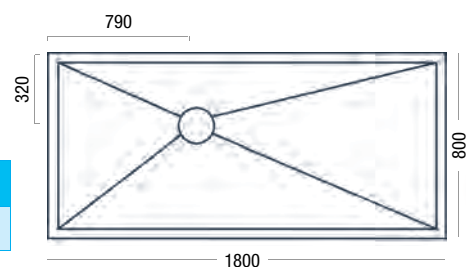
Waste position: Centre

Size	Code Number
1650 x 900mm	P6821942



Waste position: Offset

Size	Code Number
1800 x 800mm	P6821940



Tiles

Select your tiles & shower fittings from the N&C range.

Shower Screens

N&C shower screens offer an attractive and contemporary look to your Wet Room.

Wet Room Tanking System

Use Nicobond Wet Room Waterproofing Membrane, Tanking Sheet & other components to create a fully waterproofed Wet Room environment.

Drainage

A choice of Phleximax or Phlexiline living drainage with a stylish selection of stainless steel covers.

Shower Base

The Premier Shower Deck is a totally waterproof and robust floor former which can be laid directly onto suspended joists or inlaid into a screed.





Finesse Two

Wet Room & Shower Screens

This frameless, elegant design will enhance any showering space by enabling freedom of movement unhindered by traditional enclosure frames. When combining screens, the ability to create a stunning wet room look is easily achievable. The easy fit mobile panels can be fitted to any width screen, without the need for cutting the glass.



Features and Benefits:

- Fast and easy to install
- 8mm glass
- Clear glass
- Toughened safety glass
- Free standing and corner wall versions
- Profiles in chrome
- Wall support included
- Reversible
- The 6mm mobile panel compatible with every screen option
- Flexible seal
- Suitable for wet rooms and trays



Speed of Installation

The glass panel is secured with a flexible seal.



Modular System

The mobile panel is attached by a unique clamping hinge providing limitless flexibility.

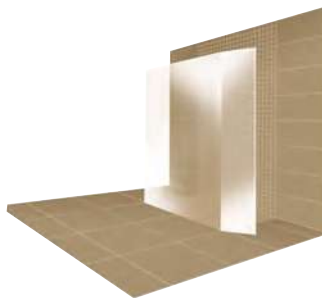
Finesse screens are manufactured from 8mm toughened safety glass in accordance to BS EN12150 Screens and Enclosures. Finesse is tested in accordance with EN14428 Shower Enclosures, Functional Requirements and Test Methods.

Finesse allows an almost limitless amount of options allowing you to create your perfect wet room look.

Select your style and size from the following pages, to create your ultimate wet room experience.



Freestanding



Freestanding with double mobile panel



Corner Wall



End Panel

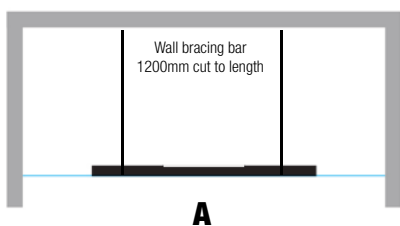
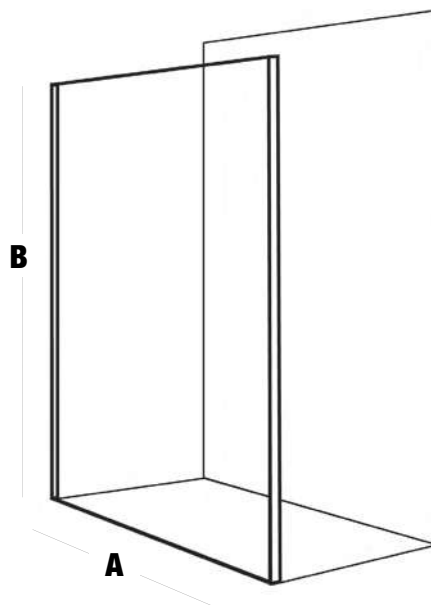
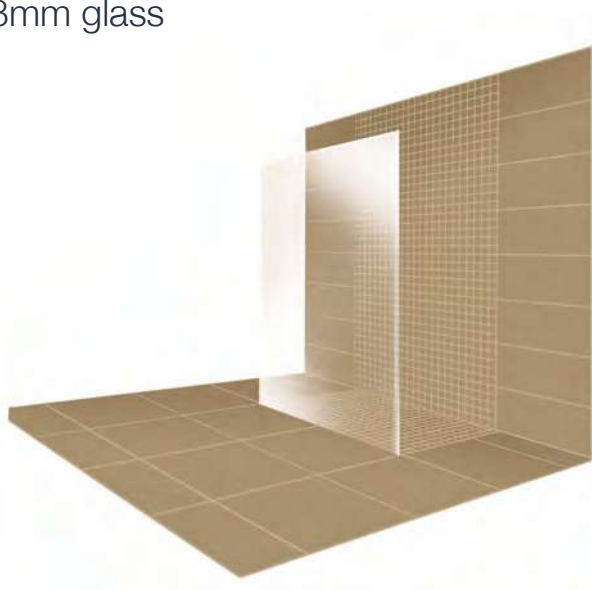


Corner Wall with mobile panel



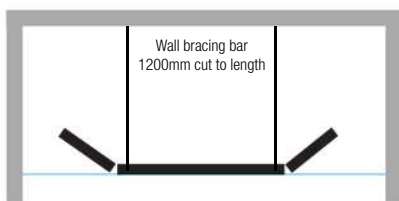
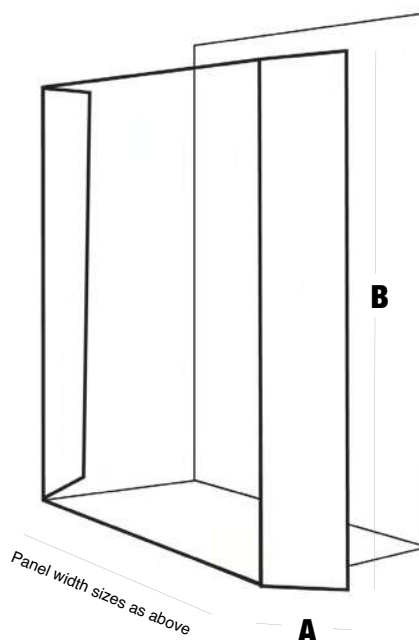
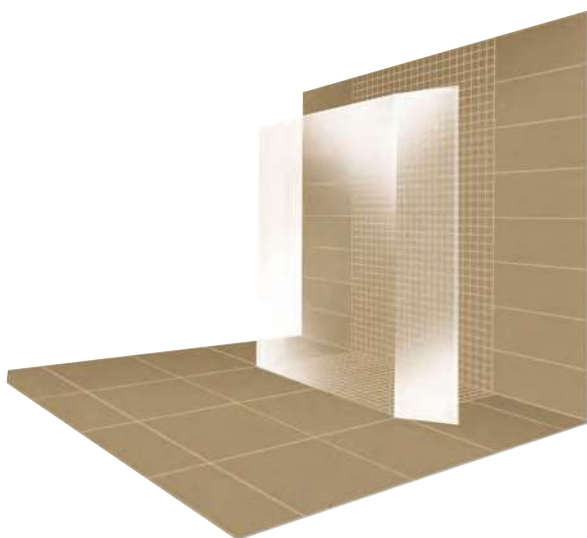
2x Corner Wall with mobile panel

Finesse Two - Freestanding
8mm glass



A	B	Support Bar	Code Number
900	2000	90°	P6832715
1000	2000	90°	P6832716
1200	2000	90°	P6832717
1400	2000	90°	P6832718

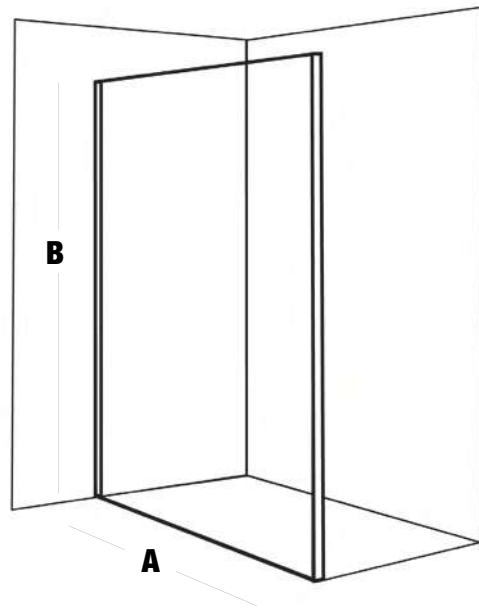
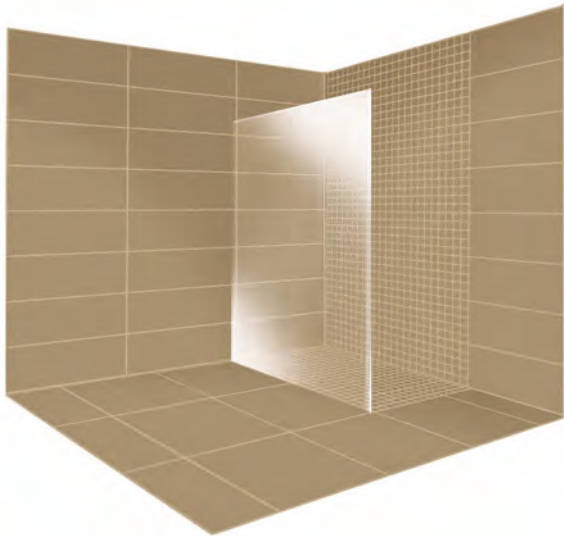
Finesse Two - Mobile Panels
6mm glass



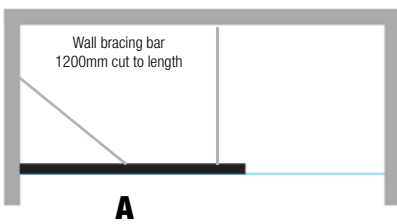
To achieve a freestanding screen with mobile panels, please order the size of panel from above and add 2 mobile panels (6mm glass).

A	B	Code Number
300	2000	x2 P6832720

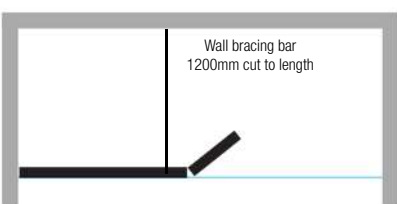
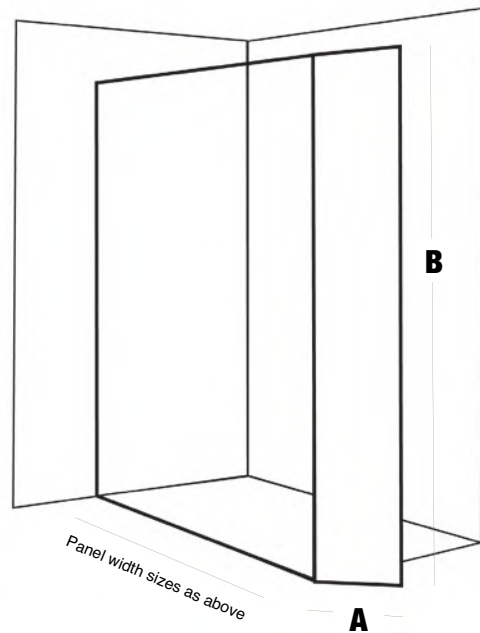
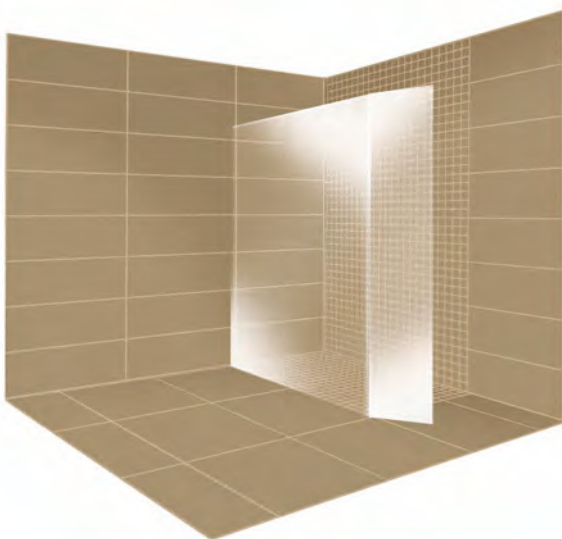
Finesse Two - Corner Wall/End Panel
8mm glass



A	B	Support Bar	Code Number
300	2000	45°	P6832700
400	2000	45°	P6832701
500	2000	45°	P6832702
600	2000	45°	P6832703
700	2000	90°	P6832704
800	2000	90°	P6832705
900	2000	90°	P6832706
1000	2000	90°	P6832707
1200	2000	90°	P6832708
1400	2000	90°	P6832709



Finesse Two - Mobile Panel
6mm glass



To achieve a corner wall screen with a mobile panel, please order the size of panel from above and add a mobile panel (6mm glass).

A	B	Code Number
300	2000	P6832720



Enhance

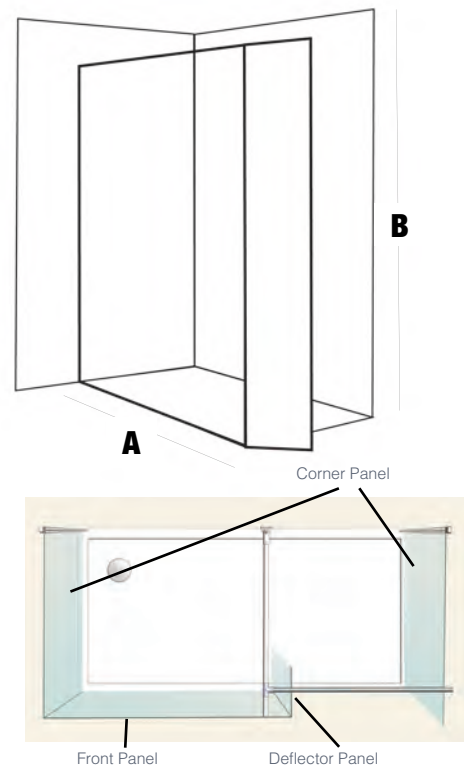
Shower Screen

Enhance brings to you a stylish collection of shower room panels. These panels are suitable for shower tray or wet floor installation, making this product suitable for all users.



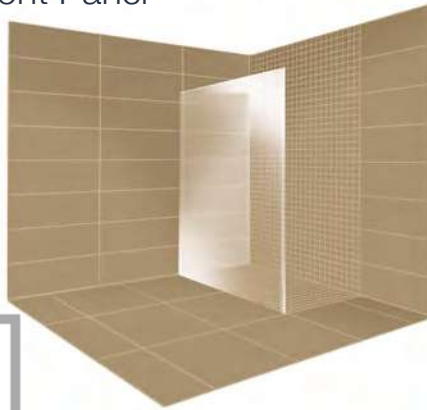
Features and Benefits:

- 8mm clear toughened glass
- Suitable for shower trays or wet floor installations
- 2000mm high



Enhance - Front Panel

8mm glass



A	Actual Size	B	Code Number
1200	1167	2000	S6100487
1100	1067	2000	S6100486
1000	967	2000	S6100485
900	867	2000	S6100484
800	767	2000	S6100483
760	727	2000	S6100482
700	667	2000	S6100481
600	567	2000	S6100480

Enhance - Corner Panel

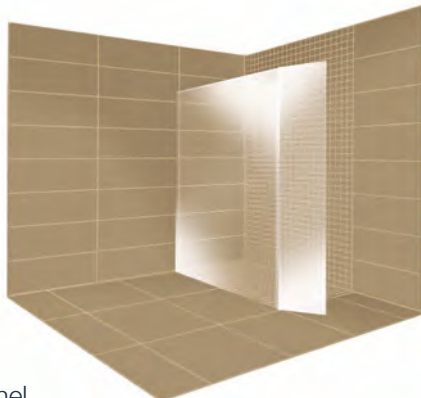
8mm glass



A	Actual Size	B	Code Number
1400	1365	2000	S6100479
1200	1165	2000	S6100478
1100	1065	2000	S6100477
1000	965	2000	S6100476
900	865	2000	S6100475
800	765	2000	S6100474
760	725	2000	S6100473
700	665	2000	S6100472
600	565	2000	S6100471

Enhance - Deflector Panel

8mm glass



Fixed Deflector Panel

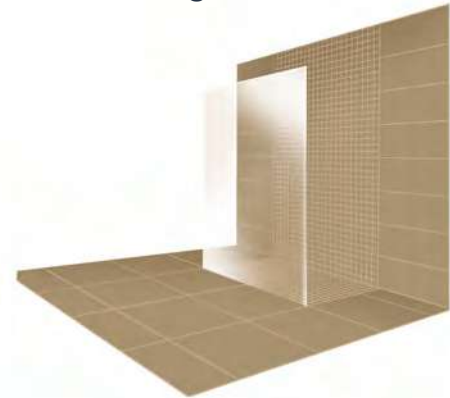
A	Actual Size	B	Code Number
200	226	2000	S6100488

Pivot Deflector Panel

A	Actual Size	B	Code Number
400	443	2000	S6100491
300	343	2000	S6100490
200	243	2000	S6100489

Enhance - Free Standing Panel

8mm glass



A	Actual Size	B	Code Number
1400	1355	2000	S6100385
1200	1167	2000	S6100383
1100	1067	2000	S6100381
1000	955	2000	S6100379



Bracing Bars		Code Number
1. Low level bracing kit	1030mm	S6100492
2. Ceiling bracing kit	560mm	S6100494
3. Floor to ceiling brace bar kit	2700mm high	S6100495
4. High level bracing kit	1135mm	S6100496

	Code Number
5. Side panel bracing kit, chrome, for use with S6100492	S6100493
Vinyl flooring countour profile kit	S6100497



Enhance 8

Shower Screen

Enhance 8 is an innovative and stylish collection of shower enclosures suitable for all users. This contemporary collection features the most popular shower enclosure styles in 1950mm high. All enclosures within this range are covered by a lifetime guarantee to give you extra security.

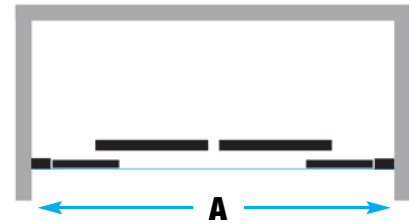
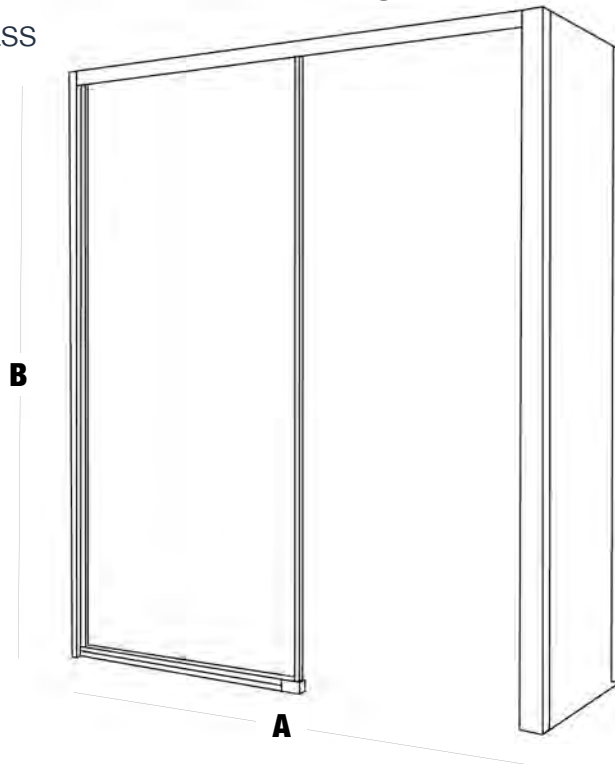


Features and Benefits:

- 8mm glass
- 1950mm high
- Bright silver frame
- Vertical adjustment 25mm
- Minimal low profile seals
- Smooth running bearings
- Left or right hand fixing
- Install to tray or wet room

Enhance 8 - Level Access Sliding Doors

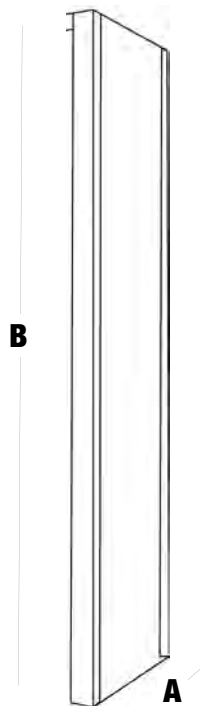
8mm glass



A	Alcove Fixing Adjustment	Aperture	B	Left Hand	Right Hand
1000	940-990	360	1950	S6100732	S6100733
1100	1040-1090	410	1950	S6100734	S6100735
1200	1140-1190	460	1950	S6100736	S6100737
1400	1340-1390	560	1950	S6100738	S6100739
1700	1640-1690	710	1950	S6100740	S6100741

Enhance 8 - Side Panel

8mm glass



A	Actual Size	B	Code Number
700	640-690	1950	S6100720
760	710-735	1950	S6100721
800	750-775	1950	S6100722
900	850-875	1950	S6100723
1000	950-975	1950	S6100724



Astro Two

Sliding Shower Screen

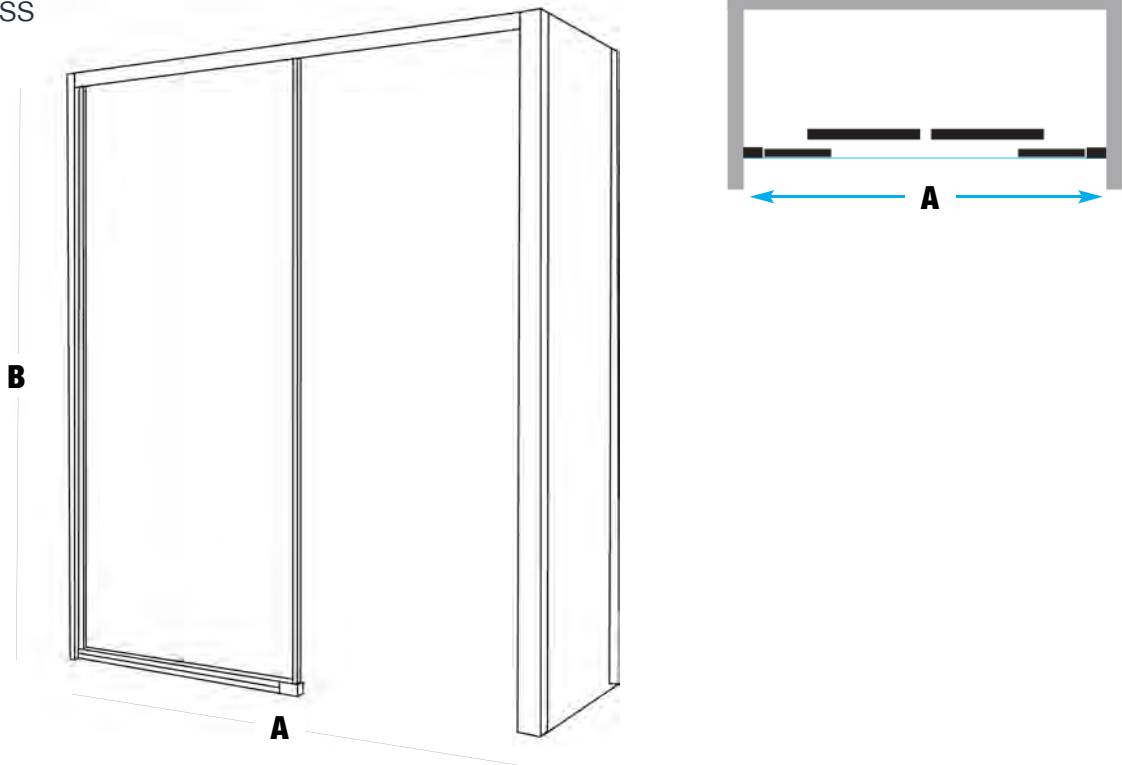
Astro Two is a modern sleek shower enclosure range which is extremely affordable. This range incorporates all the key enclosure styles and sizes which are increasingly popular. Create an elegant minimalistic look in your bathroom with this on-trend simple showering solution.



Features and Benefits:

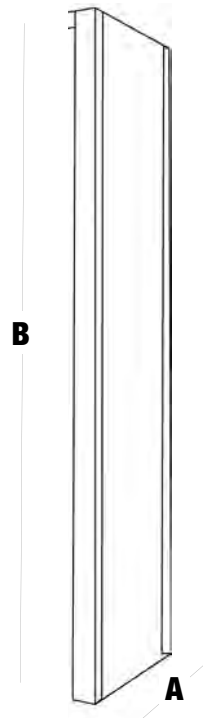
- 6mm toughened safety glass
- Left or right hand door fixing
- Chrome frame
- 1900mm high

Astro Two - Level Access Sliding Doors
6mm glass



A	Alcove Fixing Adjustment	Aperture	B	Left Hand	Right Hand
1000	940 - 990	390	1900	S6100665	S6100666
1100	1040 - 1090	440	1900	S6100667	S6100668
1200	1140 - 1190	490	1900	S6100669	S6100670
1400	1340 - 1390	590	1900	S6100671	S6100672
1700	1640 - 1690	740	1900	S6100673	S6100674

Astro Two - Side Panel
6mm glass



A	Actual Size	B	Code Number
700	665-690	1900	S6100636
760	725-750	1900	S6100637
800	765-790	1900	S6100638
900	865 - 890	1900	S6100639



Creative

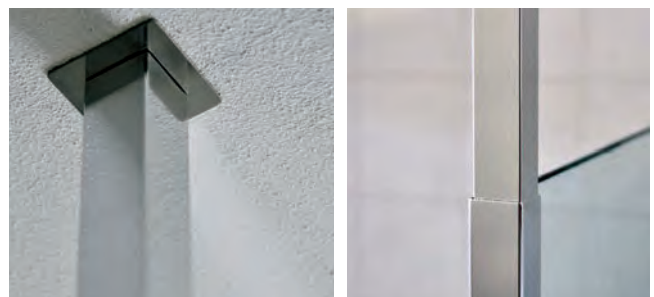
Wet Room & Shower Screens

Our range of Creative wet room screens highlight the epitome of inclusive design in the bathroom. The polished chrome and square edge aesthetic allows users to combine functionality with modern design. The configuration options are endless and include a fixed side panel and assistance pole making Creative a highly versatile option.



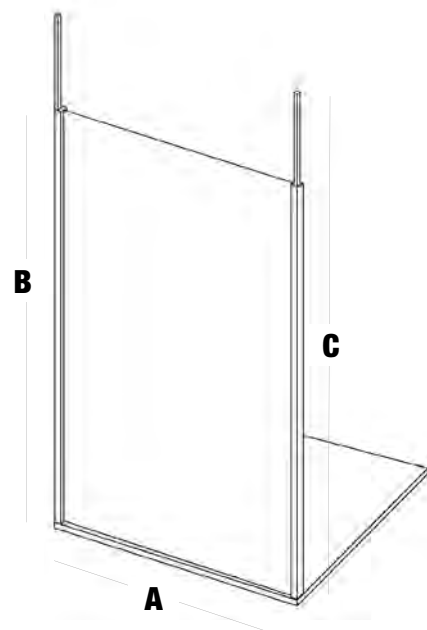
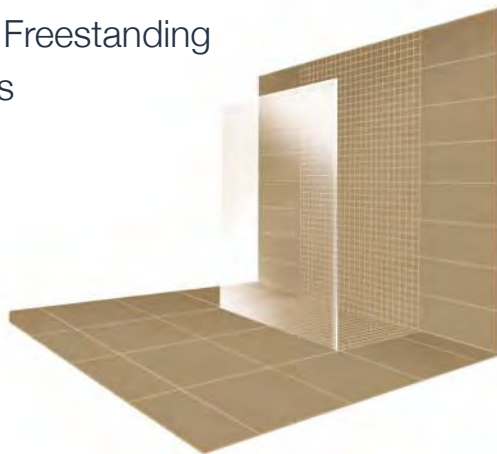
Features and Benefits:

- Fast and easy to install with clip on seals
- Attractive, modern design
- 6mm glass
- Toughened safety Glass
- Free standing and corner wall versions
- Profiles in chrome
- Reversible screen
- Anti-limescale treatment included as standard
- Suitable for wet rooms and trays



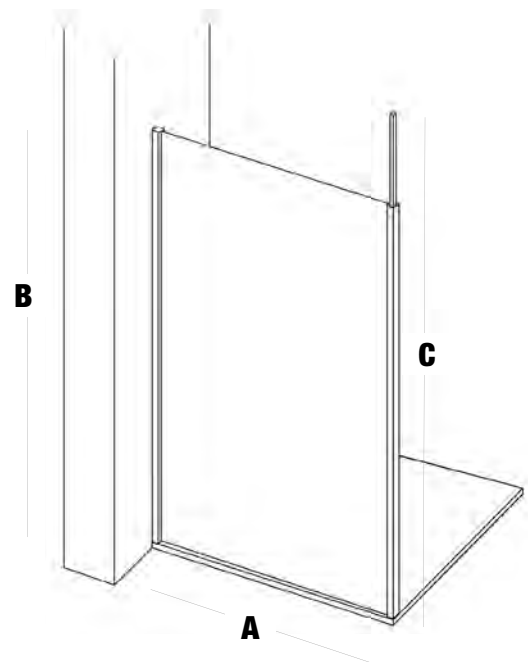
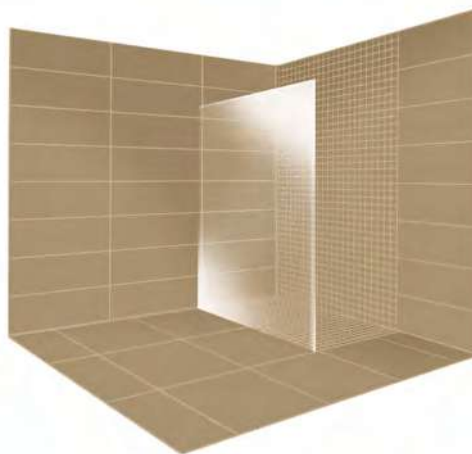
Telescopic ceiling support fixing with up to 3.3m high adjustment supplied as standard

Creative - Freestanding
6mm glass



A	B	C	Code Number
690	2000	3300	P6840150
790	2000	3300	P6840151
890	2000	3300	P6840152
990	2000	3300	P6840153
1190	2000	3300	P6840154
1390	2000	3300	P6840155

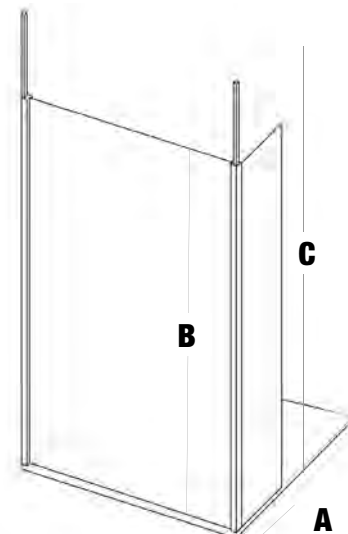
Creative - Corner wall
6mm glass



A	B	C	Code Number
690-700	2000	3300	P6840156
790-800	2000	3300	P6840157
890-900	2000	3300	P6840158
990-1000	2000	3300	P6840159
1190-1200	2000	3300	P6840160
1390-1400	2000	3300	P6840161

Creative - Fixed side panel
6mm glass

Supplied complete with corner connecting profile



A	B	C	Code Number
310	2000	3300	P6840162
410	2000	3300	P6840163
510	2000	3300	P6840164



Transform

Shower Screens

Transform encompasses a shower enclosure with a modern design and attractive bi-fold doors that incorporates a unique pivot safety mechanism. The pivot safety opening is guided by an innovative magnetic release. In day to day operation, the bi-fold door would fold inwards to accommodate a small bathroom. However, should a fall or accident occur, the quick pivot operation of the shower door will act as an emergency release feature to prevent harm from full contact with a glass door. A low threshold door, with a square edge chrome finish and anti-limescale treatment supplied as standard, makes transform the ideal choice for elegant, safe showering.

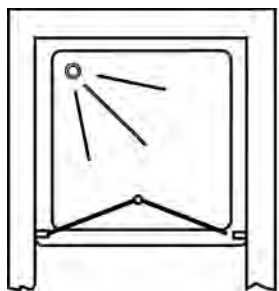


Features and Benefits:

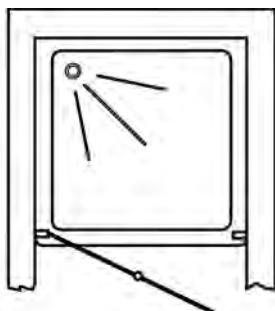
- 6mm glass
- Toughened safety glass
- Attractive chrome finish
- Pivot release safety mechanism
- Low profile threshold bar
- Suitable for tray or wet floor installation
- 60mm adjustment for out of true walls
- Anti-limescale treatment included as standard

Transform - Bi-fold Shower Doors

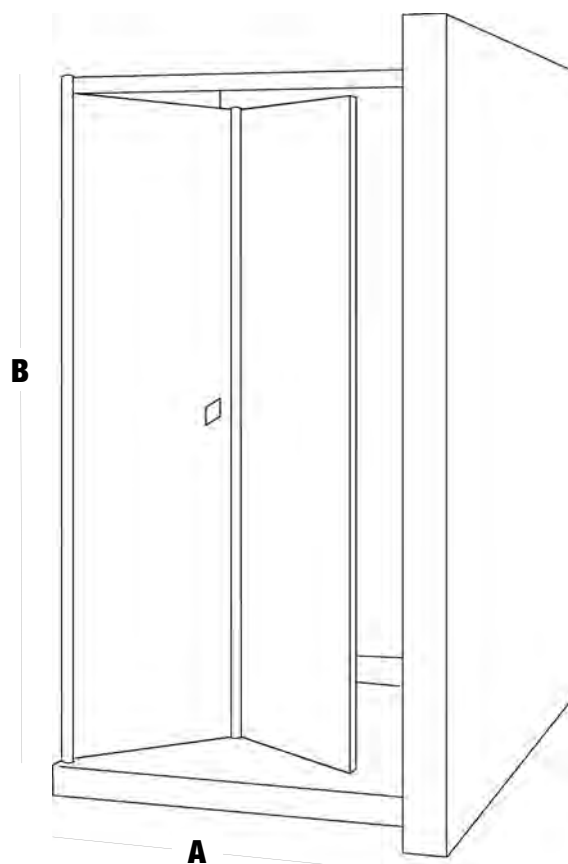
Bi-fold standard operation



Pivot safety release feature



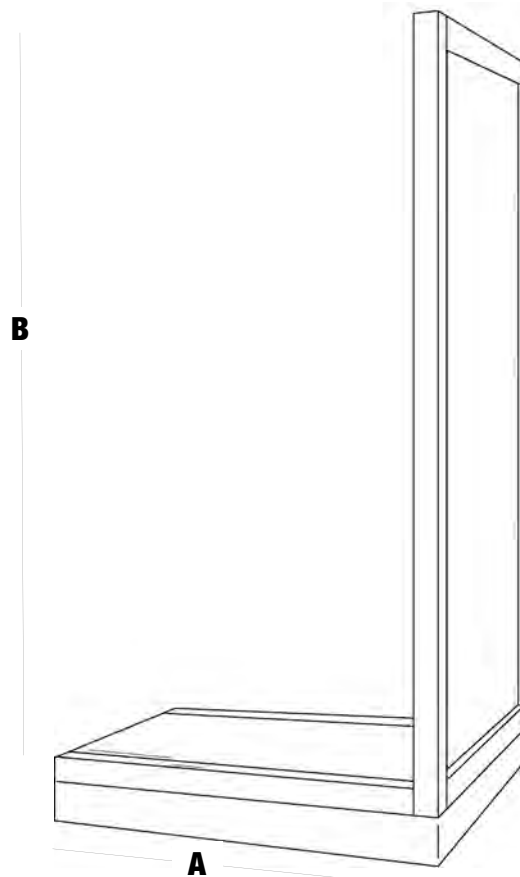
A	B	Adjustment	Hand	Code Number
800	2000	760-820	Right	S6100297
800	2000	760-820	left	S6100298
900	2000	860-920	Right	S6100299
900	2000	860-920	left	S6100300
1000	2000	960-1020	Right	S6100301
1000	2000	960-1020	Left	S6100302



Left Hand

Transform - Side Panels

A	B	Adjustment	Code Number
800	2000	760-820	S6100303
900	2000	860-920	S6100304





Fluidity

Sliding Shower Screen

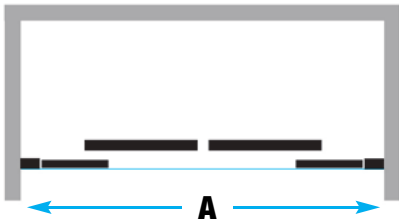
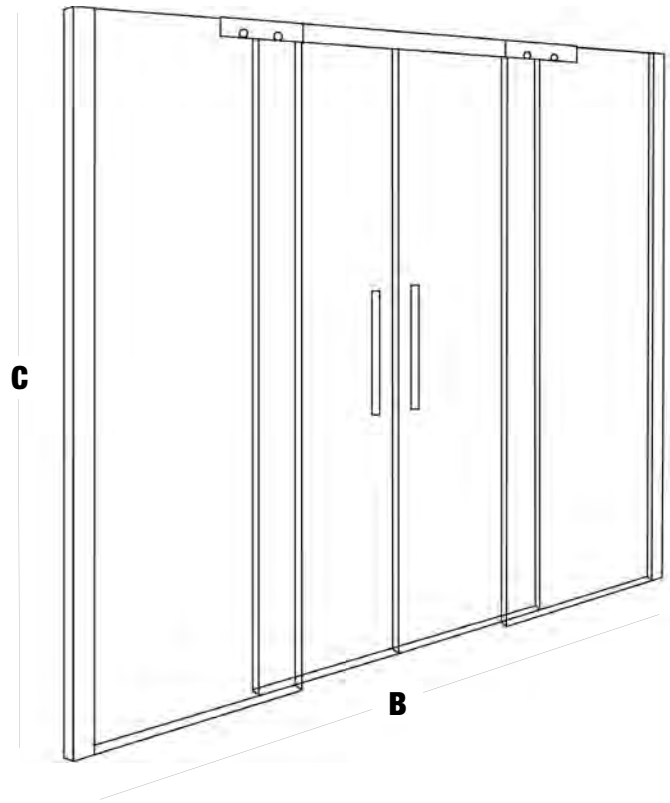
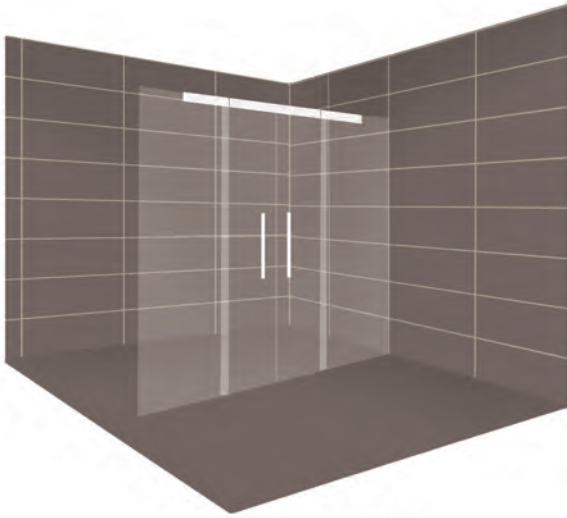
The Fluidity Sliding door shower system is an elegant looking, contemporary shower screen system that features a seamless soft close, sliding door. Fluidity encompasses all the features and benefits of a traditional shower enclosure but without a floor channel, thus allowing barrier free entry into the shower area. Its unique soft close door system allows the gentlest of touches in order to move the door when opening and closing. Fluidity is a versatile range that enables a variety of configurations to be created to better suit the users' requirements.



Features and Benefits:

- Easy to install
- Profiles in chrome
- Toughened safety glass
- Clear glass
- Clear scale treatment as standard
- Unique soft close mechanism
- Barrier free entry
- Fixed panels 6mm. sliding panel 8mm
- In-line and corner entry
- Suitable for wet floors and trays
- Quick release sliding door mechanism for easy closing
- slider releases for easy cleaning

Fluidity - Double sliding front entry
 6mm fixed panels
 8mm sliding panels



A	B	C	Code Number
1400	1370-1410	2000	P6832800
1440	1410-1450	2000	P6832801
1480	1450-1490	2000	P6832802
1520	1490-1530	2000	P6832803
1560	1530-1570	2000	P6832804
1600	1570-1610	2000	P6832805
1640	1610-1650	2000	P6832806
1680	1650-1690	2000	P6832807
1720	1690-1730	2000	P6832808
1760	1730-1770	2000	P6832809
1800	1770-1810	2000	P6832810



Its unique soft close door system allows the gentlest of touches in order to move the door when opening and closing.

Fluidity - Door - Inline or Corner Installation

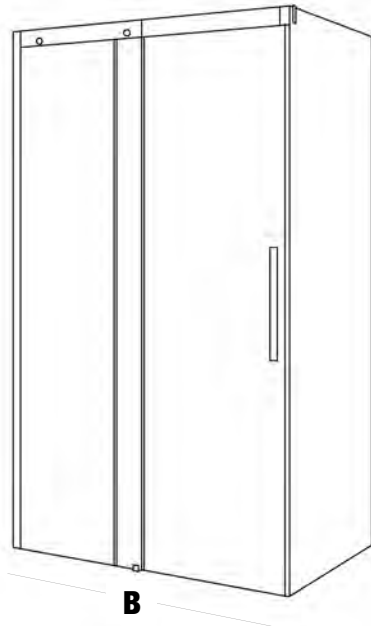
8mm glass



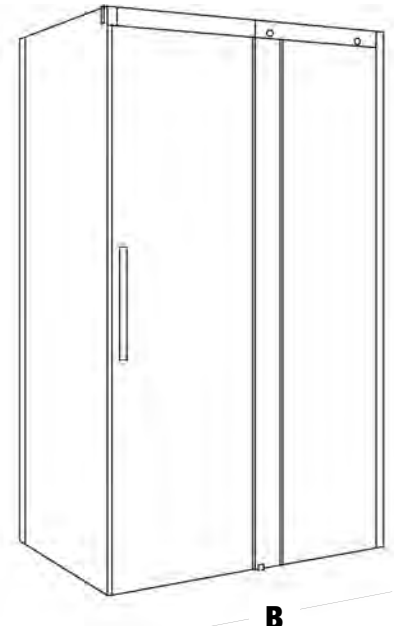
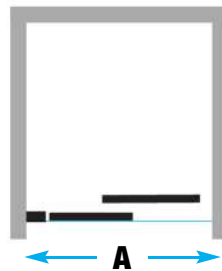
Sliding Door and Side Panel



Single Sliding In-line Door



Left Hand

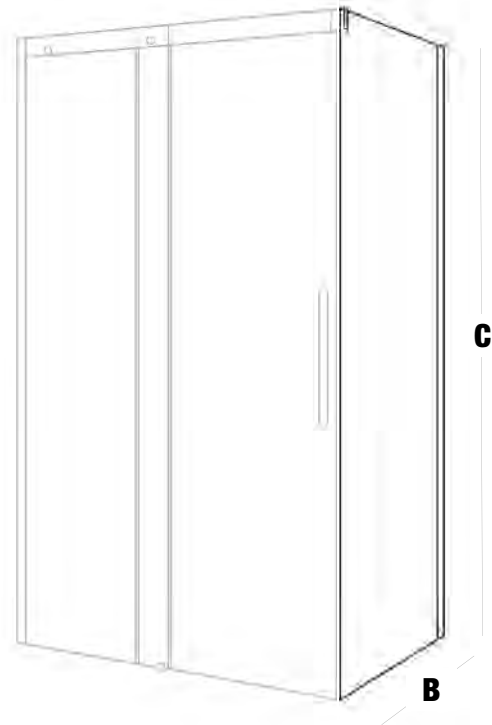
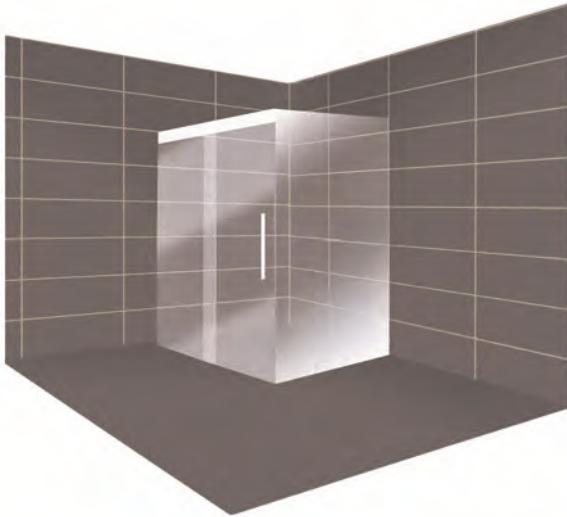


Right Hand



A	B	C	Right Hand	Left Hand
1000	970-1010	2000	P6832730	P6832731
1040	1010-1050	2000	P6832732	P6832733
1080	1050-1090	2000	P6832734	P6832735
1120	1090-1130	2000	P6832736	P6832737
1160	1130-1170	2000	P6832738	P6832739
1200	1170-1210	2000	P6832740	P6832741
1240	1210-1250	2000	P6832742	P6832743
1280	1250-1290	2000	P6832744	P6832745
1320	1290-1330	2000	P6832746	P6832747
1360	1330-1370	2000	P6832748	P6832749
1400	1370-1410	2000	P6832750	P6832751
1440	1410-1450	2000	P6832752	P6832753
1480	1450-1490	2000	P6832754	P6832755
1520	1490-1530	2000	P6832756	P6832757
1560	1530-1570	2000	P6832758	P6832759
1600	1570-1610	2000	P6832760	P6832761
1640	1610-1650	2000	P6832762	P6832763
1680	1650-1690	2000	P6832764	P6832765
1720	1690-1730	2000	P6832766	P6832767
1760	1730-1770	2000	P6832768	P6832769
1800	1770-1810	2000	P6832770	P6832771

Fluidity - side panel
6mm glass



A	B	C	Code Number
680	680-700	2000	P6832780
700	700-720	2000	P6832781
720	720-740	2000	P6832782
740	740-760	2000	P6832783
760	760-780	2000	P6832784
780	780-800	2000	P6832785
800	800-820	2000	P6832786
820	820-840	2000	P6832787
840	840-860	2000	P6832788
860	860-880	2000	P6832789
880	880-900	2000	P6832790





Freespace Two

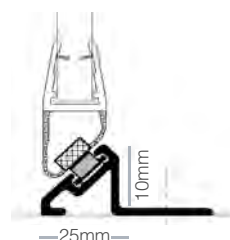
Shower Screen

This new generation shower screen has been created and designed with the whole family in mind. The ideal showering solution for those who can shower themselves and those who may require assistance. Simple and easy to both install and operate, it is elegant and practical and allows the whole shower area to be opened up when not in use. This is an ideal solution for a multi-user situation where it is important to have inclusiveness and aesthetic appeal.



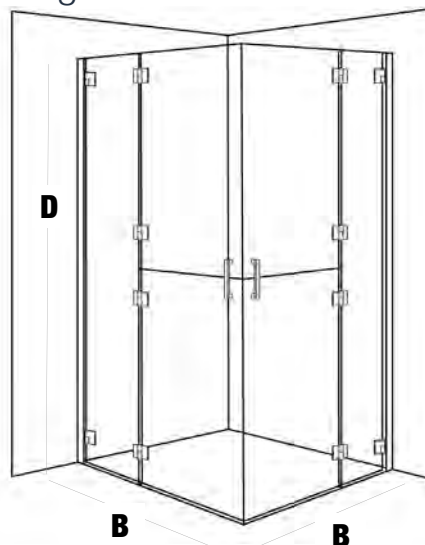
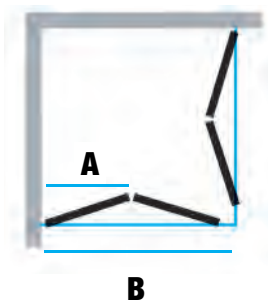
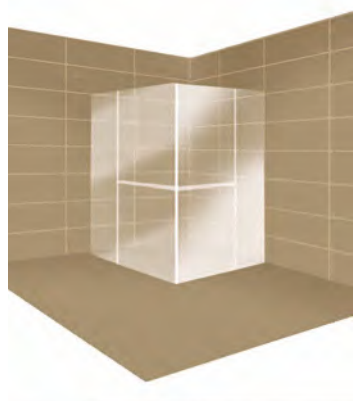
Features and Benefits:

- Inclusive design
- Polished chrome finish
- Unique folding doors allows creation of space
- In-line and corner entry available
- Unique spring handles achieve split screen function
- Rising hinge system on both folding panels
- Toughened safety 6mm clear glass
- Easy to fit
- Full height and reduced height versions



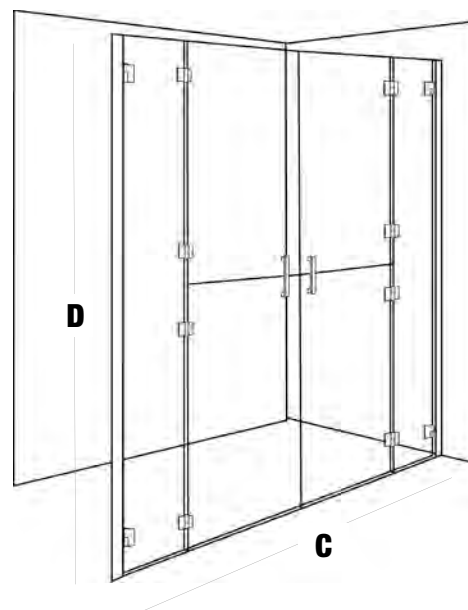
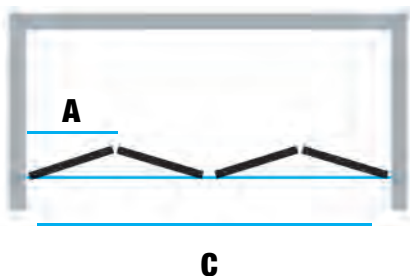
Wall closing profile.
Allows a single panel to
be fitted in-line against
a wall
P6840110

Freespace Two - Corner bi-fold with split doors full height 6mm glass



Order one left hand and one right hand door to create a corner enclosure

Freespace Two - In-line bi-fold with split doors full height 6mm glass

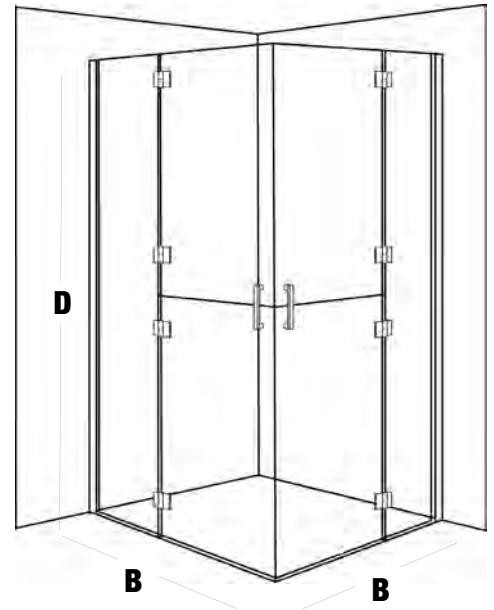
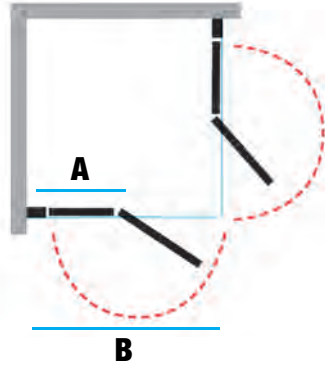


Order one left hand and one right hand door to create an In-line enclosure

A	B	C	D	Right Hand	Left hand
315	580-600	1170-1210	2000	P6840030	P6840031
340	630-650	1270-1310	2000	P6840032	P6840033
365	680-700	1370-1410	2000	P6840034	P6840035
390	730-750	1470-1510	2000	P6840036	P6840037
415	780-800	1570-1610	2000	P6840038	P6840039
440	830-850	1670-1710	2000	P6840040	P6840041
465	880-900	1770-1810	2000	P6840042	P6840043
490	930-950	1870-1910	2000	P6840044	P6840045
515	980-1000	1970-2010	2000	P6840046	P6840047
540	1030-1050	2070-2110	2000	P6840048	P6840049
565	1080-1100	2170-2210	2000	P6840050	P6840051
590	1130-1150	2270-2310	2000	P6840052	P6840053
615	1180-1200	2370-2410	2000	P6840054	P6840055

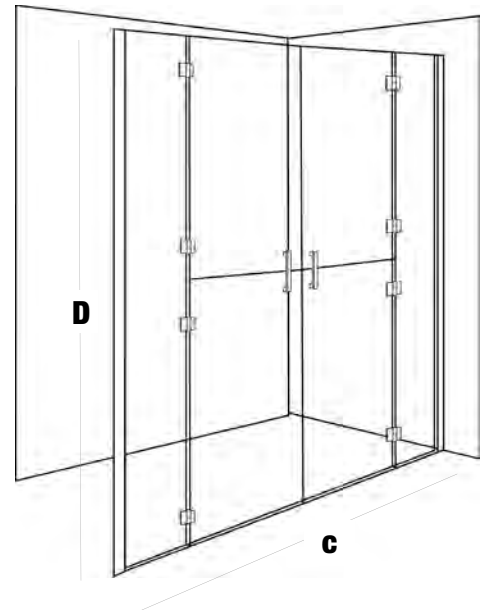
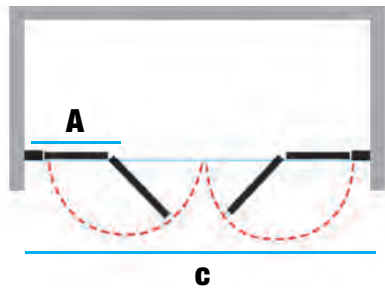
Each set is supplied with an extension profile 25 x 15mm to complete the In-line length.

Freespace Two - Corner fixed panel with split doors full height
6mm glass



Order one left hand and one right hand door to create a corner enclosure

Freespace Two - In-line fixed panel with split doors full height
6mm glass

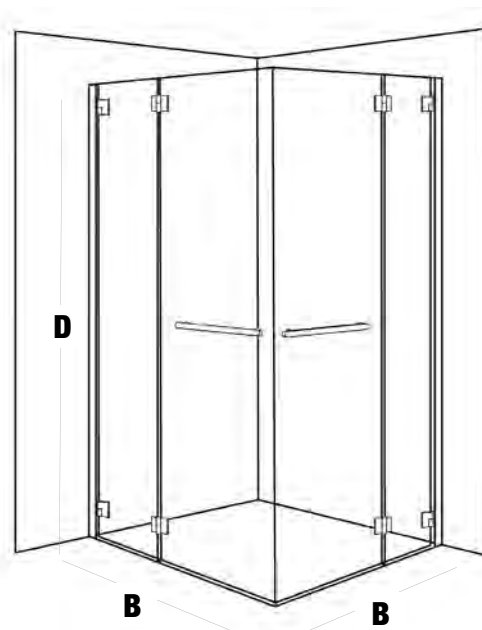
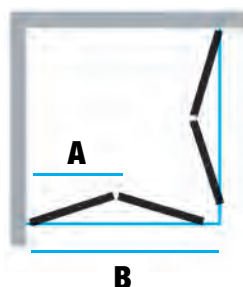


Order one left hand and one right hand door to create an In-line enclosure

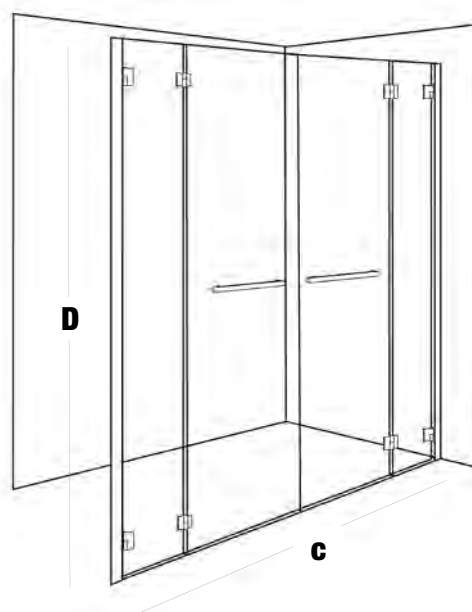
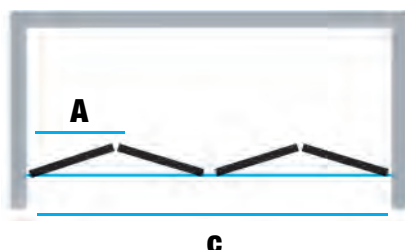
A	B	C	D	Right Hand	Left hand
410	780-800	1570-1610	2000	P6840060	P6840061
435	830-850	1670-1710	2000	P6840062	P6840063
460	880-900	1770-1810	2000	P6840064	P6840065
485	930-950	1870-1910	2000	P6840066	P6840067
510	980-1000	1970-2010	2000	P6840068	P6840069
535	1030-1050	2070-2110	2000	P6840070	P6840071
560	1080-1100	2170-2210	2000	P6840072	P6840073
585	1130-1150	2270-2310	2000	P6840074	P6840075
610	1180-1200	2370-2410	2000	P6840076	P6840077

Each set is supplied with an extension profile 25 x 15mm to complete the In-line length.

Freespace Two - Corner bi-fold full height 6mm glass



Freespace Two - In-line bi-fold full height 6mm glass



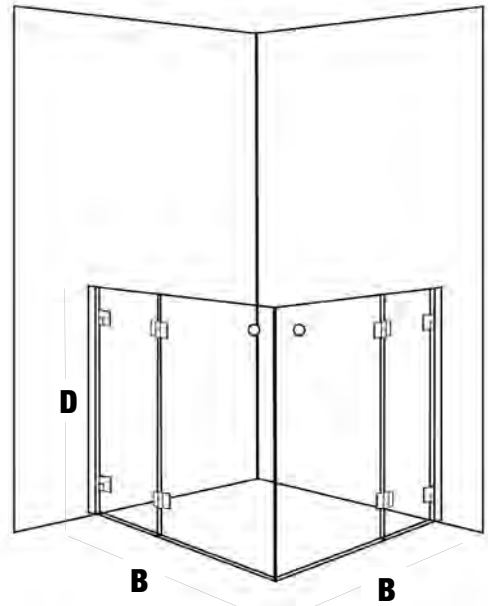
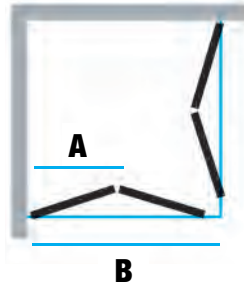
A	B	C	D	Code
517	980-1000	1940 - 1980	2000	P6840193
492	930 - 950	1840 - 1880	2000	P6840192
467	880 - 900	1740 - 1780	2000	P6840191
442	840 - 850	1640 - 1680	2000	P6840190
417	780 - 800	1540 - 1580	2000	P6840189
392	730 - 750	1440 - 1480	2000	P6840188
367	680 - 700	1340 - 1380	2000	P6840187
342	630 - 650	1240 - 1280	2000	P6840186
317	580 - 600	1140 - 1170	2000	P6840185

Chrome Extension Profile	Size	Code
Required when the full height bifold doors are being used in-line	25 x 15mm	P6840194

Freespace Two - In-line fixed full height 6mm glass

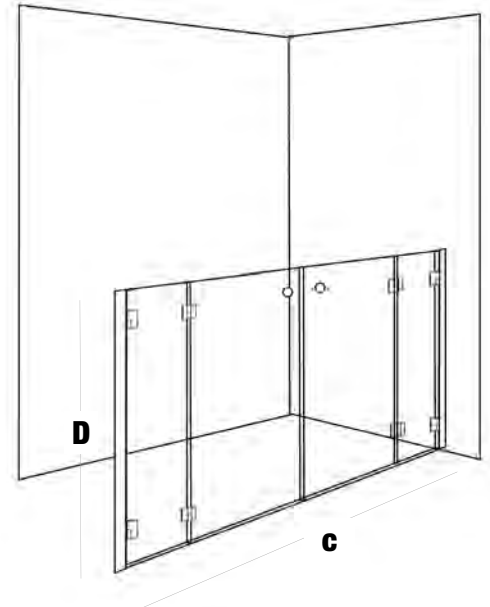
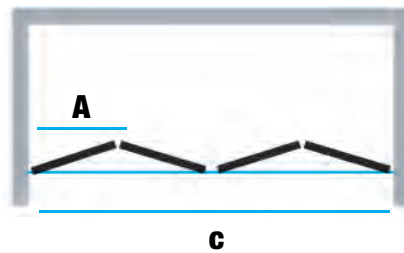
B	D	Code
1200	2000	P6840200
1000	2000	P6840199
900	2000	P6840198
800	2000	P6840197
750	2000	P6840196
700	2000	P6840195

Freespace Two - Corner bi-fold reduced height 6mm glass



Order one left hand and one right hand door to create a corner enclosure

Freespace Two - In-line bi-fold reduced height 6mm glass



Order one left hand and one right hand door to create an In-line enclosure

A	B	C	D	Right Hand	Left hand
315	580-600	1170-1210	1000	P6840000	P6840001
340	630-650	1270-1310	1000	P6840002	P6840003
365	680-700	1370-1410	1000	P6840004	P6840005
390	730-750	1470-1510	1000	P6840006	P6840007
415	780-800	1570-1610	1000	P6840008	P6840009
440	830-850	1670-1710	1000	P6840010	P6840011
465	880-900	1770-1810	1000	P6840012	P6840013
490	930-950	1870-1910	1000	P6840014	P6840015
515	980-1000	1970-2010	1000	P6840016	P6840017
540	1030-1050	2070-2110	1000	P6840018	P6840019
565	1080-1100	2170-2210	1000	P6840020	P6840021
590	1130-1150	2270-2310	1000	P6840022	P6840023
615	1180-1200	2370-2410	1000	P6840024	P6840025

Each set is supplied with an extension profile 25 x 15mm to complete the In-line length.



Wet Room Drainage

Phlexiline Living & Phleximax Systems

The Phlexiline Living and Phleximax Systems are innovative designs that have been created with style and ease of installation in mind. Whether onto concrete, timber or Premier Shower Deck everything is supplied in one box and enables a stunning Wet Room look.



Simple selection

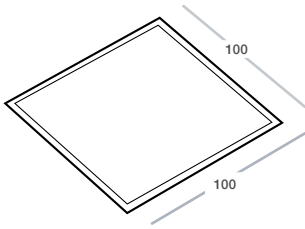
1. Choose your size
2. Choose your grate style
3. Choose your gulley

The code chosen is all you need, with everything in one box to install your wet room drainage.

Features and Benefits:

- A unique waterproof clamping system for tiled floors.
- A built in spring loaded odour trap ensures the gulley remains air tight, gas tight and water tight even if the trap is empty.
- All components supplied for concrete, timber or Premier Shower Deck installation.
- Packers for 22mm flooring.

When using these products for tiling a wet room, the tanking products on pages 150 - 151 must also be used. Our Premier Shower Decks are featured on pages 116 - 120.



Phleximax Tile Shower Drain Assembly

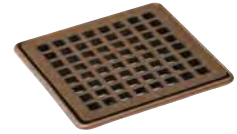
- 100 x 100mm
- Adjustable for tile thickness 6mm - 26mm



Satin S/Steel P6882550



Polished S/Steel P6882551



Bronze P6882552



Gravity Waste Traps for Phleximax Tile Shower Drain Assembly

- 90mm Trap
- 38mm outlet
- Flow rate of 34 litres per min
- 50mm water seal



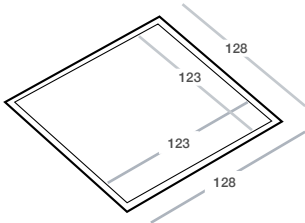
Gravity Waste Trap

Shallow waste S2220183



Shallow Waste for pump waste system

Shallow waste P6821631



Phleximax 50 grating for tiled floor

- 128 x 128mm



Phleximax 50 tile frame tile insert

- Chrome

Tile P6882472



Phleximax 50 tile frame twist insert

- Chrome

Twist P6882473



Phleximax 50 tile frame platinum insert

- Chrome

Platinum P6882474



Phleximax 50 shower gulley for vinyl floors

- Flow rate 48 ltrs per minute
- Supplied with adapter
- NOOD no-odour water trap
- Mechanical trap



Phleximax 50 shower gulley

- White

Gulley P6882441



Phleximax 50 vertical shower gulley

- White

Gulley P6882398



Phleximax 50 two part shower gulley

- Grey

Gulley P6882471



Drop



Twist



Tile Insert

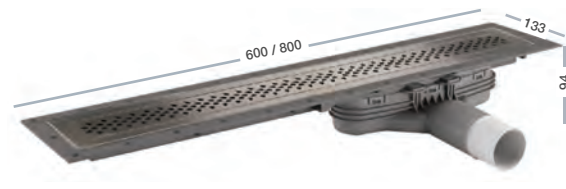


Phlexiline Living

50mm standard side outlet

- ABS 1 1/2 inch adapter
- Concrete & joist installation kits
- Flow rate 60 litres per minute

600	Drop	P6882500
800	Drop	P6882510

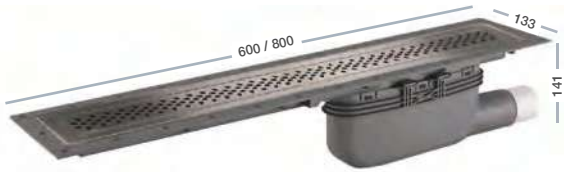


Phlexiline Living

50mm low mini outlet

- ABS 1 1/2 inch adapter
- Concrete & joist installation kits
- Flow rate 30 litres per minute

600	Drop	P6882503
800	Drop	P6882513



Phlexiline Living

50mm side/side outlet

- ABS 1 1/2 inch adapter
- Concrete & joist installation kits
- Flow rate 60 litres per minute

600	Drop	P6882506
800	Drop	P6882516

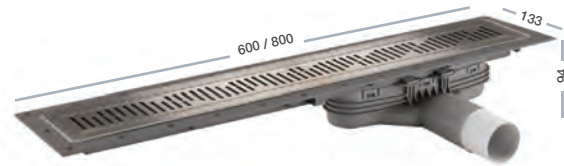


Phlexiline Living

50mm standard side outlet

- ABS 1 1/2 inch adapter
- Concrete & joist installation kits
- Flow rate 60 litres per minute

600	Twist	P6882501
800	Twist	P6882511

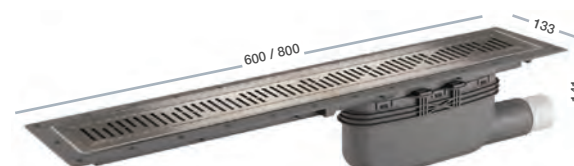


Phlexiline Living

50mm low mini outlet

- ABS 1 1/2 inch adapter
- Concrete & joist installation kits
- Flow rate 30 litres per minute

600	Twist	P6882504
800	Twist	P6882514

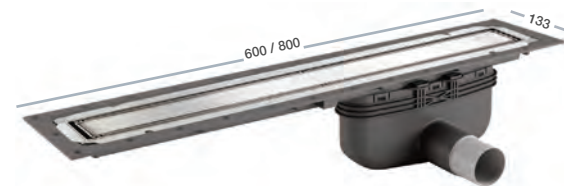


Phlexiline Living

50mm side/side outlet

- ABS 1 1/2 inch adapter
- Concrete & joist installation kits
- Flow rate 60 litres per minute

600	Twist	P6882507
800	Twist	P6882517

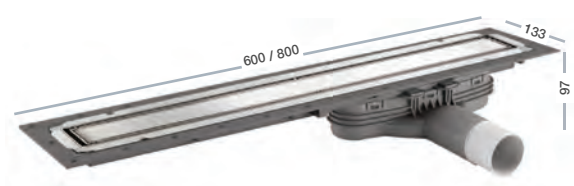


Phlexiline Living

50mm standard side outlet

- ABS 1 1/2 inch adapter
- Concrete & joist installation kits
- Flow rate 60 litres per minute

600	Tile	P6882502
800	Tile	P6882512

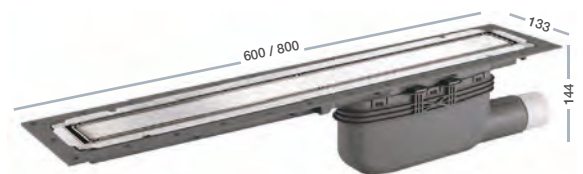


Phlexiline Living

50mm low mini outlet

- ABS 1 1/2 inch adapter
- Concrete & joist installation kits
- Flow rate 30 litres per minute

600	Tile	P6882505
800	Tile	P6882515



Phlexiline Living

50mm side/side outlet

- ABS 1 1/2 inch adapter
- Concrete & joist installation kits
- Flow rate 60 litres per minute

600	Tile	P6882508
800	Tile	P6882518



Phlexiline Living

50mm bottom outlet gully

- Includes tile grate & install kit
- Flow rate 72 litres per minute
- Concrete & joist installation kits

600	Tile	P6882395
800	Tile	P6882392

Phleximax Grating for vinyl floors

- 150mm Diameter



Wave

P6882453



Drop

P6882452

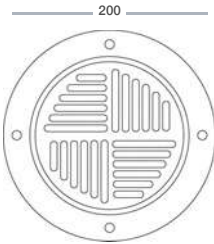


Art Deco

P6882451

Phleximax 50 shower gully for vinyl floors

- Flow rate 48 ltrs per minute
- Supplied complete with adapter
- NOOD no-odour water trap
- Mechanical trap



Phleximax 50 shower gully
• White

Gully

P6882441



Phleximax 50 vertical shower gully
• White

Gully

P6882398



Phleximax 50 two part shower gully
• Grey

Gully

P6882471

Phlexiline Living Plus standard side outlet

- For vinyl floors
- Stainless steel grate
- 50mm outlet with ABS 1 1/2 inch adapter
- Flow rate 60ltrs per minute



600

Chessgrate

P6882521

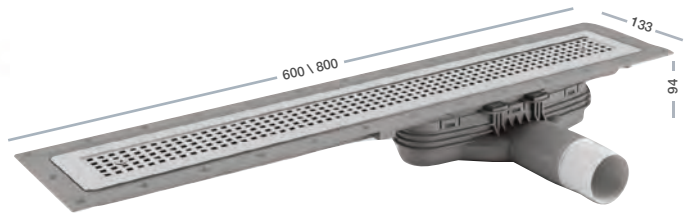
800

Chessgrate

P6882524

Phlexiline Living Plus low outlet

- For vinyl floors
- Stainless steel grate
- 50mm outlet with ABS 1 1/2 inch adapter
- Flow rate 30ltrs per minute



600

Chessgrate

P6882522

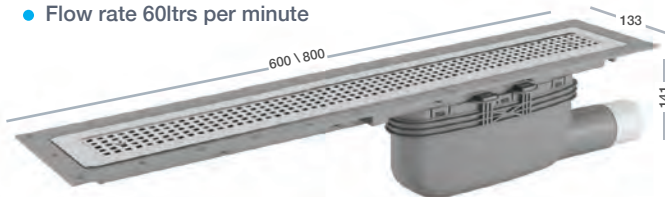
800

Chessgrate

P6882525

Phlexiline Living Plus side/side outlet

- For vinyl floors
- Stainless steel grate
- 50mm outlet with ABS 1 1/2 inch adapter
- Flow rate 60ltrs per minute



600

Chessgrate

P6882523

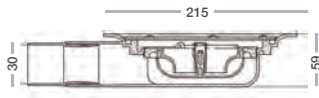
800

Chessgrate

P6882526

Phleximax S-Series 59mm floor gully

- Flow rate 48 litres per minute
- NOOD no-odour water trap
- 50mm to 1½" UK adapter & stainless steel clamping ring



Gully

P6882488

Phleximax Grating for vinyl floor

- 200 x 200mm
- Stainless steel



Drop

P6882489

Phleximax Grating for tiled floor

- 200 x 200mm
- Stainless steel



Classic

P6882487



Wave

P6882485



Art Deco

P6882484

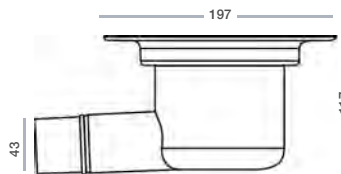


Drop

P6882486

Vinyl Form Shower Gully

- Flow rate of 48 litres per minute
- 50mm water seal



Shower Gully

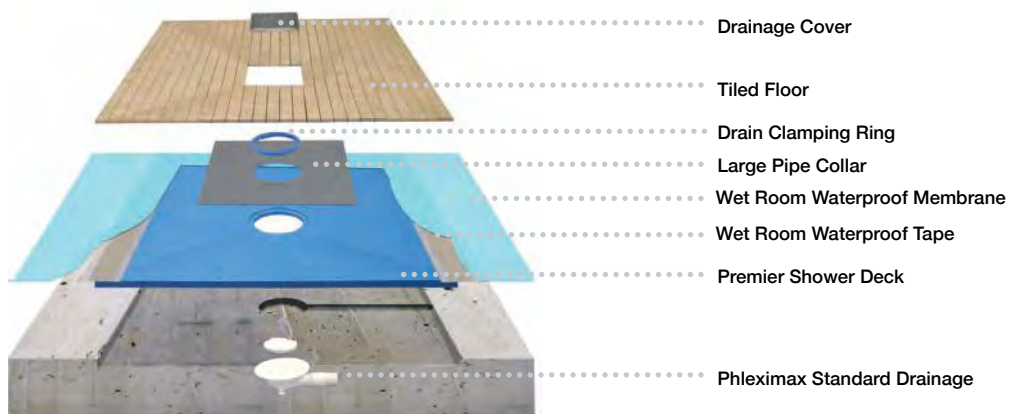
P6820599



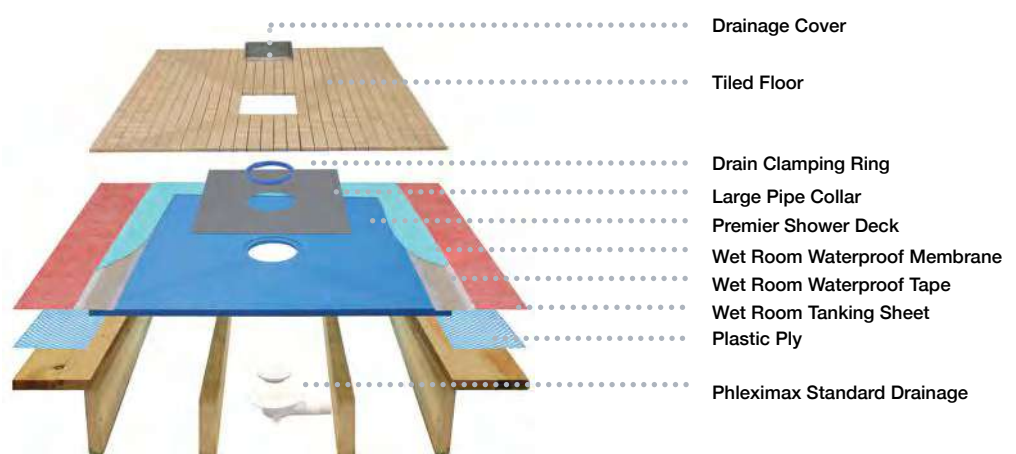
Waterproof Tanking

Wet Rooms are fast becoming the popular bathroom choice as a fully accessible and stylish option. For total confidence and ease of mind, our wet room components have been manufactured to work together perfectly, to ensure a watertight leak-free shower area.

Concrete Installation



Timber Installation



Nicobond Waterproof Membrane

A quick drying liquid applied waterproofing membrane for rigid surfaces in wet rooms, that dries to form a highly flexible membrane.



- Drying time: 2-4 hours
- Fix tiles after: 2-4 hours

Product	Code Number
Waterproof Membrane 8kg (approx 8m ²)	N5200100

Nicobond Tanking Sheet

Nicobond Wet room Tanking Sheet is designed to cover surfaces subject to movement such as chipboard, plywood and timber floor boards. Made from UV resistant polyethylene and faced with glass fibre fleece.



Product	Code Number
10m Roll x 750mm	N5200110

Nicobond Self Adhesive Tanking Sheet

A highly flexible & robust self adhesive butyl rubber /polypropylene tanking sheet for effective waterproofing of walls and floors.



- Thickness: 1.5mm
- Tensile Strength: 7N/mm²

Product	Code Number
10m x 1000mm	N5200180

Nicobond Internal & External Corners

Already cut waterproof internal and external corners which save time.



- Durable and flexible
- Self adhesive
- Saves time cutting to fit

Product	Code Number
Internal 140 x 140mm	N5200130
External 140 x 140mm	N5200140

Nicobond Waterproofing Tape

A strong reinforcing tape for internal corners and floor and wall joints.

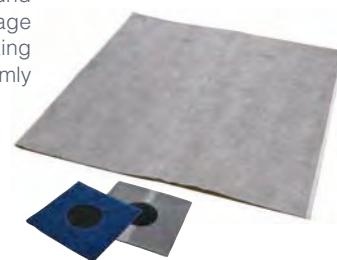


- Durable and flexible
- Self adhesive

Product	Code Number
Waterproof Tape 20mtr x 80mm	N5200125

Nicobond Pipe Collar

For efficient sealing around pipework, valves & drainage outlets. Remove the backing paper and press the collar firmly into position.



- Durable and flexible
- Self adhesive

Product	Code Number
375 x 375mm. Pre cut hole 39mm	N5200150
100 x 100mm. Pre cut hole 11mm	N5200160

Nicobond Plastic Ply

2mm thick, self adhesive timber reinforcing sheet, designed to facilitate the bonding of ceramic, porcelain & natural stones to timber floors.

- 4 sheets at 600 x 500mm
- Easy to cut & no drilling needed
- Stops cracked and loose tiles

Product	Code Number
1.2 m2 Pack (4 sheets 600 x 500mm)	N5100500





AquaMagic

Bath Replacement Shower

AquaMagic is our revolutionary range of self contained shower cubicles, that encompasses innovation, style and performance. Designed with users in mind, AquaMagic features a cool touch shower, leak free construction as well as the option of an anti slip tray, secure grab rails and a comfortable fold down seat. Furthermore, the easy installation means that replacing an old bath or shower is easier than ever before.



Features and Benefits:

- Inclusive design
- Side and back panel, 6mm toughened glass, front panel and door 8mm
- Anti-limescale treatment as standard
- Leak-free showering
- 30mm low profile tray for easy accessibility
- Cool to touch, thermostatic shower
- Suitable for corner or recess installation
- Fuss free, easy installation
- No silicone required
- Replace an existing bath in a day
- Anti slip finish available



AquaMagic +

The low profile, anti-slip shower tray, cool touch thermostatic valve and other safety features such as the support grab rail and fold down shower seat (accepts upto 150kg) makes AquaMagic + the optimum solution for accessible showering.



Corner Installations	Size	Code Number
Sliding Doors	1600 x 700mm	S6100559
Sliding Doors	1600 x 800mm	S6100561
Sliding Doors	1700 x 700mm	S6100563
Sliding Doors	1700 x 800mm	S6100565

Recess Installations	Size	Code Number
Sliding Doors	1600 x 700mm	S6100560
Sliding Doors	1600 x 800mm	S6100562
Sliding Doors	1700 x 700mm	S6100564
Sliding Doors	1700 x 800mm	S6100566



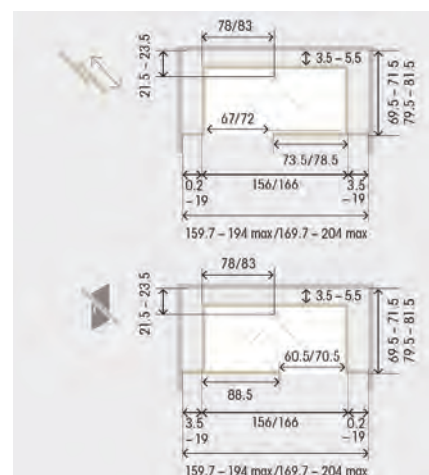
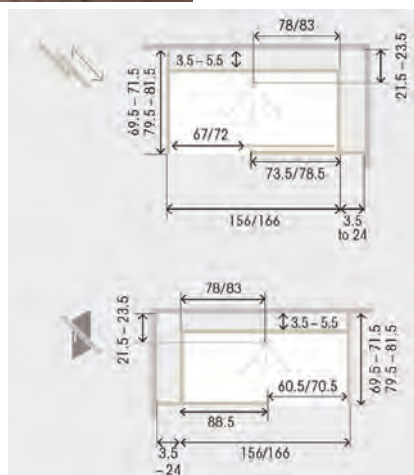
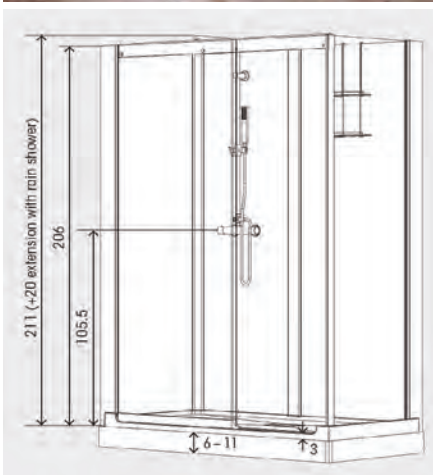
AquaMagic

Sleek glass panels and an anodised finish elevates AquaMagic into a class of its own, with high quality construction and easy, fast installation, perfect for replacing an old bath.



Corner Installations	Size	Code Number
Sliding Doors	1600 x 700mm	S6100543
Sliding Doors	1600 x 800mm	S6100545
Sliding Doors	1700 x 700mm	S6100547
Sliding Doors	1700 x 800mm	S6100549

Recess Installations	Size	Code Number
Sliding Doors	1600 x 700mm	S6100544
Sliding Doors	1600 x 800mm	S6100546
Sliding Doors	1700 x 700mm	S6100548
Sliding Doors	1700 x 800mm	S6100550



1200 and 1400mm length options also available.

Ideally allow 300mm working room above the cubicle to secure wall brackets comfortably. Glass panels for seat and shower valve interchangeable. If removing a 1700mm bath from a recess, please note that a 1600mm Aquamagic+ should be ordered to allow for pipework and fitting.



Bathroom

solutions

Baths

EcoTub Shallow Bath	157
Lowline Steel Baths	158
Windsor 2 Powered Bath	159
Windsor 3 Powered Bath	160
Cambridge Plus Power Bath	161
Cheltenham	162-163
Carlisle Walk-in Bath	164
Sudbury Walk-in Bath	165
Hi-Lo Bath	166-167
Bath Lifts	168
Bath Board	168
Easy Fit Bath Frame	169

W.C. Suites

Raised Height W.C. Suite	171-177
Standard Height W.C. Suite	171-177
Back To Wall Pans	175-176
Wall Hung Pans	177
Concealed Cisterns	178
Optional Extras	178

Shower Toilets

AquaClean Mera Care	179-180
AquaClean Mera	181
Bio Bidet	181
Optional Extras	181

Toilet Seats

Advanced	183
Big John	183
Ultimate	183
Olympus	184
Safeflush	184
Raised Bolt on Seats	184

Wash Basins

Wall Mounted	185-190
Pedestal Mounted	190-192
Semi Pedestal Mounted	192-194
Inset	195
Semi Countertop	195
Brackets and Fixings	195

Taps and Mixers

Taps and Mixers	196-207
TMV3 Thermostatic Taps & Mixers	202-206
TMV2 Thermostatic Taps & Mixers	203-204
Push Button and Sensor Taps	204-206
HTM64 Hospital Taps	206
Sink and Knee Operated Taps	207



Bathing Solutions

Selecting the right bath is essential. Consideration of current requirements and future needs, intensity of use, and levels of dependency all need to be taken into account. N&C Phlexicare offer a wide range to suit varying requirements, from basic walk-in models to the most complex powered baths. Furthermore, as manufacturers of sanitaryware we ensure the highest quality bathing products are offered to our customers.



Walk-in
Assistance Level **1**



Powered
Assistance Level **2**



Powered
Assistance Level **3-4**



Powered
Assistance Level **5**

Assistance Level Guide:

- 1** Minimal assistance, requires some mobility
- 2** Provides assistance with raising and lowering in the seated position. Requires some mobility
- 3** Provides lateral transfer from wheelchair to bath. Use with or without carer. Upper body mobility required
- 4** Provides lateral transfer from wheelchair, with powered traverse into bath
- 5** Provides lateral transfer, powered traverse and leg raiser to carry legs over the bath side

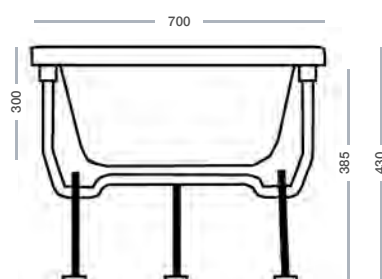
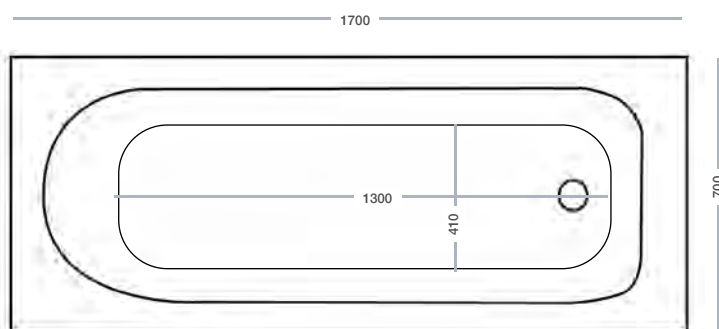


EcoTub

Shallow Bath



Our standard bath tubs hold 150 litres of water. With water saving having become a priority in recent years, N&C have manufactured an eco-friendly product range to help with reducing water usage/consumption. The EcoTub helps reduce the impact on the environment, whilst also providing the shallow easy access option of a traditional bath tub.



Features and Benefits:

- 1700mm length
- 430mm high
- 300mm tub depth
- 110 litre capacity
- Save up to 40 litres of water on every fill
- Shallow depth aids entry
- 5mm acrylic fully encapsulated base board

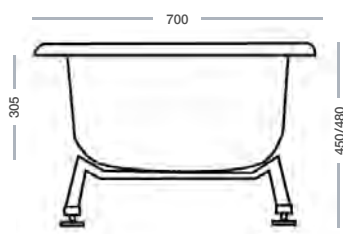
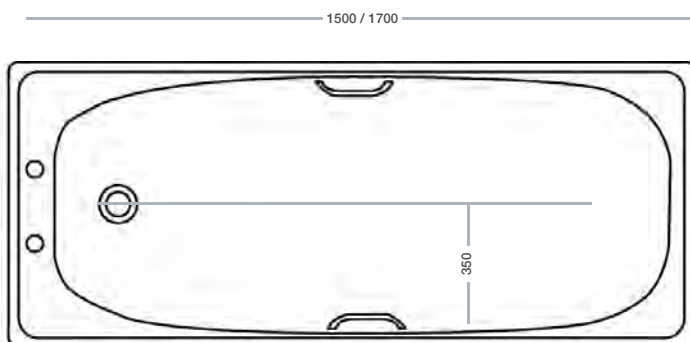
Product	Code Number
EcoTub 1700	S7006166
Front Panel 1700	S7006518
End Panel 700	S7006519



Steel Baths

Lowline

This low line bath has a minimum height of 450mm and maximum 480mm which makes it easier to step into and out of than conventional baths. Ideal for those who have difficulty getting in and out of a standard bath. Alternatively, our low line bath can be used where water conservation is required.



Features and Benefits:

- Interior finish has two coats of high quality vitreous enamel
- Exterior finish has one coat of rust proof vitreous enamel
- Anti splash bath rim
- Reduced height for ease of entry and exit
- Surefoot patterned shower base
- Adjustable metal cradle
- Water capacity:
1500 Bath 105 litres at 180mm depth
1700 Bath 120 litres at 180mm depth

Product	Code Number
1500 x 700 Twin Grip, anti slip	P6800241
1700 x 700 Twin Grip, anti slip	P6800251

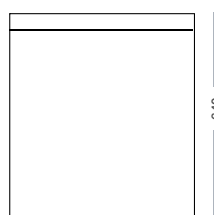
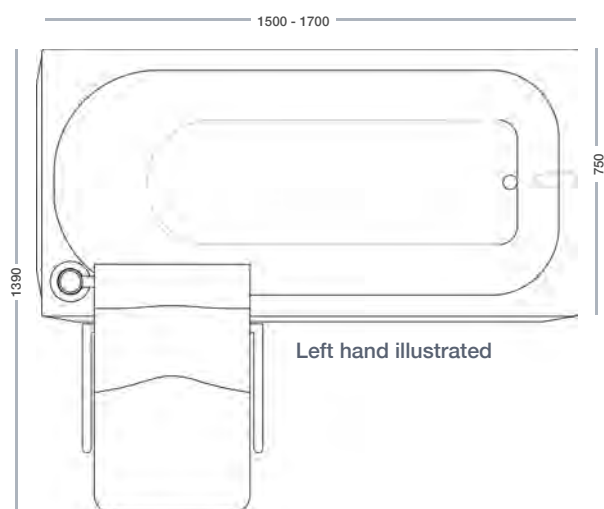


Windsor 2

Powered Bath



The Windsor 2 powered traverse bath not only comes complete with a built-in seat lift but also features a power traverse to swing the user over the bath ready to be lowered into the water. This feature is operated by the convenient hand control. It is the deepest bath of its kind available and offers a range of options from a child care seat (ages 1-5 years approx) to a support strap and nursing arms for additional support.



Optional Extras	Code Number
* Hoist Access Panel	P6808550
Child Seat Conversion	P6808541
Nursing Arms	P6808542
Safety Straps	P6808543
GRP Side Panel	P6808548
GRP End Panel	P6808549

Features and Benefits:

- Powered by 24 volts with full battery back up
- 24 stone (150kg) safe lifting weight
- Choice of folding armrests / safety strap
- Left or right handed models
- Optional child seat conversion
- Powered traverse
- Thermostatic TMV3 water control
- 440mm internal depth
- Access for mobile hoist (1700mm model only)*

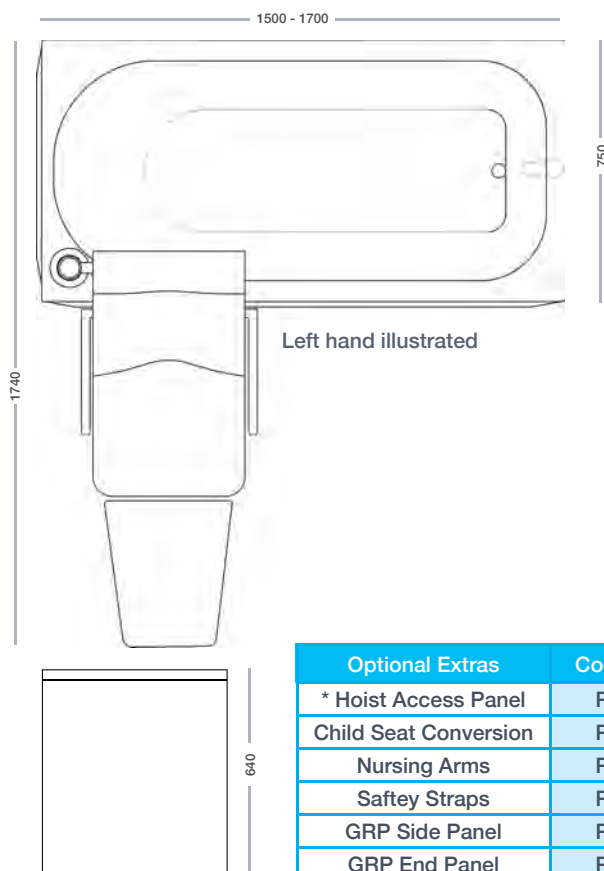
Product		Code Number
Windsor 2 1500	Left Hand	P6808535
Windsor 2 1500	Right Hand	P6808534
Windsor 2 1700	Left Hand	P6808533
Windsor 2 1700	Right Hand	P6808532



Windsor 3

Powered Bath

The Windsor 3 powered traverse bath not only comes complete with a built-in seat lift but also features power traverse to swing the user over the bath with the addition of a leg lift to raise the patient's legs over the side of the bath.



Features and Benefits:

- Unique leg-lift
- Powered by 24 volts with full battery back up
- 24 stone (150kg) safe lifting weight
- Status monitor
- Choice of folding armrests / safety strap
- Left or right handed models
- Power traverse
- Thermostatic TMV3 water control
- 440mm internal depth
- Access for mobile hoists (1700mm model only) *

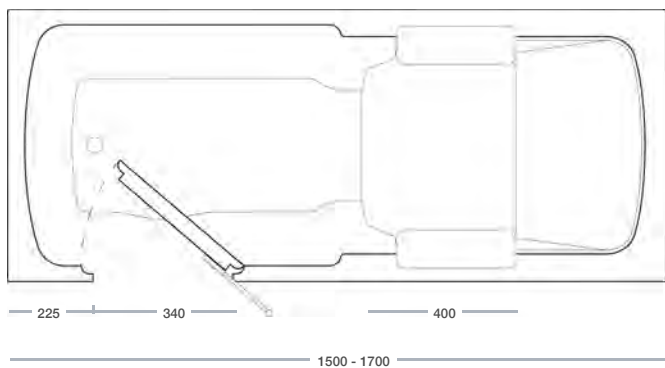
Product		Code Number
Windsor 3 1500	Left Hand	P6808539
Windsor 3 1500	Right Hand	P6808538
Windsor 3 1700	Left Hand	P6808537
Windsor 3 1700	Right Hand	P6808536



Cambridge Plus

Powered Bath

A conventional full-length bath, with the advantage of the walk-in facility provided by a door at one end, and a powered seat to assist in safely raising and lowering oneself. The easy access door opens inwards in left or right-hand options to ensure optimum use of bathroom space. The rise and fall mechanism is powered by low voltage components, with push button controls operating pneumatically for further isolation.



Left hand illustrated

Optional Extras	Code Number
End Panel	P6808580

Features and Benefits:

- 24 volt powered, with battery back up
- The qualities of a luxury bath
- Safe lifting weight - 26 stone (165kg)
- Watertight easy access door
- Easy locking mechanism
- Left or right hand configuration
- Thermostatic TMV3 valve
- Non flexible silicone door seals
- 400mm seat width
- 390mm seat lifting height

Product		Code Number
Cambridge Plus 1500	Left Hand	P6808576
Cambridge Plus 1500	Right Hand	P6808577
Cambridge Plus 1700	Left Hand	P6808578
Cambridge Plus 1700	Right Hand	P6808579

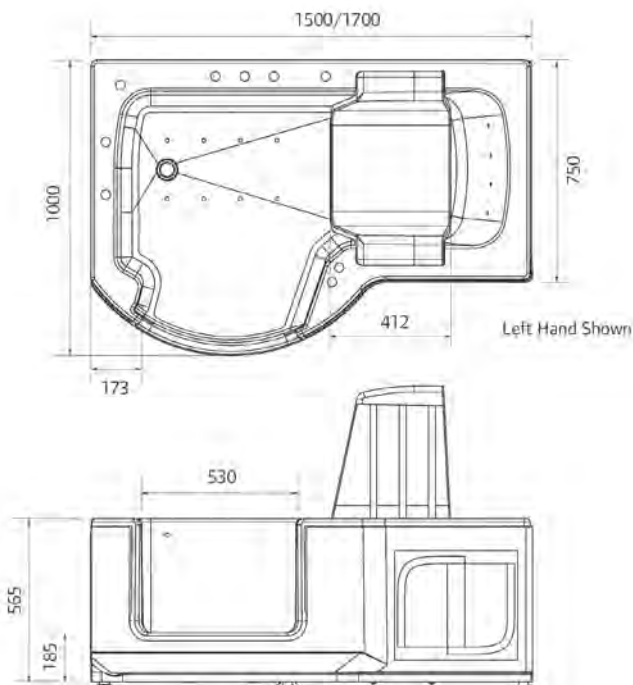


Cheltenham

Powered Bath



Our Cheltenham powered bath range is ideal for bathrooms which require versatile bathing and showering. It's P-shape design allows for an incredibly spacious showering area, with a width of 1000mm, much wider than a normal sized p-shaped design. Choose between three different styles which come complete with different accessories and additional features and benefits.



Features and Benefits:

- Lifetime guaranteed, leak-free seal
- Contoured soft or hard seat options
- P-shaped design
- Left or right-hand hinged door
- Suitable for the whole family
- Bio Cote antimicrobial finish



Cheltenham P Shaped Bath

- Lifetime guaranteed, leak-free seal
- P-shaped design
- Left or right hand hinged door
- Available in both 1500 - 1700mm

Product		Code Number
Cheltenham 1500	Left Hand	P6808630
Cheltenham 1500	Right Hand	P6808631
Cheltenham 1700	Left Hand	P6808632
Cheltenham 1700	Right Hand	P6808633



Cheltenham 1 P Shaped Bath and Shower Screen

- Lifetime guaranteed, leak-free seal
- P-shaped design
- Left or right hand hinged door
- Available in both 1500 - 1700mm

Product		Code Number
Cheltenham 1500	Left Hand	P6808634
Cheltenham 1500	Right Hand	P6808635
Cheltenham 1700	Left Hand	P6808636
Cheltenham 1700	Right Hand	P6808637



Cheltenham 2 P Shaped Bath and Power Seat

- Lifetime guaranteed, leak-free seal
- P-shaped design
- Left or right hand hinged door
- Contoured soft or hard seat
- Available in both 1500 - 1700mm

Product		Code Number
Cheltenham 1500	Left Hand	P6808638
Cheltenham 1500	Right Hand	P6808639
Cheltenham 1700	Left Hand	P6808640
Cheltenham 1700	Right Hand	P6808641



Cheltenham 3 P Shaped Bath Shower Screen and Power Seat

- Lifetime guaranteed, leak-free seal
- P-shaped design
- Left or right hand hinged door
- Contoured soft or hard seat
- Available in both 1500 - 1700mm

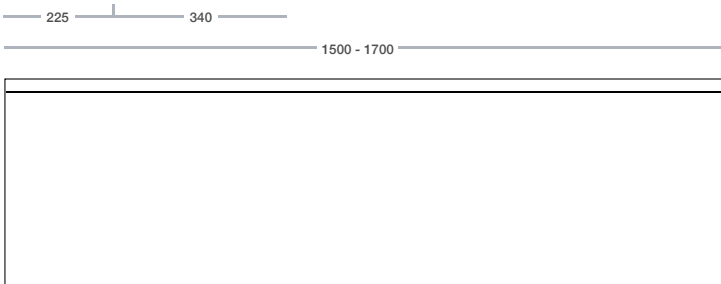
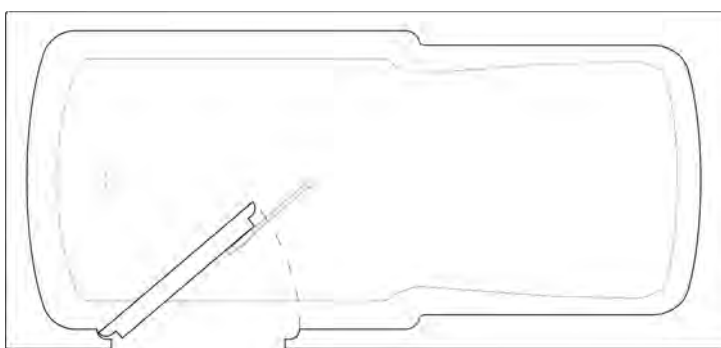
Product		Code Number
Cheltenham 1500	Left Hand	P6808642
Cheltenham 1500	Right Hand	P6808643
Cheltenham 1700	Left Hand	P6808644
Cheltenham 1700	Right Hand	P6808645



Carlisle

Walk-in Bath

The Carlisle bath is ideal for users that may no longer be able to easily access a conventional bath, requiring assistance to bathe. The Carlisle Walk-in Bath comprises of a conventional full-length bath, with the advantage of the walk-in facility provided by a door at one end. The easy access door opens inwards in left or right-hand options to ensure optimum use of bathroom space.



Left hand illustrated

Features and Benefits:

- 1500mm and 1700mm length baths available
- Left and right handed models
- Door opens inwards with secure locking mechanism
- Non-perishable silicone door seals guaranteed for life
- Easy operation locking door mechanism

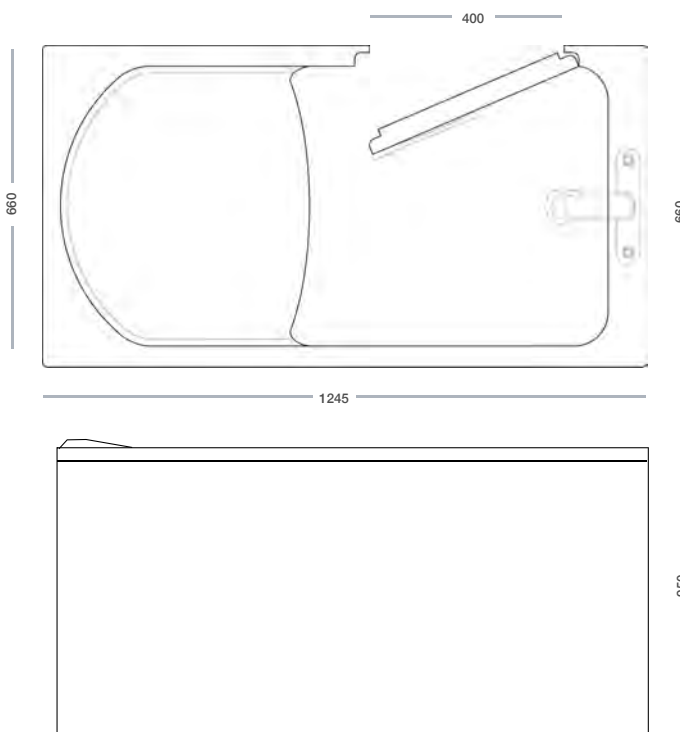
Product		Code Number
Carlisle 1500	Left Hand	P6808581
Carlisle 1500	Right Hand	P6808582
Carlisle 1700	Left Hand	P6808583
Carlisle 1700	Right Hand	P6808584
End Panel		P6808585



Sudbury

Walk-in Bath

The Sudbury bath provides easy access and a contoured seat for comfort. With a step as low as 120mm high, it assists users with difficulties accessing the bath. The simple design of the Sudbury walk-in allows it to be situated almost anywhere and includes a thermostatically controlled TMV3 shower for the control of hot water.



Features and Benefits:

- Contoured seat
- Anti-slip finishes on seat and base
- Door opens inwards with secure locking mechanism
- Non-perishable silicone door seals guaranteed for life
- Ultra compact for limited space situations
- Optional shower canopy and booster cushion
- Left or right hand door option
- Bath waste

Product		Code Number
Sudbury	Left Hand	P6808551
Sudbury	Right Hand	P6808552
Side Panel		P6808553



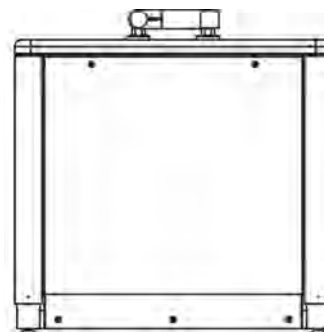
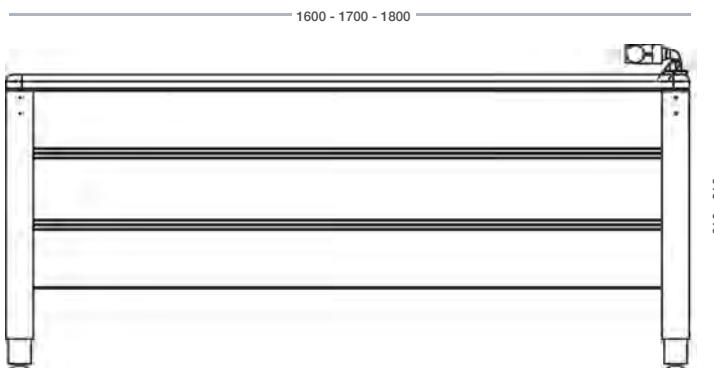
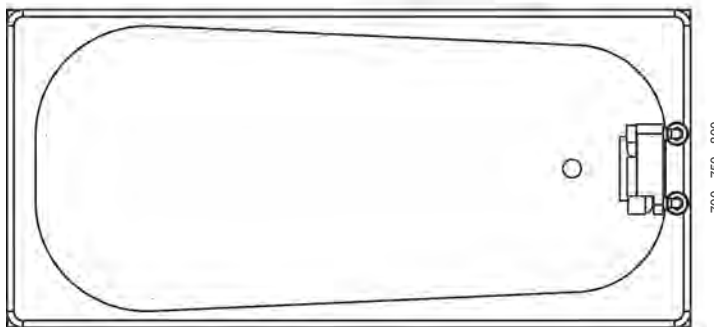
Hi-Lo Bathtub

Electrical Height Adjustable

Our height adjustable Hi-Lo Bathtub has been designed with the working posture of carers in mind. The rise and fall mechanism is switch controlled for easy handling. The Hi-Lo Bathtub comes complete with a mixer tap, hand shower, flexible connecting hoses and flexible waste and trap, with the option of a shower bed.

Features and Benefits:

- Range of height adjustment from 61-91cm
- Adjustment of the bathtub to the required height by means of control switch
- The bathtub is provided with mixer tap, hand shower, flexible connecting hoses and flexible waste and trap
- Open access at the sides for mobile hoist use
- The bathtub is available in 3 sizes from 160-180cm





Left hand shower bed illustrated



The shower bed is handed by the hinge side when viewed from the foot end of the bath.

Product	Size	Code Number
Hi Lo Bathtub	1600 x 700mm	P6808604
Hi Lo Bathtub	1700 x 750mm	P6808605
Hi Lo Bathtub	1800 x 800mm	P6808606

Product	Size	Hand	Code Number
Shower Bed	1550 x 680mm	Right	P6808607
Shower Bed	1650 x 730mm	Right	P6808608
Shower Bed	1750 x 780mm	Right	P6808609
Shower Bed	1550 x 680mm	Left	P6808610
Shower Bed	1650 x 730mm	Left	P6808611
Shower Bed	1750 x 780mm	Left	P6808612

Product	Size	Code Number
Bed Guard	1600mm	P6808613
Bed Guard	1700mm	P6808614
Bed Guard	1800mm	P6808615

Product	Code Number
Support for hand shower, for mounting on bath	P6808622

Product	Code Number
Brake Wheels for Bathtub 1600mm	P6808623
Brake Wheels for Bathtub 1700mm	P6808624
Brake Wheels for Bathtub 1800mm	P6808625

(Height increase 90mm)

Product	Code Number
Flexible Plumbing Kit to suit 1600 / 1700mm	P6808626
Flexible Plumbing Kit to suit 1800mm	P6808627

Bathmaster Deltis Bathlift

The ideal solution for multi-user bathrooms, the bathmaster combines superb functionality, design and performance for this ultra lightweight product that can simply be lifted in and out of the bath when required. The Bathmaster separates into two sections allowing easy lifting and carrying.

- Ultra lightweight reclining bath lift
- Compact frame fits virtually all bath tubs
- Latest battery technology ensures high performance
- Waterproof hand control

Dimensions

Seat 500 x 375mm (excluding side flaps)
Overall 500 x 695mm (including side flaps)

Backrest 680 x 350mm
Footprint 560 x 295mm
Maximum weight 140kg



Product	Code Number
Blue Cover	P6808600
White Cover	P6808601
No Cover	P6808602

Bathing Cushion Bath Lift

An easy to use solution that lowers users gently into the bath. Once there they can opt to have cushioned back support, or release all the air to lie right back and bathe as normal. After bathing, it can be re-inflated using the Airflo compressor to lift the user steadily back up, level with the top of the bath. The Bathing Cushion bath lift is designed to offer increased stability and comfort. Weighing only 2kg (4.4lbs) and featuring a carry handle, it is portable making it ideal for taking away on visits or on holiday. It can also be set up or removed in seconds and requires no fixtures or adaptations to an existing bathroom. Note: This product is only suitable for users with good upper body stability.

Dimensions

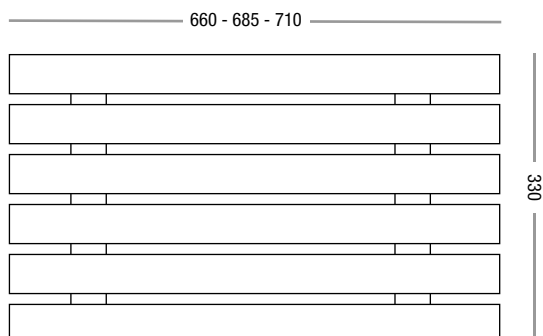
Seat 580 x 440mm
Inflated height 400mm
Maximum weight 150kg



Product	Code Number
Bathing Cushion	P6808603

Bath Board 6 Slats

The shower and Bath Board is a high quality reinforced plastic bath board with self locking cleats, that is simple to install and maintain. The surface is wipe clean for easy maintenance, safety and hygiene. The slatted surface conforms to MHRA guidelines. Maximum weight 159kg



Product	Code Number
660mm (26") - 6 Slats	P6828703
685mm (27") - 6 Slats	P6828704
710mm (28") - 6 Slats	P6828690



Easy Fit Frame

Bath Panel Support Frame

The N&C Easy Fit bath panel support frame is our innovative, new system for the easy, fast and cost effective solution to installing baths. The N&C Easy-Fit Frame is a revolutionary solution for bathroom installers negating the need for timely, costly timber frame constructions.

The traditional method of fitting a bath panel to a bath tub involves a timber frame being constructed to support the bath panel that involves a skilled carpenter, heavy material, additional costs and time.



Features and Benefits:

- Saves time and money
- No trade skill needed
- Fully adjustable
- Manufactured from ABS
- Re-useable
- Pre drilled feet at 45° angle for ease of installation
- Fits 70% of UK bath tubs and all types of bath panels including tiled



Fully adjustable front frame

Product	Code Number
1500 - 1800mm	S2000175

End frame

Product	Code Number
700mm	S2000176



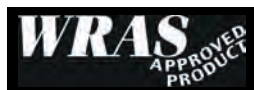
W.C. Suites

Raised Height & Standard Height

N&C Phlexicare offer a vast selection of W.C. suites to suit all abilities and adaptations. Dual flush to aid water conservation on both lever and push button operated toilets, raised height models with extended projection to aid and assist in wheelchair transfer, as well as standard height suites to match our raised height products.



W.C. suites with security fixed cistern lids to meet BS8300 for accessible toilets.



All of our suites are tested to Water Regulations Advisory Scheme (W.R.A.S.) approved standards to ensure quality in function.

Our designs are modern and aesthetically superior to other specialist products available.



Low Level



Close Coupled



Back to Wall



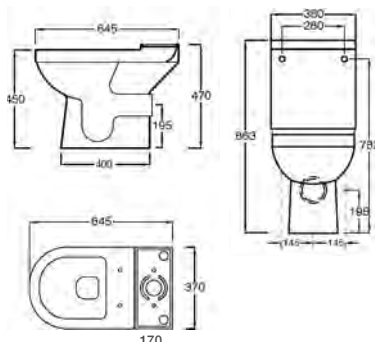
Wall Hung

Vogue - Raised Height Close Coupled W.C. Suite - Spatulate Lever

450mm high W.C. for easy transfer from wheelchair to pan. Reversible lever.

Product	Code Number
W.C. Pan	P7004040
Cistern Shell	P7004045
Cistern Fittings 6 litre	P7004046
Cistern Fittings 4 litre	P7004047

Optional Extra	Code Number
Soft Close Toilet seat & Cover	S7003851

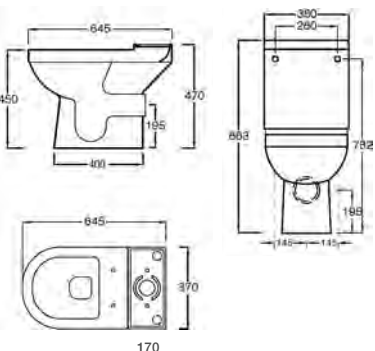


Vogue - Raised Height Close Coupled W.C. Suite - Push Button

450mm high W.C. for easy transfer from wheelchair to pan. Dual flush.

Product	Code Number
W.C. Pan	P7004040
Cistern Shell	P7004042
Cistern Fittings 6/4 litre	P7004043
Cistern Fittings 4/2.6 litre	P7004044

Optional Extra	Code Number
Soft Close Toilet seat & Cover	S7003851

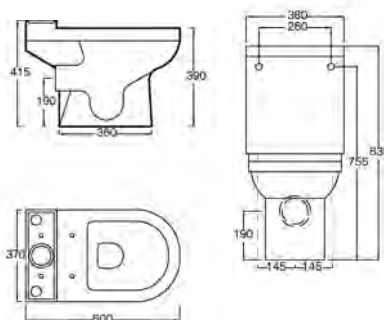


Vogue - Standard Height Close Coupled W.C. Suite - Lever

400mm high close coupled W.C. suite.
Lever flush operation.

Product	Code Number
W.C. Pan	S7003847
Cistern Shell	S7003853
Cistern Fittings 6 litre	S7003864
Cistern Fittings 4 litre	S7003865

Optional Extra	Code Number
Soft Close Toilet Seat & Cover	S7003851

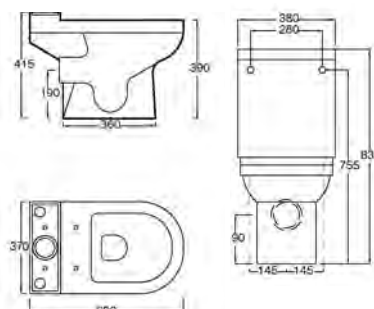


Vogue - Standard Height Close Coupled W.C. Suite - Push Button

400mm high close coupled suite. Dual flush, push button operation.

Product	Code Number
W.C. Pan	S7003847
Cistern Shell	S7003852
Cistern Fittings 6/4 litre and 4/2.6 litre	S7003861

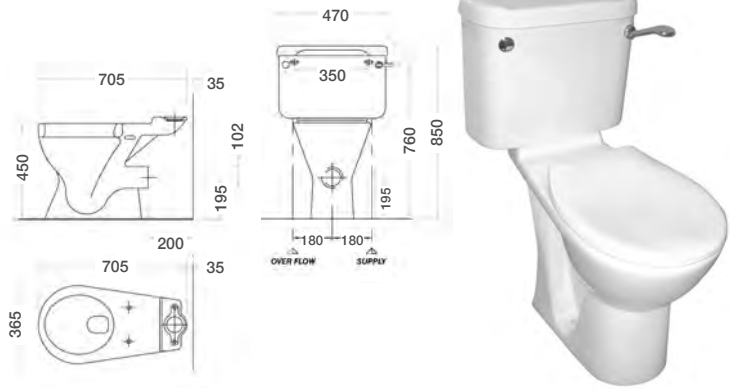
Optional Extra	Code Number
Soft Close Toilet Seat & Cover	S7003851



Pentland Modern - Raised Height Close Coupled W.C. Suite - Spatulate Lever

450mm high Close Coupled W.C. with dual flush (6/4 ltr) bottom supply, complete with spatulate lever, reversible operation.

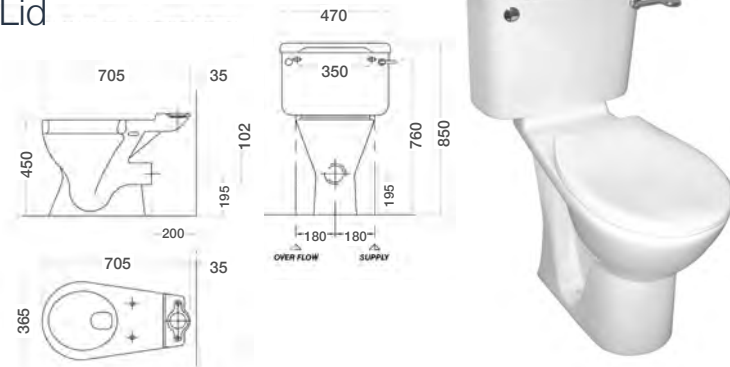
Product	Code Number
W.C. Pan	P7004001
Cistern Shell	P7004002
Cistern Fittings	P7004003



Pentland Modern - Raised Height Close Coupled W.C. Suite - Security Fixed Cistern Lid

450mm high close coupled W.C. with dual flush (6/4 ltr) bottom supply reversible spatulate lever and security fixed cistern lid.

Product	Code Number
W.C. Pan	P7004001
Cistern Shell	S7004075
Cistern Fittings	S7004076



Pentland Modern - Raised Height Close Coupled W.C. Suite - Push Button

450mm high close coupled W.C. suite with dual flush (6/4 ltr. and 4/2.6 ltr. available) push button operation, bottom supply.

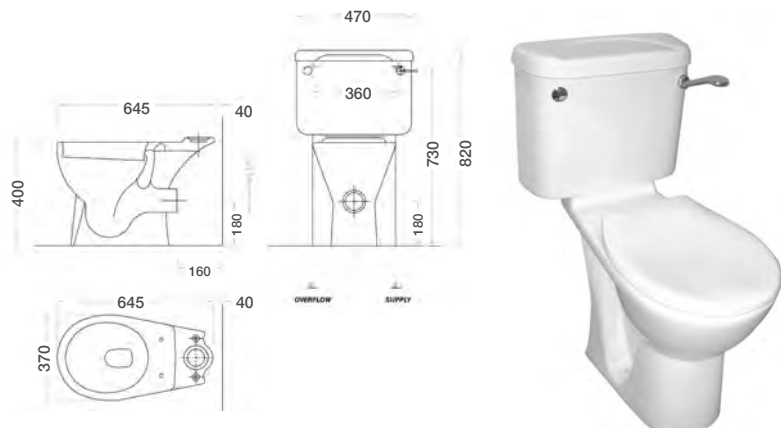
Product	Code Number
W.C. Pan	P7004001
Cistern Shell	S7004046
Cistern Fittings 6/3 litre	S7006008
Cistern Fittings 4/2.6 litre	S7004156



Modern - Standard Height Close Coupled W.C. Suite- Spatulate Lever

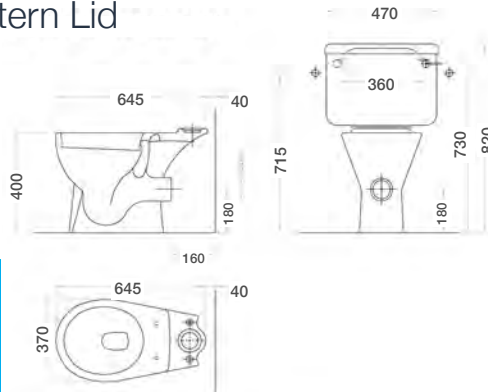
400mm high close coupled W.C. suite with dual flush (6/4 ltr.) bottom supply and spatulate lever, reversible.

Product	Code Number
W.C. Pan	S7004001
Cistern Shell	P7004002
Cistern Fittings	P7004003



Modern - Standard Height Close Coupled W.C. Suite - Security Fixed Cistern Lid

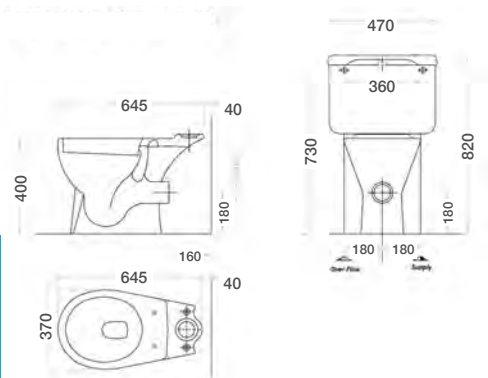
400mm high close coupled W.C. suite with dual flush (6/4 ltr) bottom supply, reversible spatulate lever operation and security fixed cistern lid.



Product	Code Number
W.C. Pan	S7004001
Cistern Shell	S7004075
Cistern Fittings	S7004076

Modern - Standard Height Close Coupled W.C. Suite - Push Button

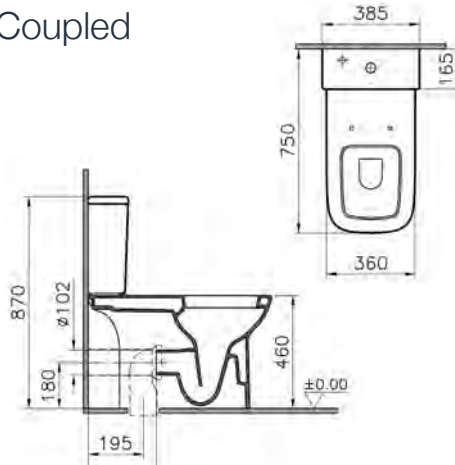
400mm high close coupled W.C. suite with dual flush (6/4 ltr and 4/2.6 ltr available) push button operation, bottom supply.



Product	Code Number
W.C. Pan	S7004001
Cistern Shell	S7004046
Cistern Fittings 6/3 litre	S7006008
Cistern Fittings 4/2.6 litre	S7004156

Embrace - Raised Height Close Coupled W.C. Suite - Push Button

450mm high close coupled W.C. suite with single flush (6 ltr) push button operation.

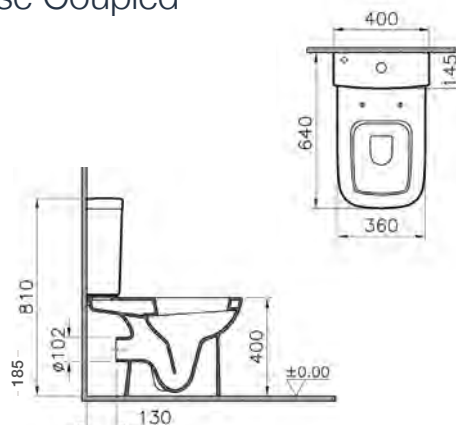


Product	Code Number
W.C. Pan	P6820605
Cistern Shell and Fittings	P6820606
15mm Flexible Connector	S9920022

Optional Extra	Code Number
Toilet Seat & Cover	S7005916
Soft Close Toilet Seat & Cover	S7005917

Embrace - Standard Height Close Coupled W.C. Suite - Push Button

400mm high close coupled W.C. suite with dual flush (6/3ltr) push button operation, an optional soft close seat and cover available.



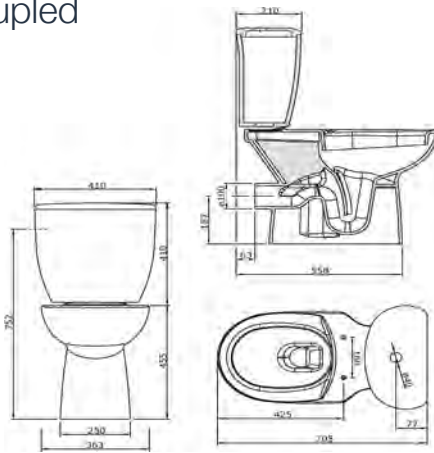
Product	Code Number
W.C. Pan	S7005919
Cistern Shell and Fittings	S7005914

Optional Extra	Code Number
Toilet Seat & Cover	S7005916
Soft Close Toilet Seat & Cover	S7005917

Eclipse - Raised Height Close Coupled W.C. Suite- Spatulate Lever

450mm high W.C. suite for easy transfer from wheelchair to seat. Lever flush operation.

Product	Code Number
W.C. Pan	P6820617
Cistern Shell	P6820618
Cistern Fittings	P6820619
Optional Extra	Code Number
Toilet Seat & Cover	P6820620
Soft Close Toilet Seat & Cover	P6820622



Eclipse - Raised Height Close Coupled W.C. Suite - Push Button

450mm high W.C. for easy transfer from wheelchair to seat. Push button flush operation.

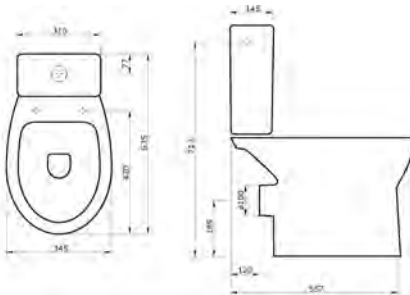
Product	Code Number
W.C. Pan	P6820617
Cistern Shell and Fittings	P6820621
Optional Extra	Code Number
Toilet Seat & Cover	P6820620
Soft Close Toilet Seat & Cover	P6820622



Eclipse - Standard Height Close Coupled W.C. Suite - Push Button

Standard height close coupled W.C. suite with an optional soft close seat and cover available.

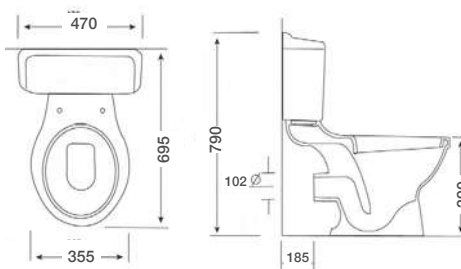
Product	Code Number
W.C. Pan	S7005891
Cistern Shell and Fittings	S7005892
Optional Extra	Code Number
Toilet Seat & Cover	S7005893
Soft Close Toilet Seat & Cover	S7005894



Broadgate - Standard Height Close Coupled W.C. Suite

400mm high close coupled W.C. suite with standard lever flush, bottom supply.

Product	Code Number
W.C. Pan	S7006004
Cistern Shell	S7006005
Cistern Fittings	S7006006

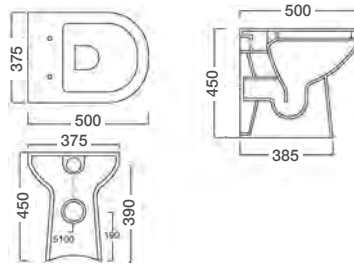




Vogue - Raised Height Back to Wall W.C. Pan

450mm high W.C. for easy transfer from wheelchair to seat. This pan can be flushed using 6/4ltr or 4/2.6ltr cisterns

Product	Code Number
W.C. Pan	P7004041
Optional Extra	
Compensater Box	S2000230
Concealed Lever Cistern	S2156521
Concealed Spatulate Lever	P6830821
Extended Flush Bend 760x305mm	S2177001
Optional Extra	
Soft Close Toilet seat & Cover	S7003851

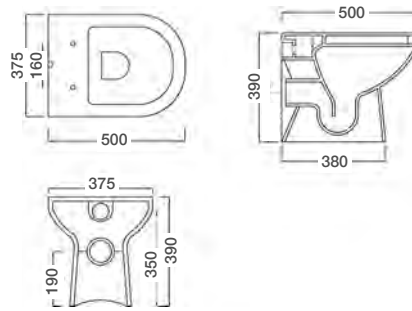


For push button dual flush concealed eco cistern option use Miniflo

Vogue - Standard Height Back to Wall W.C. Pan

Standard height back to wall W.C. This pan can be flushed using 6/4ltr or 4/2.6ltr cisterns

Product	Code Number
W.C. Pan	S7003849
Optional Extra	
Soft Close Toilet Seat & Cover	S7003851

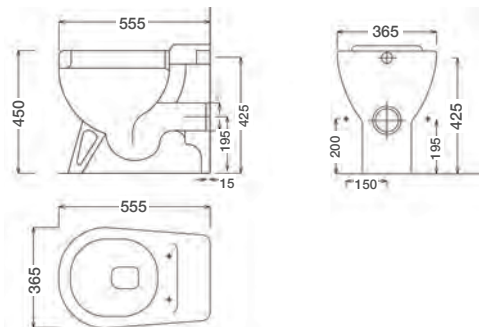


For push button dual flush concealed eco cistern option use Miniflo

Pentland Modern - Raised Height Back to Wall W.C. Pan

450mm high back to wall W.C. pan.

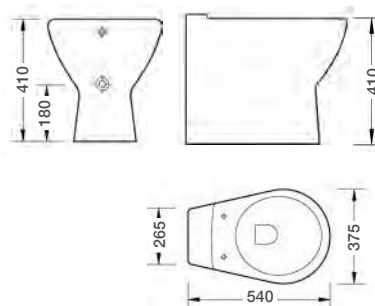
Product	Code Number
W.C. Pan	P7004004
Optional Extra	
Compensater Box	S2000230
Concealed Lever Cistern	S2156521
Concealed Spatulate Lever	P6830821
Extended Flush Bend 760x305mm	S2177001



Modern - Standard Height Back to Wall W.C. Pan

Standard height back to wall W.C. pan with an optional soft close seat and cover available.

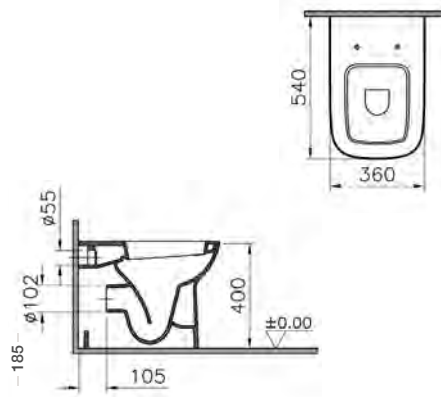
Product	Code Number
W.C. Pan	S7004005
Optional Extra	
Toilet Seat & Cover	S2182707
Soft Close Toilet Seat & Cover	S2182710



Embrace - Standard Height Back to Wall W.C. Pan

Standard height back to wall W.C. pan with an optional soft close seat and cover available.

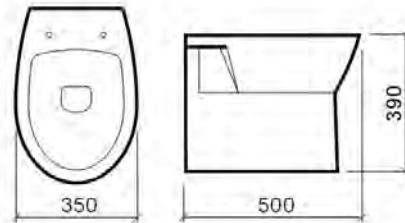
Product	Code Number
W.C. Pan	S7005915
Optional Extra	
Toilet Seat & Cover	S7005916
Soft Close Toilet Seat & Cover	S7005917



Eclipse- Standard Height Back to Wall W.C. Pan

Standard height back to wall W.C. pan with an optional soft close seat and cover available.

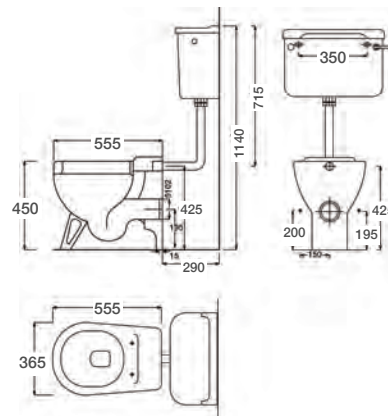
Product	Code Number
W.C. Pan	S7005895
Optional Extra	
Toilet Seat & Cover	S7005893
Soft Close Toilet Seat & Cover	S7005894



Pentland Modern - Raised Height Low Level W.C. Suite - Spatulate Lever

450mm high – low level W.C. with dual flush (6/4ltr.) side supply and standard lever reversible.

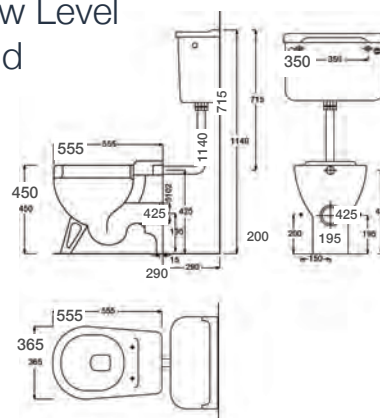
Product	Code Number
W.C. Pan	P7004004
Cistern Shell	S7004038
Cistern Fittings	S7004039
Option Extra	
Spatulate Lever	P6830810



Pentland Modern - Raised Height Low Level W.C. Suite - Security Fixed Cistern Lid

450mm high, low level W.C. with dual flush (6/4ltr) side supply, standard reversible lever and security fixed cistern lid.

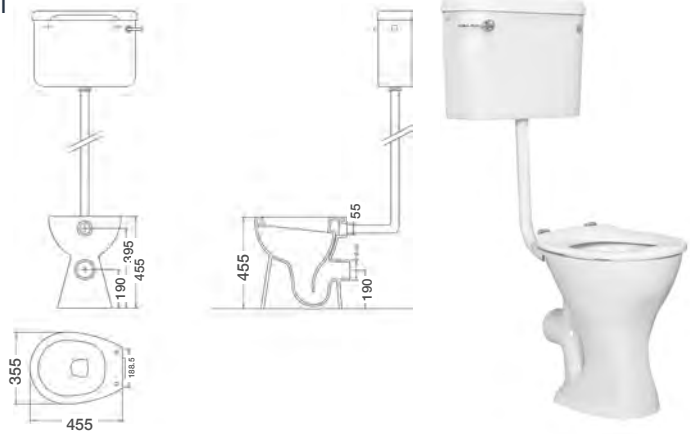
Product	Code Number
W.C. Pan	P7004004
Cistern Shell	S7004073
Cistern Fittings	S7004074
Option Extra	
Spatulate Lever	P6830810



Broadgate - Raised Height Low Level W.C. Suite

450mm high low level W.C. suite reversible standard lever, side supply.

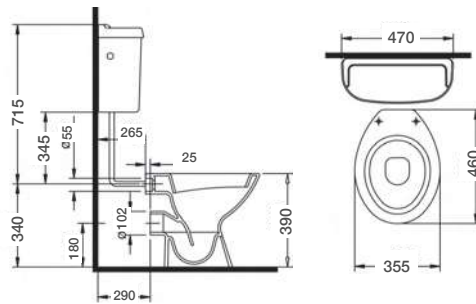
Product	Code Number
W.C. Pan	P6830102
Cistern Shell	S7004038
Cistern Fittings	S7004039
Optional Extra	Code Number
Spatulate Lever	P6830811
Extended Flush Bend	S2177001



B.S.S. - Standard Height Low Level W.C. Suite

400mm high low level W.C. suite with standard lever flush, side supply.6/3 ltr flush.

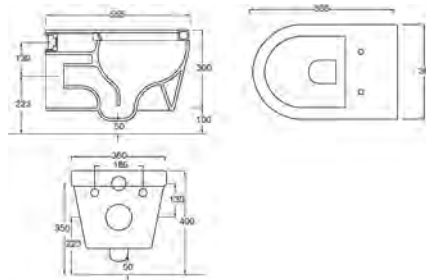
Product	Code Number
W.C. Pan	S7006010
Cistern Shell	S7006013
Cistern Fittings	S7006014



Vogue - Wall Hung W.C. Pan

This pan can be flushed using 6/4ltr or 4/2.6ltr cisterns

Product	Code Number
W.C. Pan	S7003858
Support bracket	S7004037
Soft Close Seat	S7003851

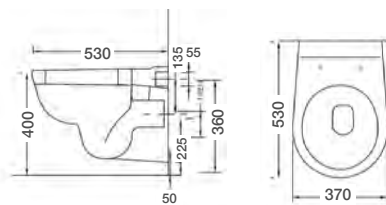


For push button dual flush concealed eco cistern option use Miniflo

Modern - Wall Hung W.C. Pan

This pan can be flushed using 6/3ltr flush.

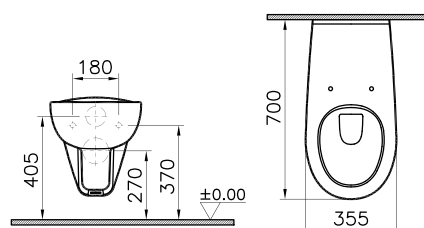
Product	Code Number
W.C. Pan	S7004006
Support Brackets	S7004037



Embrace - Wall Hung W.C. Pan

Wall hung pan with extended depth to facilitate wheelchair transfer, 6/3ltr flush.

Product	Code Number
W.C. Pan	P6820608
Support Brackets	S7004037
Seat and Cover	P6820609

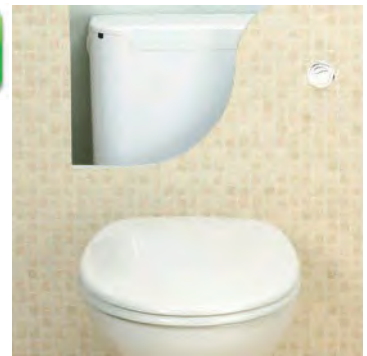
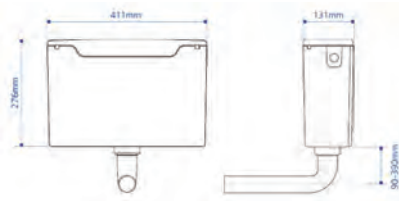


Miniflo

Dual flush concealed cistern 6/4ltr & 4/3ltr.



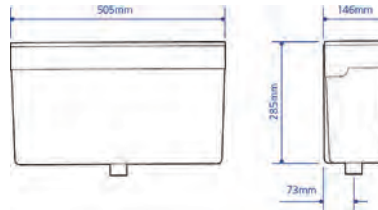
- Compatible with furniture, tiles, partitioning & walls.
- Smooth pneumatic operation.
- Can be positioned up to 750mm from the cistern.
- Deliver full and reduced flushing.



Product	Code Number
Push button cistern side supply	S2163505
Push button cistern bottom supply	S2163506

Mirage Concealed Cistern

Delivers water-saving reduced flush when lever is held down and full flush when lever is depressed and released.



- Lever Kit P (for partition/wall/duct thicknesses of 12-65mm).
- Lever Kit W (for partition/wall/duct thicknesses of 12-145mm).
- Lever Kit A (for partition/wall/duct thicknesses of 12-245mm).



Product	Code Number	Product	Code Number
Cistern with 'P' lever kit	S2156501	Cistern with 'A' lever kit	S2156521
Cistern with 'W' lever kit	S2156511	'A' lever kit only	S2156551

Wall Hung Pan Frame System

Duofix frame cistern and plate for wall hung W.C. pans. Plate can be front or top mounted. Designed to support wall hung sanitaryware without the need for supporting walls. All maintenance is carried out through the flush plate with all internal components accessible. All frames come with integrated front operated concealed cistern for single or dual flush and W.C. connector set.

Product	Code Number
0.82m W.C. Frame & Cistern	S6100901
Dual Flush Plate in Chrome	S6100041

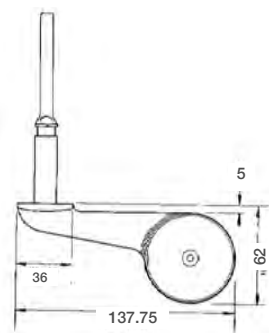
Product	Code Number
Wall Hung Pan Brackets	S7004037
Flexible Hose	S6100036



Optional Extras Spatulate Lever

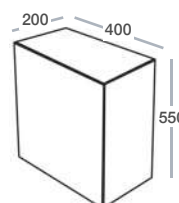
There is nothing more painful or embarrassing to many people than to be unable to flush the toilet, due to weak hands or painful joints. Our spatulate cistern flush lever requires approximately 25% of the effort usually required by a standard lever. Concealed cistern lever adjusts to suit wall thickness 32mm - 300mm.

Product	Code Number
Spatulate Lever - Standard	P6830810
Spatulate Lever - Concealed	P6830821



Laminate Face Compensator Box Unit

Compensator box for extending the projection of a W.C.



Product	Code Number
Compensator Box	S2000230





Shower Toilets

The shower toilet system is perfect for those who wish to maintain independence and privacy in the bathroom. The shower toilet combines all the functions of a conventional W.C. and bidet with the comfort of warm-air drying.



Water possesses qualities which have a noticeable effect on our well-being: it refreshes, revitalises and cleanses. You will not just be captivated by the water alone but also by the sophisticated spray principle, combined with specific individual functions.

Discover a new kind of personal hygiene that is gentle, natural, and good for you.

Imagine you are fitting the bathroom of your dreams, what would you like? More relaxation, more comfort, more design?

AquaClean Mera Care - Floor mounted

The AquaClean Mera Care is a shower toilet which blends perfectly into all bathroom environments, with its sleek design. The WhirlSpray power technology allows for a thorough clean, whilst being incredibly gentle with a supply of warm water.



AquaClean Mera Care

- Orientation light in a range of colours
- Touchless automatic mechanism for the WC lid
- WC seat heating
- Odour extraction
- WhirlSpray shower technology with five adjustable shower pressure settings
- Gentle cleaning lady wash
- Warm air dryer with adjustable temperature
- Rimless ceramic pan with TurboFlush technology
- Handy and clearly laid-out remote control
- Monolith frame
- Barrier free mode
- Simple to use remote control with four functions
- Continuous 1 minute warm wash - duration can be altered if necessary
- Pre flush
- Automatic de-scale
- Toilet seat lid available as an extra

Product	Code Number
AquaClean Mera Care	P1400021



Mera Care Remote

Manual flushing can be activated by pushing the new flush button on the remote for a full flush



Mera Care Wall Panel

Touchless wall control panel – easy to activate panel with only one sensor button to start the shower program including flush



Mera Care Whirlspray

Five adjustable shower pressure settings Adjustable spray arm – the position of the spray arm and the intensity of the pulsating shower spray can be personalised



Cleaner and more hygienic

Take advantage of the gentle flow of air provided by the integrated warm air dryer. Powerful built-in odour extraction technology removes unpleasant smells



AquaClean Mera - Wall mounted

AquaClean is a toilet which has elegantly been designed with a host of convenient features as standard. Promoting a unique sense of wellbeing that will benefit every age group this choice is great for a family bathroom where there will be multiple different kinds of users.



Product		Code Number
AquaClean Mera	White Apine	P1400036
AquaClean Mera	Gloss Chrome	P1400037



Perfect cleanliness

The oscillating spray gives you an extraordinary feeling of cleanliness. With this function, the water spray moves back and forth in a regular motion, guaranteeing a particularly thorough clean.



Invigorating massage

The massage spray ensures a beneficial relaxing experience. The pulsating water spray feels pleasant and produces a stimulating effect.



Pleasant freshness

The odour extraction function has a beneficial effect for all the senses. It starts automatically as soon as someone sits down on the toilet. This prevents any unpleasant odours from circulating around the room.



Remote control

Using the remote control, you can set up your own personal pampering programme in no time – and activate it again at any time at the touch of a button. Up to four people can save their preferred programme on the remote control.

Duofix Frame - For wall hung W.C.

Designed to support wall hung sanitaryware without the need for supporting walls. All maintenance is carried out through the flush plate with all internal components accessible. All frames come with integrated front operated concealed cistern for single or dual flush and W.C. connector set.



Product	Code Number
Wall Hung Frame 1.12m	S6100005
*Wall Hung Frame 0.82m	S6100901

Product	Code Number
*Flexible Hose	S6100036

* Flexible hose must be ordered separately

Dual Flush Plates



Artline



Sigma



Kappa

Product	Frame Size	Code Number
Artline - Chrome Matt	0.82	S6100012
Kappa - Chrome Gloss	0.98	S6100041
Sigma - Chrome Gloss	1.12	S6100050
Sigma - Chrome Matt	1.12	S6100051

Bio Bidet

Bio Bidet shower seat control panel is ergonomically and intelligently designed for easy and efficient operation. The slim design easily matches your bathroom environment and all offered functions can be easily controlled at your finger tips. Highly visible LED's and each function symbolized for easy identification even by first time users. Quiet and smooth running built-in motor lets users control the water stream at their desired temperature and pressure. Also a main 'remote control' version that can easily be operated by the user or carer.

Product		Code Number
Bio Bidet	Seat Mounted	P1400041
Bio Bidet with remote control	Seat Mounted	P1400040





Toilet Seats

N&C Phlexicare offer a wide selection of toilet seats, either with or without covers to suit our range of W.C. suites. Some of the special features incorporated in our range include, retaining buffers, which are located within the rim of a W.C. pan to stop sideways movement during wheelchair transfer, strong stainless steel cross bar hinges for durability, antibacterial coatings to aid hygiene and soft close action for smooth seamless closing of the seat and cover.



Designed for easy clean



Strong stainless steel cross bar hinge



Retaining buffer prevent lateral movement



Soft close action

SafeFlush

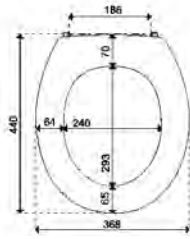
Every time your toilet is flushed, whether the seat and lid are up or down, a fine mist containing micro-organisms is spread throughout the bathroom.



The double seal on the SafeFlush seat creates a seal between the lid and seat as well as the base of the seat and the bowl, helping to ensure that germs and bacteria are kept where they belong.

Advanced - Toilet seats

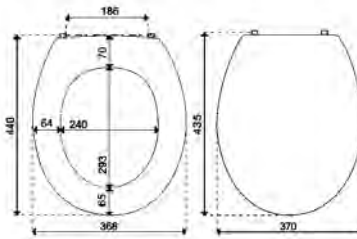
Stainless steel hinge & retaining buffers.



Product	Colour	Code Number
Toilet Seat	White	P6833802
Toilet Seat	Blue	P6833803

Advanced - Toilet seat with cover

Stainless steel hinge & retaining buffers.

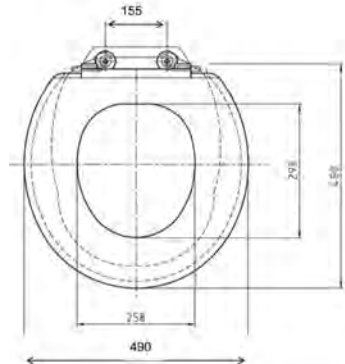


Product	Colour	Code Number
Toilet Seat with Cover	White	P6833804
Toilet Seat with Cover	Blue	P6833805

Big John - Toilet seat and cover

The Big John toilet seat has the largest most comfortable, luxuriously contoured sitting surface and the largest opening.

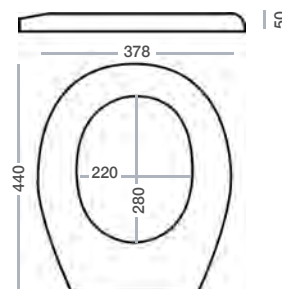
- Ultra-wide and contoured 19" / 48cm
- 75% more seating area than a regular seat
- 2" higher than a regular toilet seat
- Strong stainless steel hinges
- Engineered to fit to most W.C. bowls
- Extra large stabilising bumpers
- Tested to withstand 380kg / 60 stone



Product	Colour	Code Number
Big John	White	P1400045

Ultimate - Seat and cover with retaining buffers

- Soft close action
- Retaining buffers
- Strong and durable construction
- Colour contrast to lid raising handle
- Colour contrast to hinge hand grip

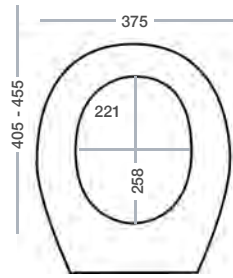


Product	Colour	Code Number
Soft Close Seat & Cover	White	P6833812

Olympus - Toilet seat and cover

- Stainless steel top fixing hinge
- Generic design to suit most W.C. pans
- Heavy duty seat and cover
- Four way adjustable hinge
- 240kg (38st) weight limit

Product	Colour	Code Number
Toilet Seat & Cover	White	S2182707

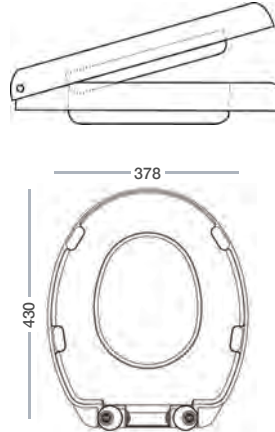


SafeFlush - Toilet seat and cover

White soft close seat and cover SafeFlush.

This unique Phlexicare toilet seat inhibits the spread of germs and bacteria by sealing them into the toilet bowl. The SafeFlush toilet seat is a revolution in the fight against the spread of bacteria in the bathroom area with its innovative double seal - one on the inside of the lid and the other on the base of the seat itself.

Product	Colour	Code Number
Soft Close Seat & Cover	White	P6833810



Raised Height Bolt on Toilet Seats

- Ergonomically designed for comfort
- 190kg (30 stone) weight limit
- Coloured handwheels to assist the partially sighted
- Smooth aperture interior to reduce waste build up
- Large aperture and front cutaway
- Available in 50mm high

Product	Colour	Code Number
Seat 50mm High	White	P6828722
Seat 100mm High	White	P6828724



Raised Height Bolt on Toilet Seats

- Ergonomically designed for comfort
- 190kg (30 stone) weight limit
- Coloured handwheels to assist the partially sighted
- Smooth aperture interior to reduce waste build up
- Large aperture and front cutaway
- Available in 100mm high

Product	Colour	Code Number
Seat & Cover 50mm High	White	P6828723
Seat & Cover 100mm High	White	P6828726





Wash Basins

Wall and Pedestal Mounted

N&C Phlexicare wash basins are manufactured to a high quality and tested rigorously prior to their availability in the market. We offer a variety of wash basins to suit users needs, such as our wall fixed models to allow ease of access for wheelchair users or an easy to use, moveable swing basin. The majority of our washbasins, with bolt fixings, can also be mounted on adjustable height basin assemblies for multi user environments. We offer a range of pedestal and semi-pedestal mounted basins in our range with basins starting from 400mm up to 760mm wide to suit the space available within the bathroom or washroom.



Modern designs with wheelchair accessible basins and easily operated taps and mixers



Wall mounted
for ease of access



Height adjustable for
multi-users

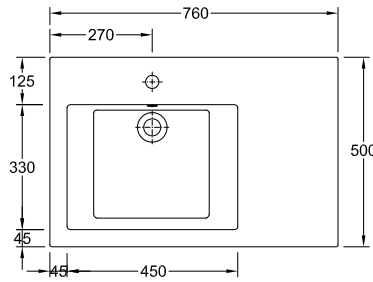
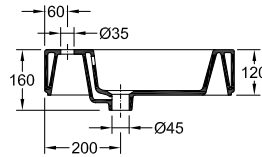


Pedestal mounted



Semi-pedestal mounted

Solo Edge - Wall Mounted
760 x 500mm Square Wash Basin

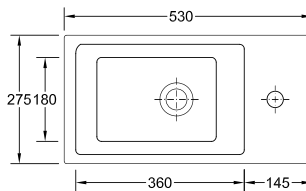
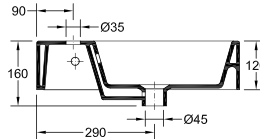


Left hand illustrated

Product	Code Number
Left Hand One Taphole	S7006086
Right Hand One Taphole	S7006085

Optional Extra	Code Number
Wall Fixing Bolts	S7004033

Solo Edge Cloakroom - Wall Mounted
530 x 270mm Wash Basin

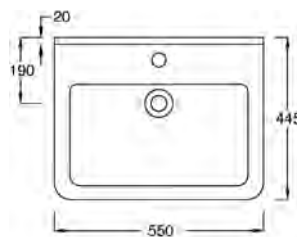
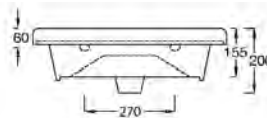


Left hand illustrated

Product	Code Number
Left Hand One Taphole	S7006087
Right Hand One Taphole	S7006088

Optional Extra	Code Number
Wall Fixing Bolts	S7004033

Vogue Square - Wall Mounted
550mm Wash Basin

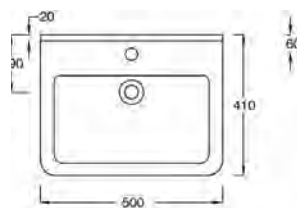
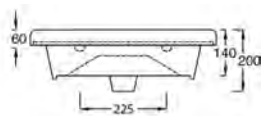


Can be mounted on adjustable height assemblies, use P6810645 bolts.

Product	Code Number
550 One Taphole	S7003836

Optional Extra	Code Number
Wall Fixing Bolts	S7004033

Vogue Square - Wall Mounted
500mm Wash Basin



Can be mounted on adjustable height assemblies, use P6810645 bolts.

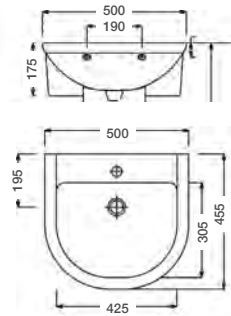
Product	Code Number
500 One Taphole	S7003837

Optional Extra	Code Number
Wall Fixing Bolts	S7004033

Vogue - Wall Mounted 500mm Wash Basin

Product	Code Number
500 One Taphole	S7003842

Optional Extra	Code Number
Wall Fixing Bolts	S7004033

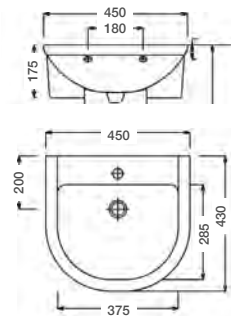


Can be mounted on adjustable height assemblies, use P6810645 bolts.

Vogue - Wall Mounted 450mm Wash Basin

Product	Code Number
500 One Taphole	S7003841

Optional Extra	Code Number
Wall Fixing Bolts	S7004033

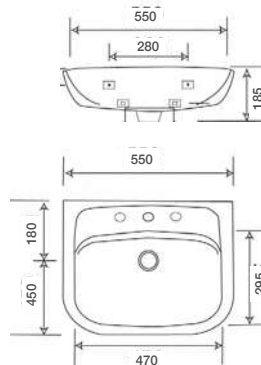


Can be mounted on adjustable height assemblies, use P6810645

Modern - Wall Mounted 550mm Wash Basin

Product	Code Number
550 One Taphole with Overflow	P7004016
550 Two Taphole with Overflow	P7004017

Optional Extra	Code Number
Wall Fixing Bolts	S7004033
Comb. Hanger & Waste Bracket	S7004036

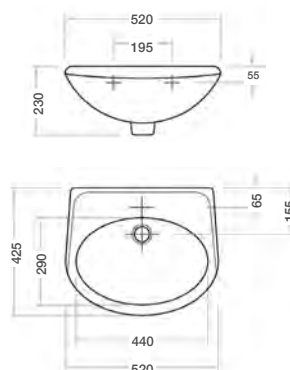


Can be mounted on adjustable height assemblies, use P6810645 bolts.

Modern - Wall Mounted 520mm Wash Basin

Product	Code Number
520 One Taphole with Overflow	S7004020
520 Two Taphole with Overflow	S7004021

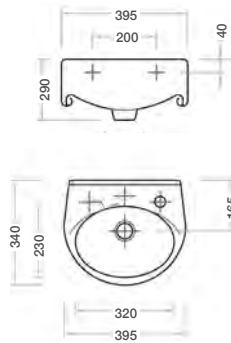
Optional Extra	Code Number
Wall fixing bolts	S7004033
Comb. Hanger & Waste Bracket	S7004036



Can be mounted on adjustable height assemblies, use P6810645 bolts.

Modern - Wall Mounted 400mm Wash Basin

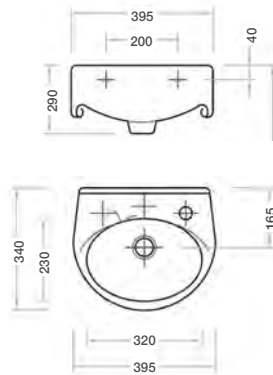
Product	Code Number
400 One Taphole with Overflow	S7004019
400 Two Taphole with Overflow	S7004018
Optional Extra	Code Number
Wall Fixing Bolts	S7004033
Pair Hanger Brackets	S7004034
Waste Support Bracket Only	P7004013



Can be mounted on adjustable height assemblies, use P6810645 bolts.

Modern - Wall Mounted 400mm Wash Basin

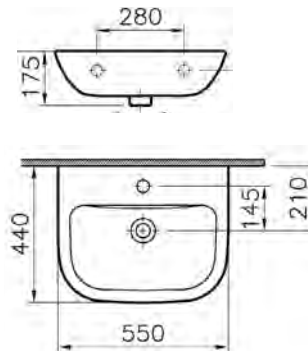
Product	Code Number
400 One Taphole without Overflow	P7004008
400 Two Taphole without Overflow	P7004009
Optional Extra	Code Number
Wall Fixing Bolts	S7004033
Pair Hanger Brackets	S7004034
Waste Support Bracket Only	P7004013



Can be mounted on adjustable height assemblies, use P6810645 bolts.

Embrace - Wall Mounted 550mm Wash Basin

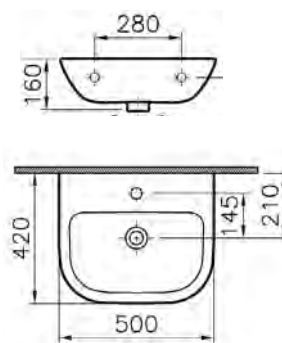
Product	Code Number
550 One Taphole	S7005904
550 Two Taphole	S7005905
Optional Extra	Code Number
Wall Fixing Bolts	S7004033



Can be mounted on adjustable height assemblies, use P6810645 bolts.

Embrace - Wall Mounted 500mm Wash Basin

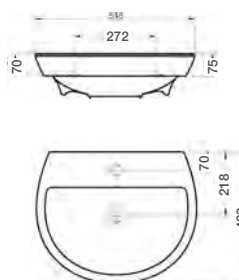
Product	Code Number
500 One Taphole	S7005902
500 Two Taphole	S7005903
Optional Extra	Code Number
Wall Fixing Bolts	S7004033



Can be mounted on adjustable height assemblies, use P6810645 bolts.

Eclipse - Wall Mounted 550mm Wash Basin

Product	Code Number
550 One Taphole	S7005882
550 Two Taphole	S7005883
Optional Extra	Code Number
Wall Fixing Bolts	S7004033

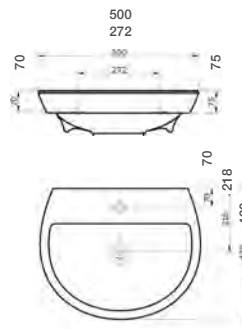


Can be mounted on adjustable height assemblies, use P6810645 bolts.

Eclipse - Wall Mounted 500mm Wash Basin

Product	Code Number
500 One Taphole	S7005880
500 Two Taphole	S7005881

Optional Extra	Code Number
Wall Fixing Bolts	S7004033

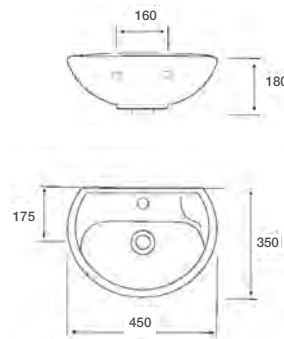


Can be mounted on adjustable height assemblies, use P6810645 bolts.

Broadgate - Wall Mounted 450mm Wash Basin

Product	Code Number
450 One Taphole with Overflow	S7006018
450 Two Taphole with Overflow	S7006017

Optional Extra	Code Number
Pair Hanger Brackets	S7004035
Waste Support Bracket Only	P7004013

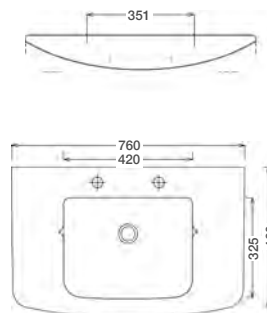


Can be mounted on adjustable height assemblies, use P6810645 bolts.

Pentland Beaumonde Wall Mounted 760mm Wash Basin

Product	Code Number
760 Two Taphole with Overflow	P6810101

Optional Extra	Code Number
Fixed Height Wall Brackets	S2063011

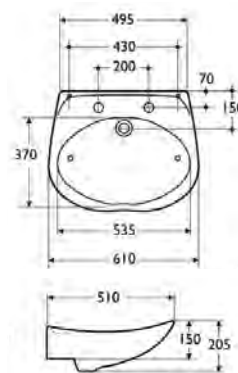


Can be mounted on adjustable height assemblies, use P6810645 bolts.

Salonex Shampoo Basin - Wall Mounted 610mm Wash Basin

Product	Code Number
610 Two Taphole, no Overflow.	S2105001

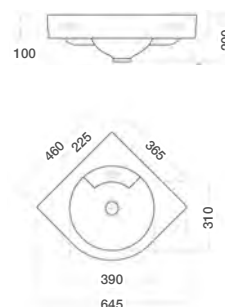
Optional Extra	Code Number
Fixed Height Wall Brackets	S2105031
Shampoo Mixer Tap with Hose & Handset	S2105011
Strainer Waste (with lift out grid)	S2105021
Connecting brackets for rise and fall	P6811322



Modern - Wall Mounted 460mm Corner Wash Basin

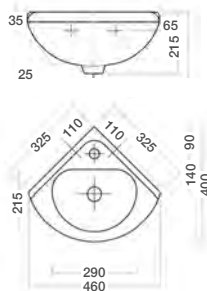
Product	Code Number
460 One Taphole with Overflow	S7004030
460 Two Taphole with Overflow	S7004031

Optional Extra	Code Number
Wall Fixing Bolts	S7004033
Pair Hanger Brackets (2 required)	S7004035



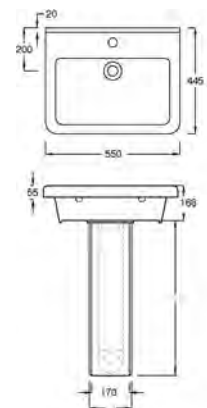
Modern - Wall Mounted 320mm Corner Wash Basin

Product	Code Number
320 Corner Basin, One Taphole	S7004015
Optional Extra	Code Number
Pair of Hanger Brackets	S7004035



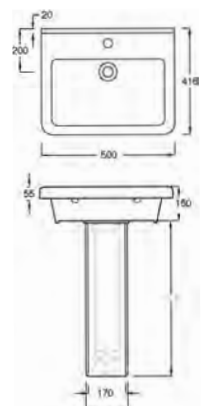
Vogue Square - Pedestal Mounted 550mm Wash Basin

Product	Code Number
550 One Taphole	S7003836
Pedestal	S7003840
Optional Extra	Code Number
Wall Fixing Bolts	S7004033



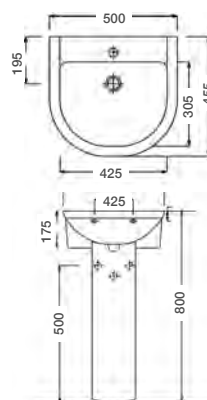
Vogue Square - Pedestal Mounted 500mm Wash Basin

Product	Code Number
500 One Taphole	S7003837
Pedestal	S7003840
Optional Extra	Code Number
Wall Fixing Bolts	S7004033



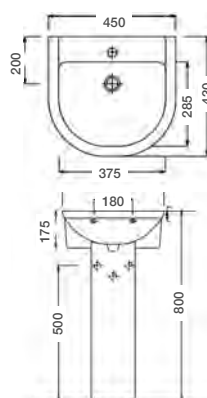
Vogue - Pedestal Mounted 500mm Wash Basin

Product	Code Number
500 One Taphole	S7003842
Pedestal	S7003846
Optional Extra	Code Number
Wall Fixing Bolts	S7004033



Vogue - Pedestal Mounted 450mm Wash Basin

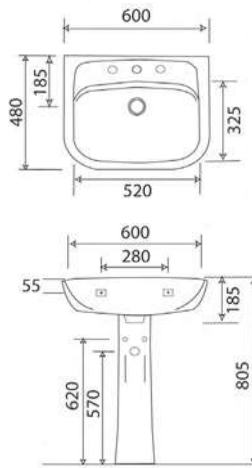
Product	Code Number
450 One Taphole	S7003841
Pedestal	S7003846
Optional Extra	Code Number
Wall Fixing Bolts	S7004033



Modern - Pedestal Mounted
600mm Wash Basin

Product	Code Number
600 One Taphole with Overflow	P7004005
600 Two Taphole with Overflow	P7004006
Pedestal	S7004011

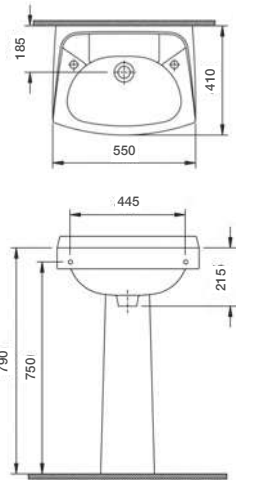
Optional Extra	Code Number
Wall Fixing Bolts	S7004033



B.S.S. - Pedestal Mounted
560mm Wash Basin

Product	Code Number
560 Two Taphole with Overflow	S7006015
Pedestal	S7006016

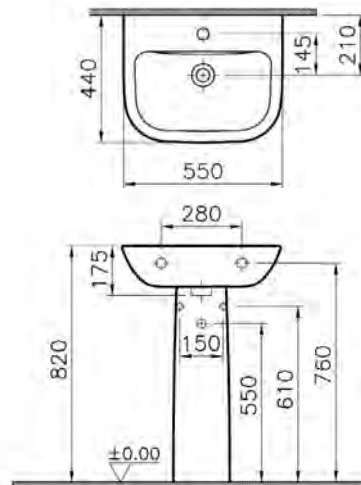
Optional Extra	Code Number
Towel Rail Brackets (for wall fixing)	S2063002



Embrace - Pedestal Mounted
550mm Wash Basin

Product	Code Number
550 One Taphole	S7005904
550 Two Taphole	S7005905
Pedestal	S7005910

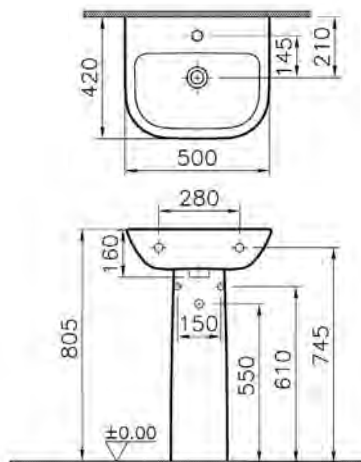
Optional Extra	Code Number
Wall Fixing Bolts	S7004033



Embrace - Pedestal Mounted
500mm Wash Basin

Product	Code Number
500 One Taphole	S7005902
500 Two Taphole	S7005903
Pedestal	S7005910

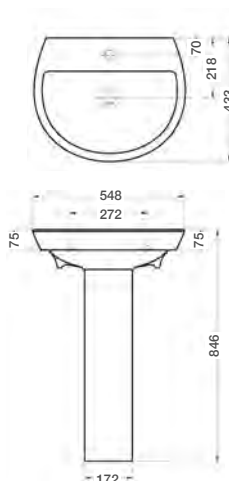
Optional Extra	Code Number
Wall Fixing Bolts	S7004033



Eclipse - Pedestal Mounted 550mm Wash Basin

Product	Code Number
550 One Taphole	S7005882
550 Two Taphole	S7005883
Pedestal	S7005886

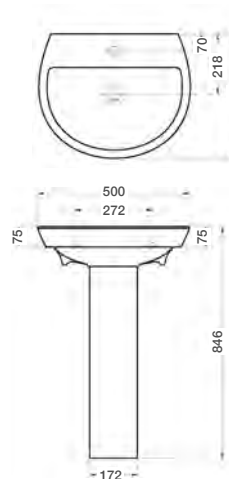
Optional Extra	Code Number
Wall Fixing Bolts	S7004033



Eclipse - Pedestal Mounted 500mm Wash Basin

Product	Code Number
500 One Taphole	S7005880
500 Two Taphole	S7005881
Pedestal	S7005886

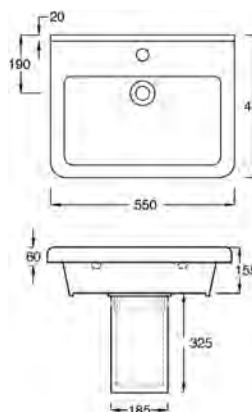
Optional Extra	Code Number
Wall Fixing Bolts	S7004033



Vogue Square - Semi Pedestal Mounted 550mm Wash Basin

Product	Code Number
550 One Taphole	S7003836
Semi Pedestal	S7003838

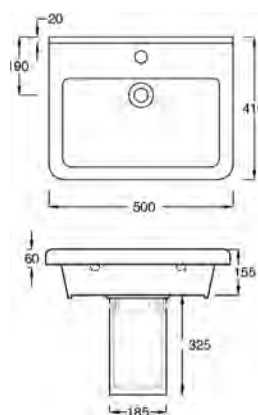
Optional Extra	Code Number
Wall Fixing Bolts	S7004033



Vogue Square - Semi Pedestal Mounted 500mm Wash Basin

Product	Code Number
500 One Taphole	S7003837
Semi Pedestal	S7003839

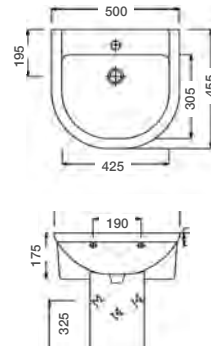
Optional Extra	Code Number
Wall Fixing Bolts	S7004033



Vogue - Semi Pedestal Mounted 500mm Wash Basin

Product	Code Number
500 One Taphole	S7003842
Semi Pedestal	S7003844

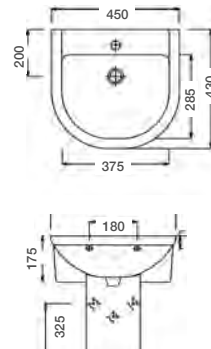
Optional Extra	Code Number
Wall Fixing Bolts	S7004033



Vogue - Semi Pedestal Mounted 450mm Wash Basin

Product	Code Number
450 One Taphole	S7003841
Semi Pedestal	S7003844

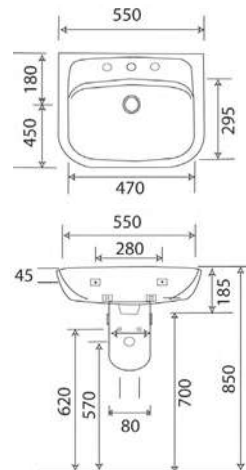
Optional Extra	Code Number
Wall Fixing Bolts	S7004033



Modern - Semi Pedestal Mounted 550mm Wash Basin

Product	Code Number
550 One Taphole with Overflow	P7004016
550 Two Taphole with Overflow	P7004017
Semi Pedestal	P7004007

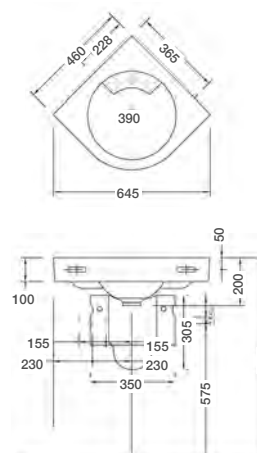
Optional Extra	Code Number
Wall Fixing Bolts	S7004033
Hanger & Waste Bracket	S7004036



Modern - Semi Pedestal Corner Mounted 460mm Wash Basin

Product	Code Number
460 One Taphole with Overflow	S7004030
460 Two Taphole with Overflow	S7004031
Semi Pedestal	S7004014

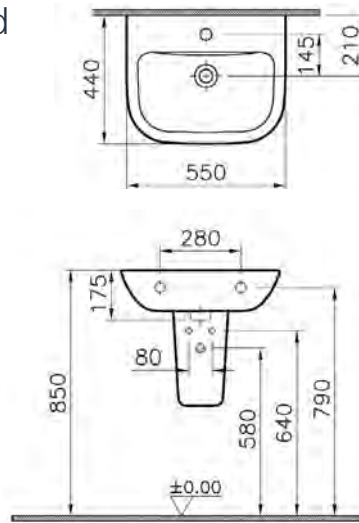
Optional Extra	Code Number
Wall Fixing Bolts	S7004033
Hanger Bracket (2 required)	S7004035



Embrace - Semi Pedestal Mounted 550mm Wash Basin

Product	Code Number
550 One Taphole	S7005904
550 Two Taphole	S7005905
Semi Pedestal	S7005909

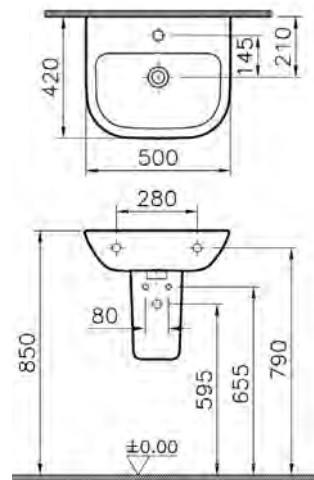
Optional Extra	Code Number
Wall Fixing Bolts	S7004033



Embrace - Semi Pedestal Mounted 500mm Wash Basin

Product	Code Number
500 One Taphole	S7005902
500 Two Taphole	S7005903
Semi Pedestal	S7005908

Optional Extra	Code Number
Wall Fixing Bolts	S7004033



Eclipse - Semi Pedestal Mounted 550mm Wash Basin

Product	Code Number
550 One Taphole	S7005882
550 Two Taphole	S7005883
Semi Pedestal	S7005887

Optional Extra	Code Number
Wall Fixing Bolts	S7004033



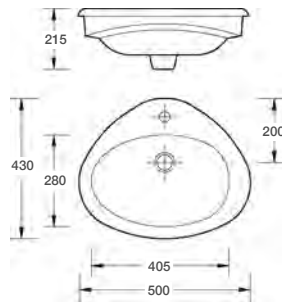
Eclipse - Semi Pedestal Mounted 500mm Wash Basin

Product	Code Number
500 One Taphole	S7005880
500 Two Taphole	S7005881
Semi Pedestal	S7005887

Optional Extra	Code Number
Wall Fixing Bolts	S7004033

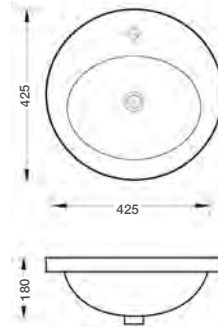


Modern - Inset
500mm Wash Basin



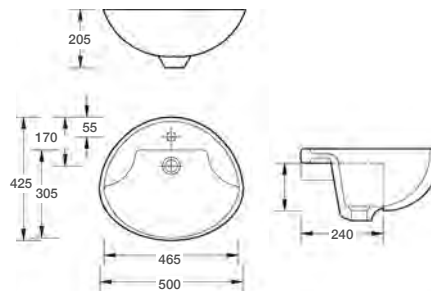
Product	Code Number
500 One Taphole with Overflow	S7004152
500 Two Taphole with Overflow	S7004153

Embrace - Inset
425mm Wash Basin



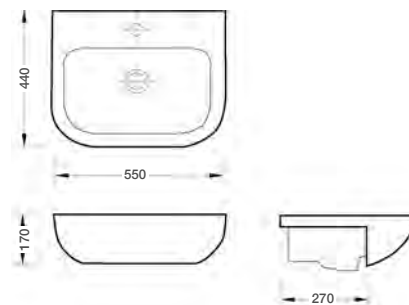
Product	Code Number
425 One Taphole with Overflow	S7005911

Modern - Semi Countertop
500mm Wash Basin



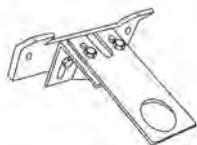
Product	Code Number
500 One Taphole with Overflow	S7004154
500 Two Taphole with Overflow	S7004155

Embrace - Semi Countertop
550mm Wash Basin



Product	Code Number
550 One Taphole with Overflow	S7005906
550 Two Taphole with Overflow	S7005907

Combined Hanger and
Waste Bracket



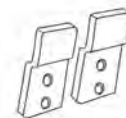
Product	Code Number
Hanger & Waste Bracket	S7004036

Waste Bracket



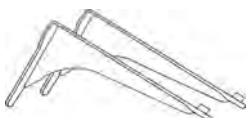
Product	Code Number
Waste Bracket	P7004013

Hanger Bracket



Product	Code Number
Pair of Hanger Brackets	S7004035

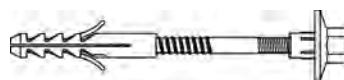
L Shaped Brackets



Product	Code Number
L Shaped Brackets (Pair)	S2063011

Basin Fixing Bolt Set

All N&C basins can be bolted directly to a solid wall



Product	Code Number
Basin Fixing Bolt Set x2	S7004033

Fixing Bolts

Use to mount a wash basin to one of our height adjustable assemblies.



Product	Code Number
Fixing Bolts x2	P6810645



Taps & Mixers

Taps and mixers are the vital components which allow delivery of water to be achieved in all bathrooms. The operation of the taps and mixers within a healthcare or elderly person's bathroom or kitchen determine the ease of use, and therefore suitability of the fittings installed.

We are able to offer a huge selection of styles, designs and operational options to suit all abilities. We can provide traditional lever taps with 75mm or 125mm operating handles to aid and assist in functionality, as well as easy to operate more modern and design conscious products which lift the look of any bathroom.

Safe delivery of hot water to the bathroom is also an emotive subject, in the healthcare environment even more so, as vulnerable people must be assured that anti scald measures are built in to the taps and mixers installed. We can offer thermostatic temperature limited taps and mixers which meet the strict requirements of the TMV3 and TMV2 schemes, for safe, controlled hot water delivery to a bathroom environment.

We also provide in-line mixing valves which achieve these same exacting standards, and allow the specifier to select any taps and mixers from our collection with the knowledge that using a thermostatic in-line mixing valve will control the hot water delivery to your fitting of choice.



Ceramic Disc
Lever Operation



Sensor Operated



Innovative Designs



Click Cartridge
Aids Water Conservation

Simplicity Range

- 75mm levers
- Minimum pressure - 0.2 Bar
- Finish - Chrome
- Operation - Quarter turn ceramic disc



Sink Pillar Taps



Basin Monobloc Mixer



Basin Taps



Bath Taps



Bath Filler 0.5 bar



Bath/Shower Mixer 0.5 bar



Sink Deck Mixer



Mono Sink Mixer

Product	Code Number
Basin Taps	P6349101
Bath Taps	P6349102
Sink Pillar Taps	P6349103
Basin Monobloc Mixer	P6349107
Bath/Shower Mixer	P6349105
Sink Deck Mixer	P6349104
Bath Filler	P6349106
Mono Sink Mixer	P6349109

Simplicity Conversion Kit

- 75mm levers conversion kit for sink or basin taps.
- Allows simple conversion of a standard tap to lever operation
- Minimum pressure - 0.2 Bar
- Finish - Chrome
- Operation - Quarter turn ceramic disc



Product	Code Number
Conversion Kit x2	P6349125

Victorian Range

- Traditional cross head design, easy grip handles
- Minimum pressure - 0.2 Bar
- Finish - Chrome
- Quarter turn ceramic disc operation



Basin Taps



Bath Taps



Basin Monobloc Mixer



Bidet Monobloc Mixer



Mono Sink Mixer 0.3 Bar

Product	Code Number
Basin Taps	S7007349
Bath Taps	S7007347
Mono Sink Mixer	S7007381
Basin Monobloc Mixer	S7007348
Bath/Shower Mixer	S7007346
Bath Filler	S7007382
Bidet Monobloc Mixer	S7007350



Bath/Shower Mixer



Bath Filler

Palma Range

- Traditional wheel head design
- Minimum pressure - 0.2 Bar
- Finish - Chrome
- Quarter turn ceramic disc operation



Basin Taps



Bath Taps



Sink Pillar Taps



Basin Monobloc Mixer



Bidet Monobloc Mixer



Sink Monobloc Mixer 0.3 Bar

Product	Code Number
Basin Taps	S7007324
Bath Taps	S7007322
Sink Pillar Taps	S7007328
Basin Monobloc Mixer	S7007323
Sink Monobloc Mixer	S7007327
Bath Deck Mixer	S7007321
Sink Deck Mixer	S7007326
Bath/Shower Mixer	S7007320
Bidet Monobloc Mixer	S7007325



Bath/Shower Mixer 0.5 Bar



Bath Deck Mixer 0.5 Bar



Sink Deck Mixer

Trend Range

- Contemporary cross head design
- Easy grip handles
- Minimum pressure - 0.2 Bar
- Finish - Chrome
- Quarter turn ceramic disc operation



Basin Taps



Bath Taps



Basin Monobloc Mixer



Bath/Shower Mixer



3 Hole Bath Mixer



Bath Mixer

Product	Code Number
Basin Taps	S7007030
Bath Taps	S7007031
Basin Monobloc Mixer	S7007032
Bath Mixer	S7007034
Bath/Shower Mixer	S7007033
3 Hole Basin Mixer	S7007044

Quinto Ecoflow Range



- Single lever control. Flow reducing cartridge for water economy
- Minimum pressure - 0.5 Bar
- Finish - Chrome
- Operation - Quarter turn ceramic disc



Bath/Shower Mixer



Basin Monobloc Mixer



Sink Monobloc Mixer

Product	Code Number
Basin Monobloc Mixer	S7007344
Sink Monobloc Mixer	S7007345
Bath/Shower Mixer	S7007343

Nova Cube Range

- Ultra modern design, square lever handle
- Easy, smooth control system
- Min pressure- 0.2 Bar
- Finish- Chrome
- Operation - Quarter turn ceramic disc



Bath Mixer
0.5 Bar



Bath /Shower Mixer
0.5 Bar



Basin Mixer
Clicker Waste



Mini Basin Mixer Clicker
Waste - 0.5 Bar



Waterfall Basin Monobloc
Mixer Clicker Waste

Product	Code Number
Basin Monobloc Mixer clicker waste	S7007220
Mini Basin Monobloc Mixer Clicker waste	S7007222
Deck Bath Filler	S7007225
Bath /Shower Mixer	S7007226
Waterfall Basin Monobloc Mixer	S7007218

Duo Click Range



- Single loop lever control
- Click cartridge system for water economy
- Minimum pressure - 0.5 Bar
- Finish - Chrome
- Operation - Quarter turn ceramic disc



Sink Monobloc Mixer



Bath/Shower Mixer



Bidet Monobloc Mixer



Basin Monobloc Mixer

Product	Code Number
Basin Monobloc Mixer	S7007340
Sink Monobloc Mixer	S7007342
Bath/Shower Mixer	S7007339
Bidet Monobloc Mixer	S7007341

Balance Range

- Modern design, lever handle
- Easy, smooth bodied
- Min pressure- 0.2 Bar
- Finish- Chrome
- Ceramic Cartridge



Mono Basin Mixer
Click Clac Waste



Mono Basin Mixer
No Waste



Bidet Mixer
Pop up wide



Wall Mounted Bath Shower Mixer
1.5 Bar



Deck Mounted Bath Shower Mixer
1.5 Bar



Mono Sink Mixer
0.5 Bar

Product	Code Number
Basin Monobloc Mixer Click clac Waste	S7007237
Basin Monobloc Mixer. No waste	S7007238
Bidet Mixer	S7007239
Wall Mounted Bath / Shower Mixer	S7007240
Wall Mounted Bath / Shower Mixer + Kit	S7007241
Deck Mounted Bath / Shower Mixer	S7007242
Deck Mounted Bath / Shower Mixer + Kit	S7007243
Mono Sink Mixer	S7007244

Quadro Delux Range

- Single lever control
- Water flow aerator
- Minimum pressure - 0.2 Bar
- Finish - Chrome
- Operation - Ceramic cartridge



Mini Basin Mixer
Click Clac Waste
0.5 Bar



Mono Basin Mixer
Click Clac Waste



Monobloc Basin Mixer
Click Clac Waste

Product	Code Number
Deck Mounted Bath/Shower Mixer + Kit	S7007334
Monobloc Basin Mixer + Click Clac Waste	S7007335
Mono Basin Mixer with Click Clac Waste	S7007336
Mini Basin Mixer + Click Clac Waste	S7007383
Deck Mounted Bath Filler	S7007384



Deck Mounted Bath Filler
0.3 Bar



Deck Mounted Bath/Shower
Mixer with Kit - 0.3 Bar

Stream Range

- 70mm lever handle
- Easy, smooth control system
- Min pressure- 0.5 Bar
- Finish- Chrome
- Operation - Quarter turn ceramic disc



Basin Monobloc Mixer



Bath/Shower Mixer

Product	Code Number
Basin Monobloc Mixer	S7007248
Bath/Shower Mixer + Kit with legs for bath mounting	S7007247

Phlexitherm Long Lever Range

- Thermostatically controlled basin mixers, which are TMV3 scheme approved for safe delivery of hot water
- Temperature set to 43° maximum in accordance with NHS Estates Guidelines and BS1415 part II
- Minimum pressure - 0.2 Bar
- Finish - Chrome
- Operation - Thermostatic



Product	Code Number
Basin Monobloc Mixer	P6840905

Excel Radatherm Range

- Thermostatically controlled bath, basin and shower mixers, which are TMV3 scheme approved for safe delivery of hot water
- Temperature set to 43° maximum in accordance with NHS Estates guidelines and BS1415 part II
- Minimum pressure - 0.2 Bar
- Finish - Chrome
- Operation - Thermostatic



For shower kits see pages 86 - 89

Product	Code Number
Basin Monobloc Mixer	P6819998
Bath/Shower Mixer	P6819999

Phlexitherm Quadro Sequential Thermostatic Basin Mixer Tap

- Simple operation
- Integral Thermostatic mixing valve
- Easy to grip
- TMV3 Approved
- WRAS Approved
- Copper inlet tails available



Product	Code Number
Basin Mixer Tap	P6840910

Palma Thermostatic Range

- Thermostatically controlled bath and shower mixers where 43° temperature limiter can be overridden
- These products have achieved TMV2 scheme approval
- Minimum pressure - 0.2 Bar
- Finish - Chrome
- Operation - Thermostatic



Product	Code Number
Shower Mixer	S7007369
Bath/Shower Mixer (with leg kit for bath mounting)	S7007368

For shower kits see pages 86 - 89

Spray Mixer Tap

- 75mm spray mixer tap
- Sequential temperature control through 125° arc
- Minimum pressure - 0.2 Bar
- Finish - Chrome
- Operation - Sequential lever



Product	Code Number
Monobloc Spray Mixer	P6840901

In-Line Mixing Valves

These thermostatic valves are ideal for limiting delivery of hot water to basin, bath and shower valves in accordance with TMV3 guidelines. This option means you can select a non thermostatic water delivery device and control the temperature of the hot water to avoid scalding

Product	Code Number
15mm	S7007364
22mm	S7007367
15mm (include service valves)	S7007363
22mm (include service valves)	S7007366



Quadro Thermostatic Range

- Thermostatically controlled bath and shower mixers where 43° temperature limiter can be overridden if required
- These products have achieved TMV2 scheme approval
- Minimum pressure - 0.2 Bar
- Finish - Chrome
- Operation - Thermostatic

Product	Code Number
Thermostatic Shower Mixer	S7007357
Bath/Shower Mixer (with leg kit for bath mounting)	S7007356



For shower kits see pages 86 - 89

Quadro Plus Thermostatic Long Lever

- Extra long handle
- Thermostatically controlled shower mixers where 43° temperature limiter can be overridden if required
- This product has achieved TMV2 scheme approval
- Minimum pressure - 0.2 Bar
- Finish - Chrome
- Operation - Thermostatic

Product	Code Number
Thermostatic Shower Mixer	S7007359
Bath/Shower Mixer	S7007388



For shower kits see pages 86 - 89

Quadro Cool Touch Thermostatic

- Safe to touch using cool touch technology
- Minimum pressure - 0.5 Bar
- Finish - Chrome
- This product has achieved TMV2 scheme approval
- Operation - Thermostatic

Product	Code Number
Cool Touch Thermostatic	S7007399
Bath/Shower Mixer	S7007387



For shower kits see pages 86 - 89

Timed Flow Taps

- Basin taps which will shut off after a pre-set time
- Minimum pressure - 0.5 Bar / 0.2 Bar
- Finish - Chrome
- Operation - Push button timed control

Product	Code Number
Basin Pillar Taps	S7007370
Monobloc Basin Mixer	S7007371



Basin Mixer
0.5 Bar

Basin Taps
0.2 Bar

Trueflow Non Concussive

- Self closing 7 seconds
- Anti blocking technology
- Water saving
- Flow rate adjustable on cartridge
- Finish - Chrome
- Certified to BS EN 816: 500,000 cycles



Product	Code Number
Non Concussive	S2331010

Soft Touch Non Concussive

- Self closing 7 seconds
- Water saving
- Flow rate adjustable on cartridge
- Finish - Chrome
- Certified to BS EN 816: 500,000 cycles



Product	Code Number
Non Concussive	S2331011

Touch Sensor Basin Mixer

- Time controlled self closing
- Battery powered
- Filter included
- Minimum pressure - 0.5 Bar
- Finish - Chrome
- Cold or pre mixed water



Product	Code Number
Touch Sensor	S7007404

Balance Sensor Basin Mixer

- Automatic basin mixer tap
- Sensor detects hands or movement and allows water flow
- Mains or battery operation
- Minimum pressure - 1.0 Bar
- Finish - Chrome
- Operation - Automatic timed flow



Product	Code Number
Basin Tap	S7007397

Sensor Basin Tap

- Automatic basin mixer tap
- Sensor detects hands or movement and allows water flow
- Mains operation (battery operation available)
- Minimum pressure - 1.0 Bar
- Finish - Chrome
- Operation - Automatic timed flow



Product	Code Number
Basin Tap	S7007374

Wall Mounted Sensor Basin Mixer

- Automatic basin mixer tap
- Sensor detects hands or movement and allows water flow
- Water saving
- Adjustable sensor field
- Minimum pressure - 0.5 Bar
- Finish - Chrome



Product	Code Number
Battery Operated	S7007402
Mains Operated	S7007403

Wall Mounted Thermostatic Sensor Basin Mixer

- HTM64 Safe to touch, surface temperature is maintained below 42°
- Battery or mains operated
- Minimum pressure - 0.2 Bar
- Finish - Chrome
- Compliance with NHS model engineering specification D08 is assured with TMV3 approval



Product	Code Number
Battery operated Basin Mixer	S7007400
Mains operated Basin Mixer	S7007401

Wall Mounted Thermostatic Basin Mixer

- HTM64 Safe to touch, surface temperature is maintained below 42°
- 180 degree rotational level
- Minimum pressure - 0.2 Bar
- Finish - Chrome
- Compliance with NHS model engineering specification D08 is assured with TMV3 approval



Product	Code Number
Lever Basin Mixer	S7007407

Long Lever Sink Mixer Tap

- 200mm extended lever control
- 230mm long swivel spout
- Minimum pressure - 0.2 Bar
- Finish - Chrome
- Operation - Quarter turn ceramic disc



Product	Code Number
Monobloc Sink Mixer	P6843502

Knee Operated Lever Mixing Valve

- Water saving
- Hygienic
- Minimum pressure - 0.1 Bar
- Finish - Chrome
- Anti-vandal



Product	Code Number
Exposed Knee Lever	S7007408
Concealed Knee Lever	S7007409



Aqua Magic...



Create your ultra modern, functional showering experience which replaces any size of existing bath tub and can be installed in a day

See pages 152 - 153 for further details

PRESSALIT®
care



Multi-user solution

Pressalit CareSystem Plus

Technical Information	210-211
Wall Track	212
Basin Brackets – Adjustable Height	213-214
Support Arms	215-216
450 Series Shower Chairs	216-217
310 Series Shower Chairs	218
Folding Seats	219
Modular Shelves	220

Pressalit CareCompletion

Toilet Seats	221-222
Shower Accessories	223-224
Shower Curtain and Track	224

Pressalit Care

Matrix	225-227
Select	228

Pressalit CareElements

Wall Mountings for Wash Basins	230
Support Arms	230-231
Folding Seats	232
Nursing Benches	233-235
Flexible Plumbing Kits	235

Hewi

System 815	236-239
------------	---------

Ropox

Shower Seats	240
Mississippi Swing Basin	241
Loire Rails	241
Vision Tables	242-247



Pressalit

CareSystem Plus - CareCompletion - CareElements

The Pressalit Care PLUS solution caters for the needs of all users with up-to-the minute design and ease of use. The entire concept of an integrated collection of bathroom and W.C. accessories and facilities revolves around the use and installation of the Pressalit Care PLUS wall track. With both horizontal and vertical adjustment options, PLUS is a complete bathroom system that makes it possible to plan, furnish and alter every single bathroom to meet requirements as they change.



CareSystem Plus

The secret behind the unique flexibility of PLUS is its track, which allows ease of movement for all. The track system enables the products to be repositioned as needed. This makes the solution adjustable to specific situations and specific needs. With the various products available, a complete solution for the bathroom can be created. Add Pressalit Care PLUS' series of complementary products to create a complete solution for the bathroom.



CareCompletion

Care Completion is a series of functional bathroom solutions which provide a pleasant and safe environment for people who need extra help with their daily routines in the bathroom. The products are made of materials which are robust and resistant to cleaning agents as well as to moisture and high humidity levels. The design takes account of current ergonomic and hygiene requirements while ensuring high standards of user comfort.



CareElements

CareElements provides an overall solution for the bathroom with a range of single elements. It is the perfect solution if full flexibility between bathroom functions is not required or possible. Furthermore, a range of special products is available to fulfil the needs of a particular group of users.

Adjustment Options

Pressalit Care PLUS is a product and interior design system that gives the freedom to plan a bathroom that answers the current needs precisely. With the track system, the design can be changed and expanded if the conditions change.



Products on horizontal and vertical tracks

The products can be adjusted horizontally along the track and vertically in height. They can be:

- Totally removed or replaced
- Repositioned along a track
- Added to or exchanged for other products



Products on horizontal tracks

The products can be adjusted horizontally along the track. They can be:

- Totally removed or replaced
- Repositioned along a track
- Added to or exchanged for other products



Products on vertical tracks

The products can be adjusted vertically in height. They can be:

- Totally removed or replaced
- Repositioned along a track
- Added to or exchanged for other products



Fixed products

The product cannot be adjusted.

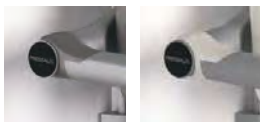
<p>Max. Load Support arm: 255kg Shower chair: 300kg Folding seat: 135kg Raised Toilet seats 150kg Toilet seats: 250kg Basin brackets: 100kg*</p>

*during height adjustment

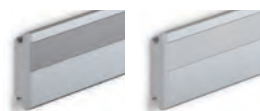
Colour Options

The flexibility of the Pressalit Care PLUS system is also reflected in the wide choice of colours available. Thanks to the variety of both subtle and intense colours, it is easy to choose exactly the right colour combinations to suit the bathroom's main purpose while satisfying user needs for an aesthetic and plainly laid-out design. Please note that longer lead time on products other than the standard colours white and anthracite can be expected and that minimum order quantities may apply on special colour orders.

Standard Colours -
for support arms and shower seats



Anthracite White



Anthracite Pale grey

Special Colours -
for support arms and shower seats



Anthracite Pale Umber Pale Blue Dark Blue

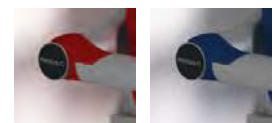


Lime Green Orange Red Purple

Standard Colours -
for rails and shower head holder



White Anthracite



Red Dark Blue

CareSystem Plus - Horizontal Wall Track

The track is available in special lengths and is kept in stock in intervals of 300 mm. Front plate cover is available in two colours: pale grey or anthracite

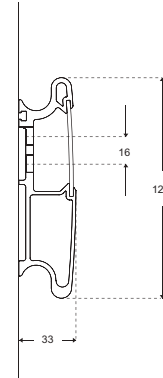
Length	Cover Plate	Code Number	Length	Cover Plate	Code Number
600mm	Anthracite	P6836700	2400mm	Anthracite	P6836712
600mm	Pale grey	P6836701	2400mm	Pale grey	P6836713
900mm	Anthracite	P6836702	2700mm	Anthracite	P6836714
900mm	Pale grey	P6836703	2700mm	Pale grey	P6836715
1200mm	Anthracite	P6836704	3000mm	Anthracite	P6836716
1200mm	Pale grey	P6836705	3000mm	Pale grey	P6836717
1500mm	Anthracite	P6836706	3300mm	Anthracite	P6836718
1500mm	Pale grey	P6836707	3300mm	Pale grey	P6836719
1800mm	Anthracite	P6836708	3600mm	Anthracite	P6836720
1800mm	Pale grey	P6836709	3600mm	Pale grey	P6836721
2100mm	Anthracite	P6836710	3900mm	Anthracite	P6836722
2100mm	Pale grey	P6836711	3900mm	Pale grey	P6836723



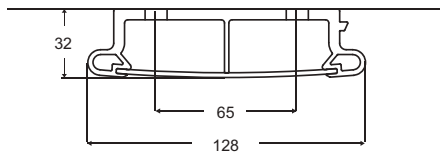
Anthracite



Pale grey



CareSystem Plus - Vertical Wall Track



The track is available in special lengths. Front plate cover is available in two colours: pale grey or anthracite. Please see product codes for details



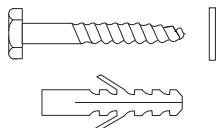
Anthracite



Pale grey

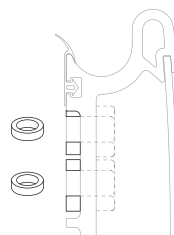
Length	Cover Plate	Code Number
400 mm wall track, grooved for height adjustable products	Anthracite	P6836730
400 mm wall track, grooved for height adjustable products	Pale grey	P6836731
600 mm wall track, grooved for height adjustable products	Anthracite	P6836732
600 mm wall track, grooved for height adjustable products	Pale grey	P6836733

CareSystem Plus - Accessories for track



10 bolts M8 x 70 with plugs
SX10 Max necessary:
20 pcs. per meter

Product	Code Number
Mounting Kit	P6836740



Sealing washers
10 pcs for sealing fixing bolts

Product	Code Number
Sealing Washers	P6836515



Sealing strip. 3000 mm long
for horizontal wall track and
wall

Product	Code Number
Sealing Strip	P6836514



Track stop. For horizontal
track

Product	Code Number
Track Stop	P6836741

CareSystem Plus - Wash Basin Bracket

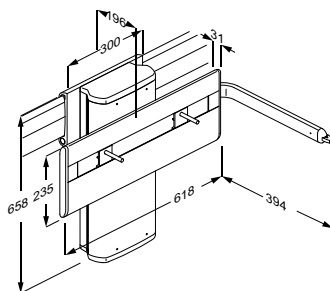
For mounting on horizontal wall track

When it is mounted at the recommended height, the wash basin's height can be adjusted 300 mm from 668 to 968 mm – measured from the floor to the top edge of the wash basin. P6836745 is supplied as a standard with a gas cylinder for wash basins weighing 16-20 kg.

Max load 200kg. Max load of 100kg during height adjustment. For flexible feed and waste system see page 226.

A Electric: 658mm

A Gas: 536mm



Product	Code Number
300 mm adj. height, electrically operated wash basin bracket with lever control	P6836742
300 mm adj. height, electrically operated wash basin bracket with wired hand control	P6836743
300 mm adj. height, electrically operated wash basin bracket with cordless remote control	P6836744
300 mm adj. height, gas-operated wash basin bracket with lever control	P6836745

CareSystem Plus - Wash Basin Bracket

Adjustable height

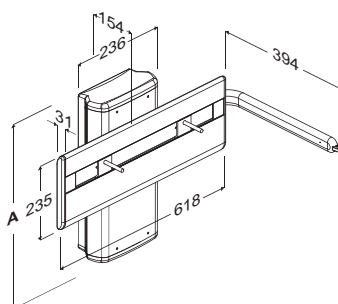
When it is mounted at the recommended height, the wash basin's height can be adjusted 300 mm within the range 668 to 968 mm – measured from the floor to the top edge of the wash basin.

As a standard supplied with gas cylinder for wash basins weighing 16-20 kg. Max weight loading 200kg.

For flexible feed and waste system see page 226.

A Electric: 658mm

A Gas: 536mm



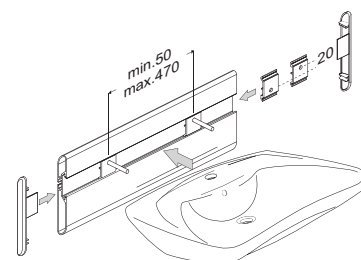
Product	Code Number
300 mm adj. height, electrically operated wash basin bracket with lever control	P6836747
300 mm adj. height, electrically operated wash basin bracket with wired hand control	P6836748
300 mm adj. height, electrically operated wash basin bracket with cordless remote control	P6836749
300 mm adj. height, gas-operated wash basin bracket with lever control	P6836746



Electric with lever control – the button at the end of the handle is gently pushed upwards when the wash basin is to be adjusted in an upwards direction, and down when the wash basin is lowered.



Gas with lever control – lift the lever control to release the lock. Push the basin to required height. Return the lever control to a horizontal position. The wash basin is now locked into the new position.



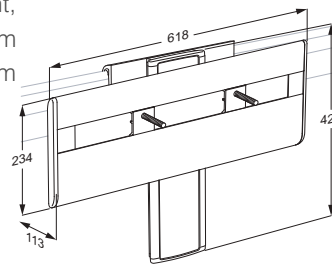
Mounting of wash basin: Bolt-mounted basin. Basin hole spacing: Min. 50mm; max. 470mm. The bolts can be set in positions 1-2 for adjustment of wash basin on the bracket. For bolt mounted wash basin see pages 186 - 190.

CareSystem Plus - Manual Wash Basin Bracket For mounting on horizontal wall track

When it is mounted at the recommended height, the wash basin's height can be adjusted 240 mm within the range 680 to 920 mm measured from the floor to the top edge of the wash basin.

Suitable for periodic adjustment only.
Max load 200kg

For flexible feed and waste system see page 226.



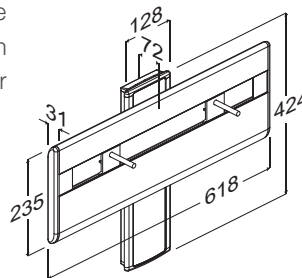
Product	Code Number
240 mm adj. height, manually operated wash basin bracket with lever control. Anthracite cover plate for wall track	P6836750
240 mm adj. height, manually operated wash basin bracket with lever control. Pale grey cover plate for wall track	P6836751

CareSystem Plus - Manual Wash Basin Bracket Adjustable height

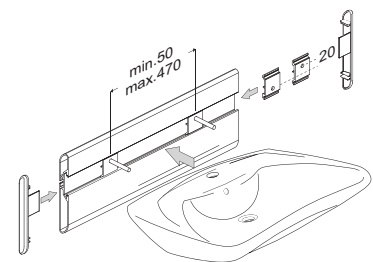
When it is mounted at the recommended height, the wash basin's height can be adjusted 240 mm within the range 728 to 968 mm – measured from the floor to the top edge of the wash basin.

Suitable for periodic adjustment only.
Max load 200kg

For flexible feed and waste system see page 226.



Product	Code Number
240 mm adj. height, manually operated wash basin bracket with lever control. Anthracite cover plate for wall track	P6836752
240 mm adj. height, manually operated wash basin bracket with lever control. Pale grey cover plate for wall track	P6836753



The lever lock is lifted at the same time as the wash basin until there is an audible click.

The height of the wash basin can now be set. The lever is re-engaged to lock the wash basin in the new position.

Track with grooves where the lock catches and the product is fixed.

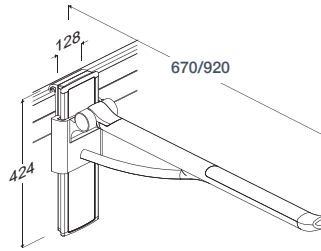
Mounting of wash basin: Bolt-mounted basin. Basin hole spacing: Min. 50mm; max. 470mm.
The bolts can be set in positions 1-2 for adjustment of wash basin on the bracket.

For bolt mounted wash basin see pages 186 - 190.

CareSystem Plus - Support Arms

For mounting on horizontal wall track

When it is mounted on a horizontal track at the recommended height, the support arm's height can be adjusted 240 mm within the range 645 to 885 mm – measured from the floor to the top edge of the support arm.



Projection when folded: 250mm.
Max load 225kg

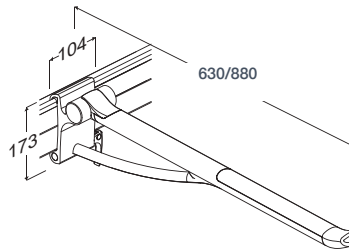
Length	Colour	Code Number
240 mm adj. height support arm, length 670 mm. Anthracite cover plate for wall track	White	P6836754
240 mm adj. height support arm, length 670 mm. Anthracite cover plate for wall track	Anthracite	P6836755
240 mm adj. height support arm, length 670 mm. Pale grey cover plate for wall track	White	P6836756
240 mm adj. height support arm, length 670 mm. Pale grey cover plate for wall track	Anthracite	P6836757
240 mm adj. height support arm, length 920 mm. Anthracite cover plate for track	White	P6836758
240 mm adj. height support arm, length 920 mm. Anthracite cover plate for track	Anthracite	P6836759
240 mm adj. height support arm, length 920 mm. Pale grey cover plate for track	White	P6836760
240 mm adj. height support arm, length 920 mm. Pale grey cover plate for track	Anthracite	P6836761

CareSystem Plus - Support Arms

For mounting on horizontal wall track

When it is mounted on a horizontal track at the recommended height, the support arm's height will be 854 mm measured from the floor to the top edge of the support arm.

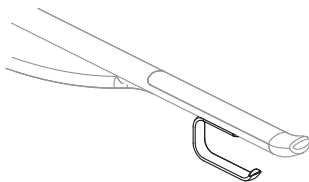
Max load 225kg



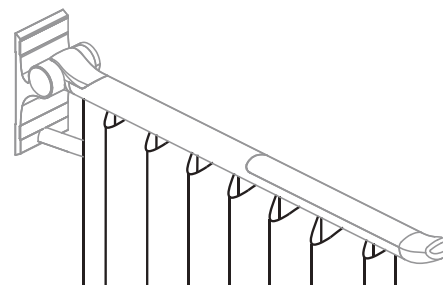
Projection when folded: 210mm.

Length	Colour	Code Number
Support arm, length 630 mm	White	P6836762
Support arm, length 630 mm	Anthracite	P6836763
Support arm, length 880 mm	White	P6836764
Support arm, length 880 mm	Anthracite	P6836765

CareSystem Plus - Accessories for Support Arm



Product	Code Number
Paper Holder	P6836766



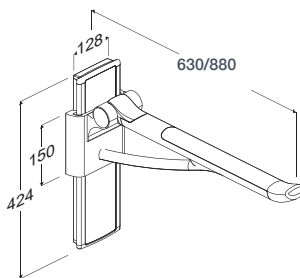
Product	Colour	Code Number
Shower curtain 830 x 1000 mm	White	P6836767

CareSystem Plus - Support Arms For mounting on vertical wall track

When it is mounted at the recommended height, the support arm's height can be adjusted from 645 to 885mm – measured from the floor to the top edge of the support arm.

Max load 225kg

Projection when folded: 215mm.



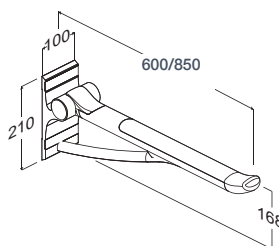
Product	Colour	Code Number
240 mm adj. height support arm, length 630 mm. Anthracite cover plate for track	White	P6836770
240 mm adj. height support arm, length 630 mm. Anthracite cover plate for track	Anthracite	P6836771
240 mm adj. height support arm, length 630 mm. Pale grey cover plate for track	White	P6836772
240 mm adj. height support arm, length 630 mm. Pale grey cover plate for track	Anthracite	P6836773
240 mm adj. height support arm, length 880 mm. Anthracite cover plate for track	White	P6836774
240 mm adj. height support arm, length 880 mm. Anthracite cover plate for track	Anthracite	P6836775
240 mm adj. height support arm, length 880 mm. Pale grey cover plate for track	White	P6836776
240 mm adj. height support arm, length 880 mm. Pale grey cover plate for track	Anthracite	P6836777

CareSystem Plus - Support Arms Fixed height

When it is mounted at the recommended height (890/840mm) the support arm's height will be (850/800mm) – measured from the floor to the top edge of the support arm.

Max load 225kg

Projection when folded: 186mm.



Length	Colour	Code Number
Support arm, length 600 mm	White	P6836778
Support arm, length 600 mm	Anthracite	P6836779
Support arm, length 850 mm	White	P6836780
Support arm, length 850 mm	Anthracite	P6836781

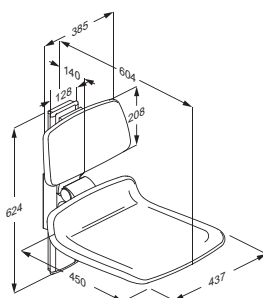
Care System - Manual Shower Chair 450 On vertical track with backrest

When it is mounted at the recommended height, the shower seat's height can be adjusted from 370 to 750mm – measured from the floor to the top edge of the seat.

Projection when folded: 219mm.

Max load 300kg

Available to order with aperture.



Product	Colour	Code Number
380 mm manually adj. shower seat with backrest. Anthracite cover plate for wall track	White	P6836802
380 mm manually adj. shower seat with backrest. Anthracite cover plate for wall track	Anthracite	P6836803
380 mm manually adj. shower seat with backrest. Pale grey cover plate for wall track	White	P6836804
380 mm manually adj. shower seat with backrest. Pale grey cover plate for wall track	Anthracite	P6836805

CareSystem Plus - Manual Shower Chair 450

For mounting on horizontal wall track

When it is mounted on a horizontal track at the recommended height, the shower chair's height can be adjusted as follows: 350-545 mm – measured from the floor to the top edge of the seat.

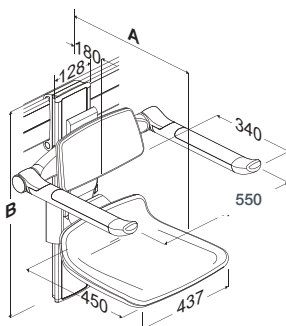
Projection when folded: 261mm.

Max load 300kg. Arm rest 80kg.

A = 645mm

B = 624 mm

Available to order with aperture/electric adjustment.



Product	Colour	Code Number
195 mm manually adj. shower seat with backrest and armrest. Anthracite cover plate for wall track	White	P6836790
195 mm manually adj. shower seat with backrest and armrest. Anthracite cover plate for wall track	Anthracite	P6836791
195 mm manually adj. shower seat with backrest and armrest. Pale grey cover plate for wall track	White	P6836792
195 mm manually adj. shower seat with backrest and armrest. Pale grey cover plate for wall track	Anthracite	P6836793
195 mm manually adj. shower seat with backrest. Anthracite cover plate for wall track	White	P6836794
195 mm manually adj. shower seat with backrest. Anthracite cover plate for wall track	Anthracite	P6836795
195 mm manually adj. shower seat with backrest. Pale grey cover plate for wall track	White	P6836796
195 mm manually adj. shower seat with backrest. Pale grey cover plate for wall track	Anthracite	P6836797

CareSystem Plus - Manual Shower Chair 450

For mounting on vertical wall track

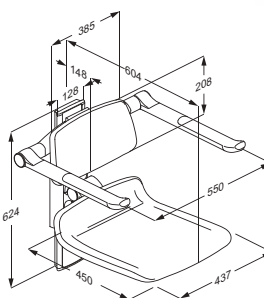
When it is mounted at the recommended height, the shower chair's height can be adjusted as follows: 355 – 540 mm measured from the floor to the top edge of the seat. Projection when folded: 219mm.

Max load 300kg. Arm rest 80kg.

A = 606 mm

B = 624 mm

Available to order with aperture/electric adjustment.



Product	Colour	Code Number
195 mm manually adj. shower seat with backrest and armrest. Anthracite cover plate for wall track	White	P6836798
195 mm manually adj. shower seat with backrest and armrest. Anthracite cover plate for wall track	Anthracite	P6836799
195 mm manually adj. shower seat with backrest and armrest. Pale grey cover plate for wall track	White	P6836800
195 mm manually adj. shower seat with backrest and armrest. Pale grey cover plate for wall track	Anthracite	P6836801

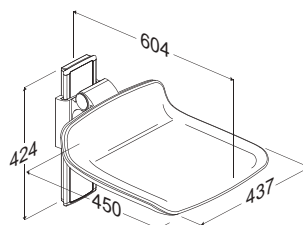
Care System - Manual Shower Chair 450

On vertical track

When it is mounted at the recommended height, the shower seat's height can be adjusted 240 mm from 380 to 620 mm – measured from the floor to the top edge of the seat.

Projection when folded: 219mm. Max load 300kg

Available to order with aperture.



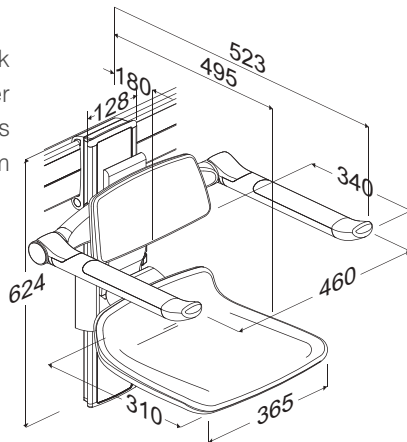
Product	Colour	Code Number
240 mm manually adj. shower seat. Anthracite cover plate for wall track	White	P6836806
240 mm manually adj. shower seat. Anthracite cover plate for wall track	Anthracite	P6836807
240 mm manually adj. shower seat. Pale grey cover plate for wall track	White	P6836808
240 mm manually adj. shower seat. Pale grey cover plate for wall track	Anthracite	P6836809

CareSystem Plus - Manual Shower Chair 310

For mounting on horizontal wall track

When it is mounted on a horizontal track at the recommended height, the shower chair's height can be adjusted as follows: 305 – 555 mm – measured from the floor to the top edge of the seat

Projection when folded 216mm
Max load 300kg
Arm rest 80kg



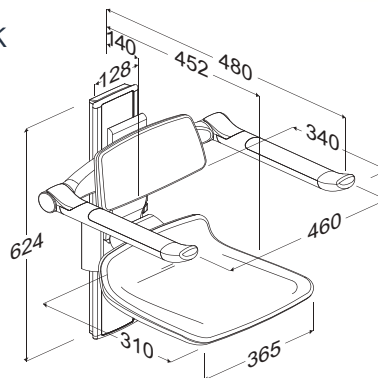
Products	Colour	Code Number
250 mm manually adj. shower seat with backrest and armrest Anthracite cover plate for wall track	White	P6836810
250 mm manually adj. shower seat with backrest and armrest. Anthracite cover plate for wall track	Anthracite	P6836811
250 mm manually adj. shower seat with backrest and armrest. Pale grey cover plate for wall track	White	P6836812
250 mm manually adj. shower seat with backrest and armrest. Pale grey cover plate for wall track	Anthracite	P6836813

CareSystem Plus - Manual Shower Chair 310

For mounting on vertical wall track

When it is mounted at the recommended height, the shower chair's height can be adjusted 250 mm as follows: 305 - 555 mm measured from the floor to the top edge of the seat.

Projection when folded: 173mm



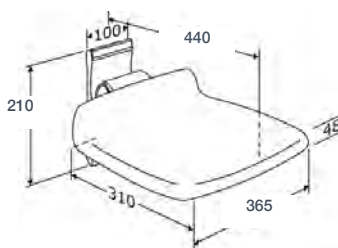
Products	Colour	Code Number
250 mm manually adj. shower seat with backrest and armrest. Anthracite cover plate for wall track	White	P6836814
250 mm manually adj. shower seat with backrest and armrest. Anthracite cover plate for wall track	Anthracite	P6836815
250 mm manually adj. shower seat with backrest and armrest. Pale grey cover plate for wall track	White	P6836816
250 mm manually adj. shower seat with backrest and armrest. Pale grey cover plate for wall track	Anthracite	P6836817

CareSystem Plus - Shower Chair 310

Fixed height

When mounted at the recommended height, the shower seat's height will be 400 mm - measured from the floor to the top edge of the seat.

Projection when folded: 145 mm.
Max load 300kg



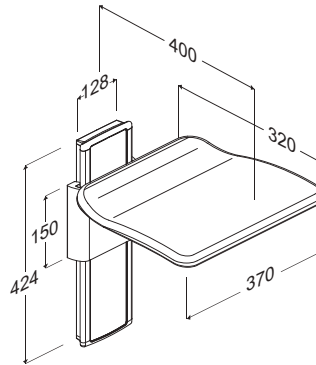
Product	Colour	Code Number
Shower Seat	White	P6836818
Shower Seat	Anthracite	P6836819

CareSystem Plus - Folding Seats

For mounting on vertical wall track

When it is mounted at the recommended height, the folding seat's height can be adjusted 240 mm from 380 to 620 mm – measured from the floor to the top edge of the seat.

Projection when folded: 118 mm.
Max load 400kg



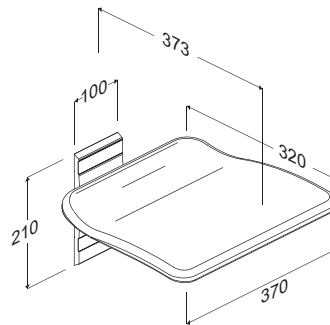
Product	Colour	Code Number
240 mm manually adj. folding seat. Anthracite cover plate for wall track	White	P6836820
240 mm manually adj. folding seat. Pale grey cover plate for wall track	White	P6836821

CareSystem Plus - Folding Seats

Fixed height

When it is mounted at the recommended height, the folding seat's height will be 440 mm – measured from the floor to the top edge of the seat.

Projection when folded: 91 mm.
Max load 650kg

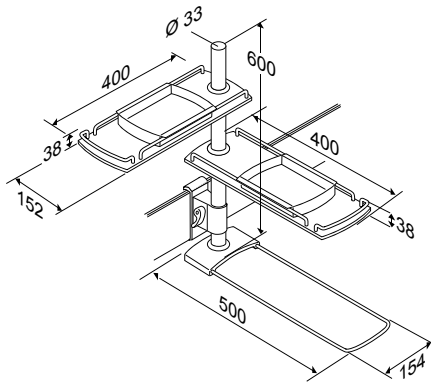


Product	Colour	Code Number
Folding Seat	White	P6836822

CareSystem Plus - Modular Shelves

For mounting on horizontal wall track

It is desirable to have toiletries close at hand in the bathroom. For this reason, Pressalit Care have developed modular shelves that can be mounted on the track, on the height adjustable wash basin bracket or directly on the wall. These are particularly useful where reach is impaired or limited.

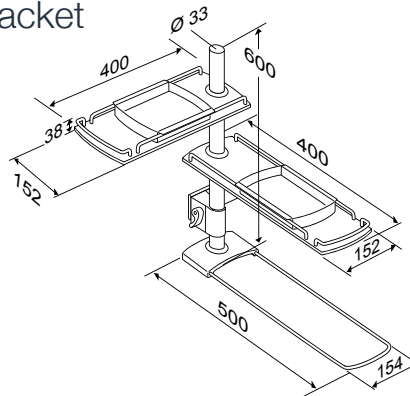


Product	Code Number
600mm Rod, 2 Shelves, Towel Holder, 2 Trays	P6836823
400mm Rod, 1 Shelf, Towel Holder, 1 Tray	P6836824

CareSystem Plus - Modular Shelves

For mounting on wash basin bracket

It is desirable to have toiletries close at hand in the bathroom. For this reason, Pressalit Care have developed modular shelves that can be mounted on the track, on the height adjustable wash basin bracket or directly on the wall. These are particularly useful where reach is impaired or limited.

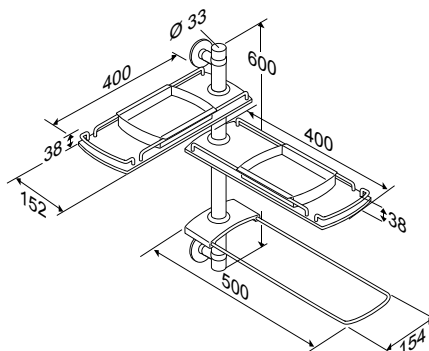


Product	Code Number
600mm Rod, 2 Shelves, Towel Holder, 2 Trays	P6836523
400mm Rod, 1 Shelf, Towel Holder, 1 Tray	P6836522

CareSystem Plus - Modular Shelves

Fixed mounting

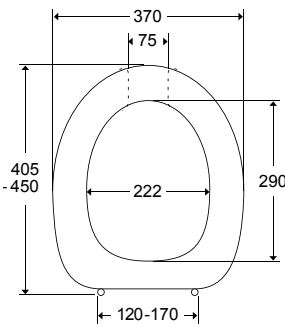
It is desirable to have toiletries close at hand in the bathroom. For this reason, Pressalit Care have developed modular shelves that can be mounted on the track, on the height adjustable wash basin bracket or directly on the wall. These are particularly useful where reach is impaired or limited.



Product	Code Number
600mm Rod, 2 Shelves, Towel Holder, 2 Trays	P6836519
400mm Rod, 1 Shelf, Towel Holder, 1 Tray	P6836518

CareCompletion - Dania Toilet Seat

An ergonomically designed seat that is well suited to most people. Sideways transfer is easy because the seat is flat. The cover is comfortable to sit on, and when set upright it gives good support to the back. It is well suited to hospitals, as most bedpans fit into the bowl whilst the handle is placed in the open front. Supplied with universal hinge B82/B83.



Product	Colour	Code Number
Dania without Cover	White	P6833814
Dania without Cover	Red	P6833806
Dania without Cover	Blue	P6833817
Dania with Cover	White	P6833815
Dania with Cover	Red	P6833816
Dania with Cover	Blue	P6833818

CareCompletion - Ergosit Toilet Seat

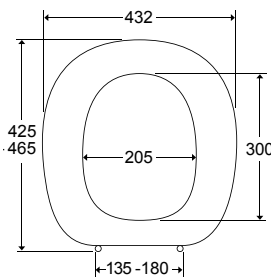
Large, wide sitting surface with good support. Well suited to "large" adults with digestive problems.

The bowels are stimulated by the seat's contoured surface that presses and acts on the thigh muscles and nerves.

Grooves at the back prevent adhesion.

Supplied with institutional hinge D92.

Also available with anti-vandalism hinge BZ7.



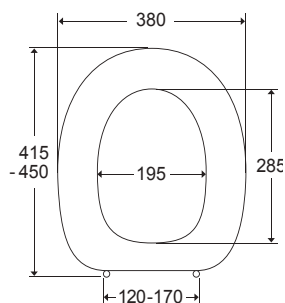
Product	Colour	Code Number
Ergosit without Cover	White	P6833301
Ergosit with Cover	White	P6833305

CareCompletion - Colani Toilet Seat

The curved bowl shape supports and stabilises the pelvis and also makes the seat well suited for children (six years old and above) with muscular atrophy. The raised side edges are easy to hold when the body needs to be stabilised. The cover is comfortable to sit on, and when set upright it gives good support to the back.

Supplied with universal hinge B82/B83

Also available with institutional hinge D92 and anti-vandalism hinge BZ7.

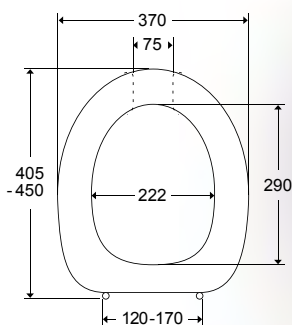


Product	Colour	Code Number
Colani with Cover	White	P6833201

CareCompletion - Raised Toilet Seats

Toilet seat, raised 50mm

On Dania and Ergosit 50mm raised seat, a splash guard is available to order P6833353.

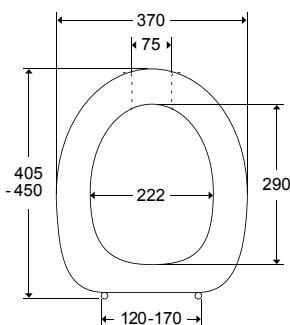


Product	Colour	Code Number
Dania, 50mm, Open Front, without Cover	White	P6833601
Dania, 50mm, Open Front, with Cover	White	P6833602
Dania, 50mm, without Cover	White	P6833651
Dania, 50mm, with Cover	White	P6833801
Ergosit, 50mm, without Cover	White	P6833351
Ergosit, 50mm, with Cover	White	P6833352

CareCompletion - Raised Toilet Seats

Toilet seat, raised 100mm

Dania 100mm comes with splash guard.

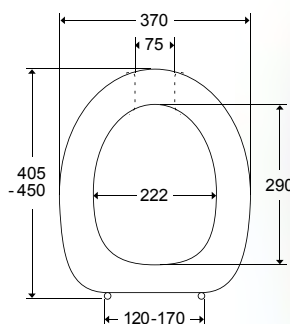


Product	Colour	Code Number
Dania, 100mm, Open Front, without Cover	White	P6833661
Dania, 100mm, without Cover	White	P6833611
Dania, 100mm, with Cover	White	P6833811

CareCompletion - Raised Toilet Seats

Toilet seat, 50/100mm slanted

Dania 50/100mm comes with splash guard.



Product	Colour	Code Number
Dania, 50/100mm, Slanted, with Cover	White	P6833821

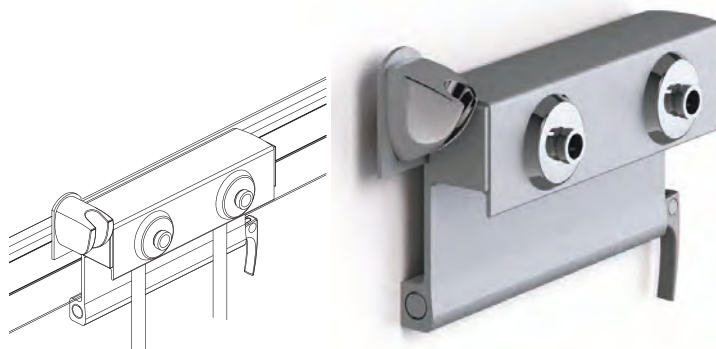
CareCompletion - Shower Accessories

Mixer bracket – mounting on horizontal track

1200mm feed pipes included.

The shower head holder can be mounted on the right or the left side according to need. The photo shows the mounting for a right-handed user. The shower mixer bracket fits valve fittings that have 151 mm pipe centres.

The lock handle allows for individual adjustment of the mixer bracket along the horizontal track. At the shower chair, at the wash basin – for hair washing, at the toilet – for bidet function. The spring lock features adjustable spring tension for individual adjustment.

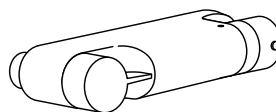


Product	Code Number
Shower Mixer Bracket	P6836825

CareCompletion - Shower Accessories

Shower mixer

Design and a contrasting colour of the operating handles make the "wing-shaped" handles easy to see and to use. The extra long handles of the P6836015 are made of smoke-coloured plastic. Eco-temp at 38° protects against scalding. The shower mixer is heat insulated.



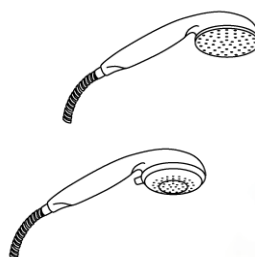
Can be mounted on shower mixer bracket P6836007 and the above P6836825

Product	Code Number
Shower Mixer with Thermostat	P6836014
Shower mixer with thermostat and extra long handle	P6836015

CareCompletion - Shower Accessories

Shower head

The curved shape of the handle and the weight balance between head and handle makes the shower head suitable for hands with little strength. An adjustment ring makes it easy to change the spray mode. The silicon spray jets are easy to keep free of lime. A shower hose of 2000mm and swivel joints give a big radius of action.



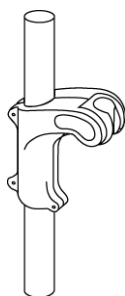
Product	Colour	Code Number
Shower head one spray mode	Chrome	P6836016
Shower head with three spray mode (standard, soft and massage)	Chrome	P6836017

CareCompletion - Shower Accessories

Shower head holder

The design of the shower head holder makes height adjustment easy – with one hand or hands with little strength. The angle of the shower head can be adjusted as wanted by a click-system.

Mounted on a handrail of 1000mm the shower head holder is suitable for both seated and standing users. At the same time the handrail will offer good support.



Product	Colour	Code Number
Shower Head Holder for Vertical Handrail	White	P6836055
Shower Head Holder for Vertical Handrail	Anthracite	P6836826
Shower Head Holder for Vertical Handrail	Blue	P6836057

CareCompletion - Shower Accessories

Shower curtain rail

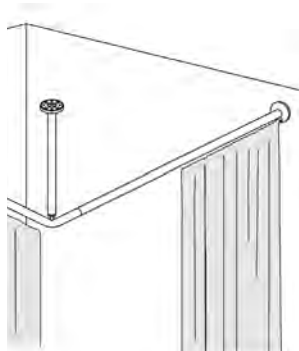
Including 2 x 12 curtain rings and ceiling support, 600mm (can be cut to desired length).

Shower curtain:

P6836047 white: 1500 x 2000mm, 2 pcs.

P6836052 white: 1800 x 2000mm, 2 pcs.

Shower curtain rings: P6836054: 12 pcs.



Product	Colour	Code Number
Shower Curtain Rail 1200 x 1200mm	White	P6836044
Shower Curtain Rail 1200 x 1200mm	Red	P6836045
Shower Curtain Rail 1200 x 1200mm	Blue	P6836046

CareCompletion - Shower Accessories

Shower curtain rail opening version

Can be used in rooms with ceiling hoist.

The 2 shower curtain rails can be opened and turned 90° to both sides making it possible for a ceiling hoist to pass. The shower curtain rails can also be used as a room divider.

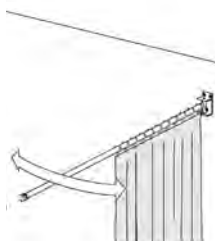
Including 2 x 12 curtain rings.

Shower curtain:

P6836047 white: 1500 x 2000mm, 2 pcs.

P6836052 white: 1800 x 2000mm, 2 pcs.

Shower curtain rings: P6836054: 12 pcs.



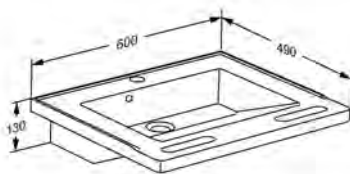
Product	Colour	Code Number
Shower Curtain Rails 1500 x 1500mm	Silver*	P6836049

*with white ends

Matrix - Small Basin

Wash basin with integrated handrails

'MATRIX Small' is a narrow wash basin with two integrated handrails in the front for assistance. The wash basin has a flat bottom, leaving room for the user's legs underneath. It is ideal for bathrooms where the available space has to be efficiently utilised. Withstands up to 200kg.

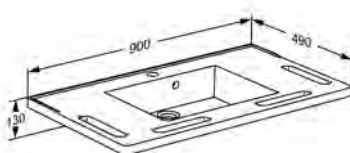


Product	Colour	Code Number
1 tap-hole basin with overflow	White	P6835223
1 tap-hole basin without overflow	White	P6835224

Matrix - Large Vanity

Wash basin with integrated handrails

'MATRIX Large' is a vanity wash basin designed for bathrooms with plenty of space. The wash basin has two integrated handrails on the front edge and two handrails at the sides. Withstands up to 200kg.

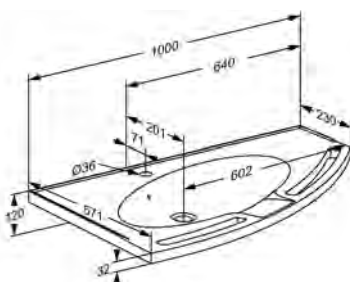


Product	Colour	Code Number
1 tap-hole vanity basin with overflow	White	P6835225
1 tap-hole vanity basin without overflow	White	P6835226

Matrix - Angle Vanity

Wash basin with integrated handrails

'MATRIX Angle' is designed so the wash basin can be positioned close to the toilet, while leaving a spacious work area for a helper. The basin has two integrated handrails in the front with a front drip tray to prevent water dripping onto the user. The basin's raised edges prevent water from running over the back or sides of the basin. Withstands up to 200kg.



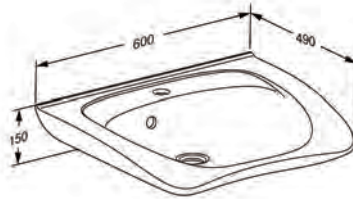
Right facing illustrated

Product	Colour	Code Number
1 tap-hole corner vanity basin with overflow, right facing	White	P6835227
1 tap-hole corner vanity basin without overflow, right facing	White	P6835228
1 tap-hole corner vanity basin with overflow, left facing	White	P6835229
1 tap-hole corner vanity basin without overflow, left facing	White	P6835230

Matrix - Curve Basin

600 x 490mm

MATRIX Curve. For seated users, the design of the corners provides space and support for the elbows at the wash basin, and the flat bottom leaves room for the legs underneath.

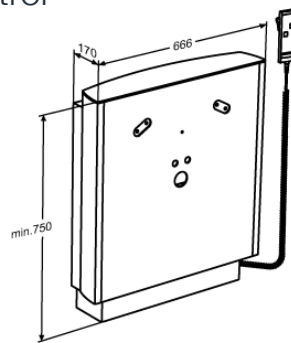


Product	Colour	Code Number
1 tap-hole with overflow	White	P6835237
1 tap-hole without overflow	White	P6835238

Select - Wash Basin Lifter Hand Control

Powered Wash Basin Lifter with electric motor and wired hand control.

- Material: Polystyrene/Aluminium
- Available: White, Anthracite, Grey or Lime Green
- Max. load: 150kg
- Adjustable 300mm from 670mm to 970mm
- For Matrix Curve and Matrix Small Basins

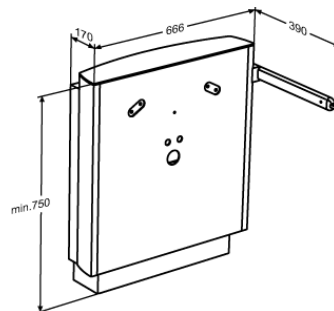


Product	Colour	Code Number
Wash basin lifter - hand control	White	P6835222

Select - Wash Basin Lifter Lever Control

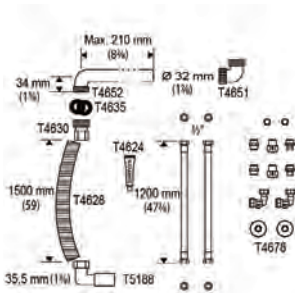
Powered Wash Basin Lifter with electric motor and lever control

- Material: Polystyrene/Aluminium
- Available: White, Anthracite, Grey or Lime Green
- Max. load: 150kg
- Adjustable 300mm from 670mm to 970mm
- Lever control is strong enough to be used as an extra support
- For Matrix Curve and Matrix Small Basins

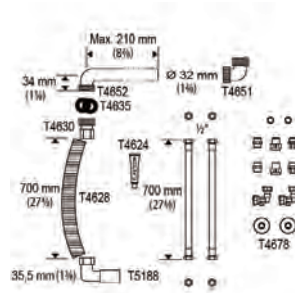


Product	Colour	Code Number
Wash basin lifter - lever control	White	P6835221

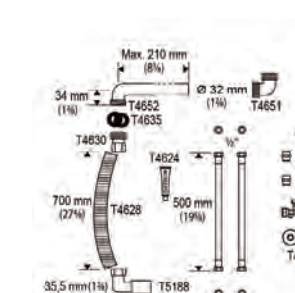
CareElements - Flexible Feed and Waste Systems



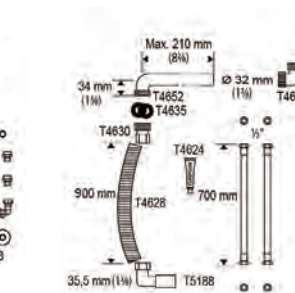
Product	Code Number
½"/1200mm	P6843415



Product	Code Number
½"/700mm	P6843425



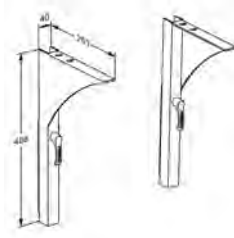
Product	Code Number
½"/500mm	P6843420



Product	Code Number
½"/700mm	P6835239

Matrix - Brackets

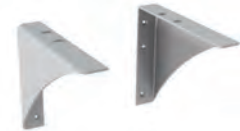
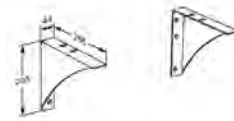
Manually adjustable brackets for Matrix Large & Angle corner basins (set of 2 pcs)



Product	Colour	Code Number
Basin brackets for large and angle basins	White	P6835233

Matrix - Brackets

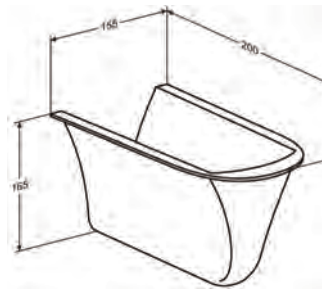
Fixed brackets for Matrix Large & Angle corner basins (set of 2 pcs)



Product	Colour	Code Number
Basin brackets for large and angle basins	White	P6835234

Matrix - Installation Cover

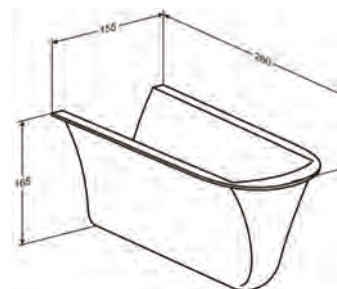
Recommended for use with Select basin lifter.
Use with Matrix Curve basin



Product	Colour	Code Number
Installation cover to suit P6835237/38	White	P6835235

Matrix - Installation Cover

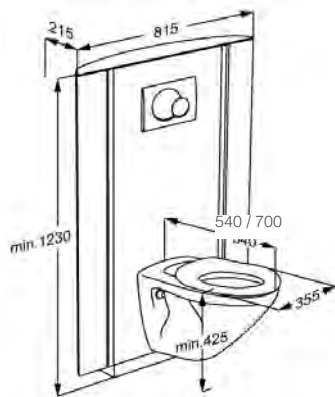
Recommended for use with Select basin lifter.
Use with Matrix Small basin



Product	Colour	Code Number
installation Cover to suit P6835223/24	White	P6835236

Select - Powered Toilet Lifter

- Material: Polystyrene/Aluminium
- Supplied with toilet, toilet seat and cistern with 3/6 ltr dual flush
- Available:
 - White, Anthracite or Lime Green
- Max. load: 200kg
- Side profiles for support arms
- Height adjustable 400mm 425mm to 825mm
- Minimum of grooves, slots and holes makes cleaning fast and effective
- Wired hand control



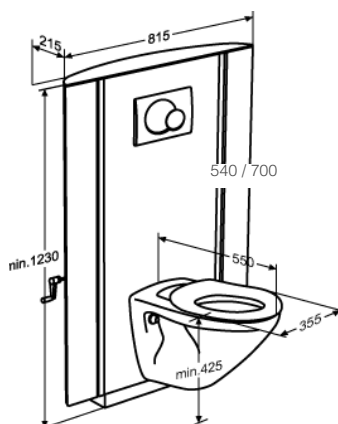
*Support arms available as an additional item



Product	Code Number
For floor outlet. Toilet pan 540mm projection	P6835217
For floor outlet. Toilet pan 700mm projection	P6835218
For wall outlet. Toilet pan 540mm projection	P6835219
For wall outlet. Toilet pan 700mm projection	P6835220

Select - Manual Toilet Lifter

- Material: Polystyrene/Aluminium
- Supplied with toilet, toilet seat and cistern with 3/6 ltr dual flush
- Available:
 - White, Anthracite or Grey/Lime Green
- Max. load: 200kg
- Side profiles for support arms
- Height adjustable 300mm 425mm to 725mm
- Minimum of grooves, slots and holes makes cleaning fast and effective
- Crank handle can be fitted either side



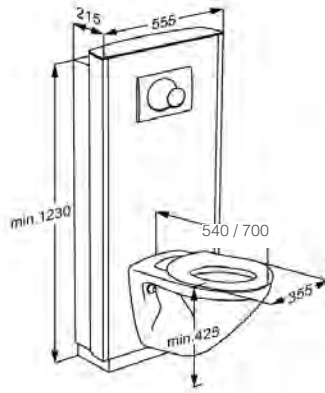
*Support arms available as an additional item



Product	Code Number
For floor outlet. Toilet pan 540mm projection	P6835209
For floor outlet. Toilet pan 700mm projection	P6835210
For wall outlet. Toilet pan 540mm projection	P6835211
For wall outlet. Toilet pan 700mm projection	P6835212

Select - Powered Toilet Lifter

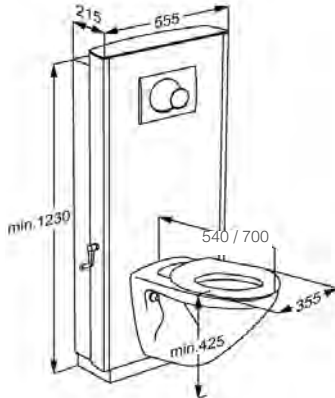
- Material: Polystyrene/Aluminium
- Supplied with toilet, toilet seat and cistern with 3/6 ltr dual flush
- Available:
White, Anthracite or Lime Green
- Max. load: 200kg
- Height adjustable 400mm from 425mm to 825mm
- Minimum of grooves, slots and holes makes cleaning fast and effective
- Wired hand control



Product	Code Number
For floor outlet. Toilet pan 540mm projection	P6835213
For floor outlet. Toilet pan 700mm projection	P6835214
For wall outlet. Toilet pan 540mm projection	P6835215
For wall outlet. Toilet pan 700mm projection	P6835216

Select - Manual Toilet Lifter

- Material: Polystyrene/Aluminium
- Supplied with toilet, toilet seat and cistern with 3/6 ltr dual flush
- Available:
White, Anthracite or Lime Green
- Max. load: 200kg
- Height adjustable 300mm from 425mm to 725mm
- Minimum of grooves, slots and holes makes cleaning fast and effective
- Crank handle can be fitted either side



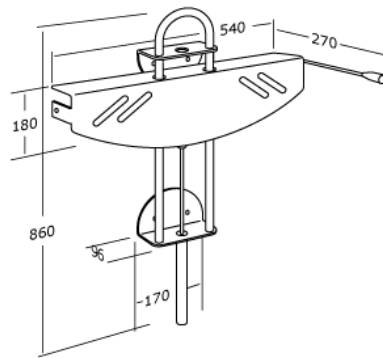
Product	Code Number
For floor outlet. Toilet pan 540mm projection	P6835205
For floor outlet. Toilet pan 700mm projection	P6835206
For wall outlet. Toilet pan 540mm projection	P6835207
For wall outlet. Toilet pan 700mm projection	P6835208

CareElements - Wall Mountings for Wash Basins

Height adjustable wall mountings are suitable for residential homes. They allow users to be more independent and improve carers' working conditions.

Gas assisted height adjustment of 320mm. Max load 80kg.

For Flexible feed and waste system see page 218.

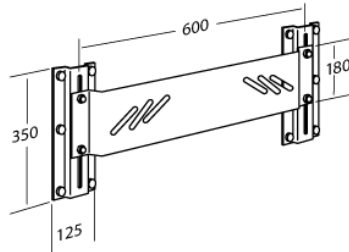


Product	Code Number
Height Adj. 320mm Wall Mounting with Gas Cylinder	P6810630

CareElements - Wall Mountings for Wash Basins

Height adjustable mounting plates are suitable for residential homes. They allow users to be more independent and improve carers' working conditions.

Manual height adjustment of 150mm. This model is for occasional height adjustment only. Max load 80kg.



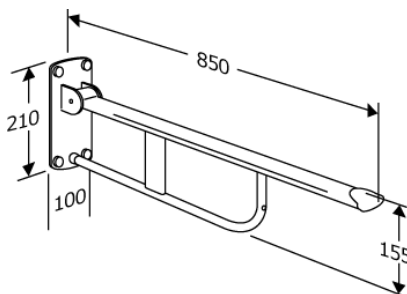
For Flexible feed and waste system see page 218.

Product	Code Number
Height Adj.150mm, Mounting Plate Including Brackets	P6810621

CareElements - Support Arm

Fixed height

The range of different support arms offers safety to both the independent user and the carer. The rounded design gives a firm and comfortable grip. Max vertical load 120kg.



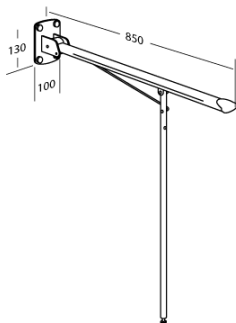
Projection when folded: 185mm.

Product	Colour	Code Number
Support Arm	White	P6835151
Support Arm	Blue	P6835155

CareElements - Support Arm with Leg

Fixed height

Max vertical load 135kg



Projection when folded: 140mm.

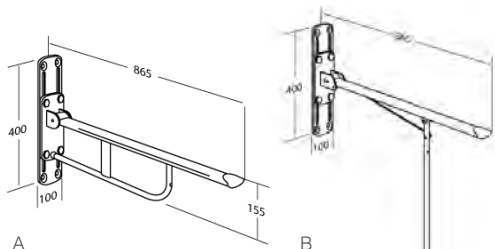
Product	Colour	Code Number
Support Arm	White	P6835101



CareElements - Support Arm with Height Adjustment

A-Max vertical load 120kg

B-Max vertical load 135kg



Projection when folded: 200mm. Projection when folded: 155mm.

Product	Colour	Code Number
150mm Adjustable Support Arm	White	P6835111
150mm Adjustable Support Arm with Leg	White	P6835001



CareElements - Accessories for Support Arms



Product	Code Number
Paper Holder with Spring*	P6835315

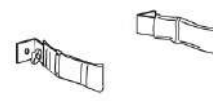


Max vertical load 40kg

Product	Code Number
Front Rail Set of 2*	P6835201



Product	Code Number
Back Support for Support Arm	P6835451



Product	Code Number
Side Support for Support Arms	P6835501

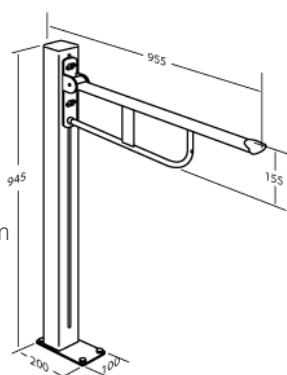
*for support arms

CareElements - Free-Standing Support Arm

Including fixing kit for floor.

Suitable if:

- Wall is unstable
- Distance from wall to front of toilet exceeds 700mm
- Mounting on wall is not possible
- Height adjustment from 215mm to 885mm
- Max vertical load 120kg

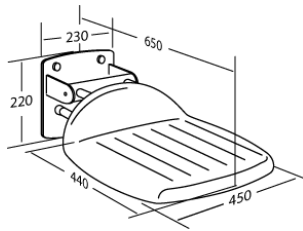


Product	Code Number
670mm Adjustable Free-Standing Support Arm	P6835161



CareElements - Folding Shower Seat

For some users, being able to sit while showering is a matter of safety. The shower seats are designed for mounting in the shower area and can be easily folded up or down according to need.



Max vertical load 125kg

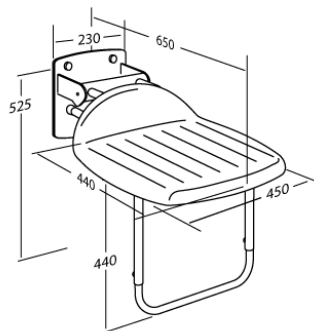
Projection when folded: 197mm.



Product	Code Number
Folding Shower Seat	P6823822

CareElements - Folding Shower Seat with Support Leg

The addition of an adjustable support leg provides extra stability and strength if required.



Max vertical load 125kg

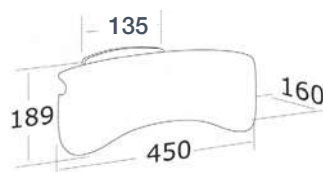
Projection when folded: 250mm.



Product	Code Number
Folding Shower Seat with Support Leg	P6835452

CareElements - Backrest for Folding Shower Seat

Providing a backrest in conjunction with the shower seat will allow for a more comfortable showering experience.

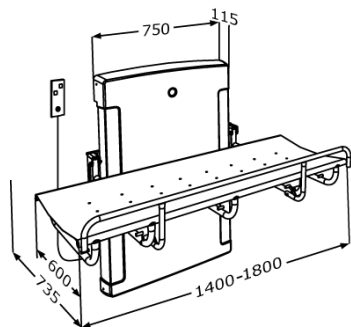


Product	Code Number
Backrest for Folding Shower Seat	P6823824

CareElements - 1000 Series Nursing Bench - Adjustable Height

The 1000 Series Nursing Bench enables carers to effectively and safely care for their patient or loved one. Carers can easily adjust the height of the bench in order to avoid back strain. Integrated gas cylinders enable the bench to fold back into the wall.

Meeting recommendations detailed in the British Standard BS8300:2009, the range of height adjustable, adult-sized changing benches are particularly suitable for Changing Places facilities.



A range of showering and nursing benches with PVC coated canvas stretchers, suitable for Changing Places facilities, school hygiene rooms and home adaptations. Maximum weight limit 150 kg. When mounted at the recommended height, the height of the nursing bench can be adjusted from 500 to 900mm above floor. Including remote control.

Product	Code Number
Electric Nursing Bench, 1400mm	P6825225
Electric Nursing Bench, 1800mm	P6825230

CareElements - Splash Curtain for Nursing Bench

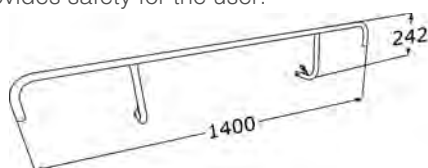
Protects the carer against splashing.

Product	Code Number
Splash Curtain 1400mm	P6825235
Splash Curtain 1800mm	P6825240



CareElements - Safety Rail

Provides safety for the user.



Product	Code Number
Safety Rail 1400-1800mm	P6825245



CareElements - 2000 Series Nursing Bench - Adjustable Height

1800 mm powered nursing bench with wired hand control, 700 mm height adjustable.

Including safety rail and water collection tray with integrated outlet. Materials: Coated steel, mesh cover, polystyrene.

The frame is made from powder-laquered stainless steel, the lying surface is a mesh cover. The water collection tray is made from polystyrene.

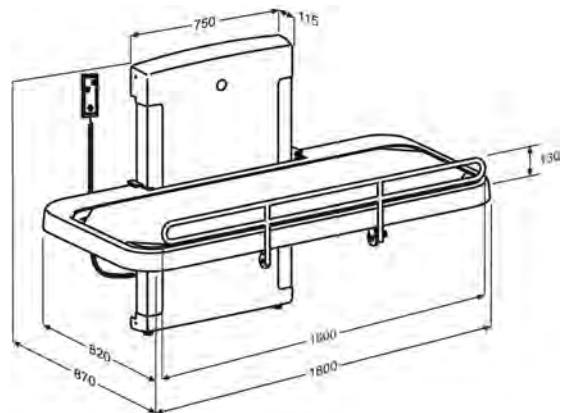
Can be adjusted from 300 - 1000mm above floor

Max load 175kg

Includes safety rail



Water collection tray with integrated outlet.



Product	Code Number
Electric Nursing Bench, 1800mm	P6825315

CareElements - 3000 Series Nursing Bench - Adjustable Height

In situations where a person needs to be bathed while lying down, it is important that the nursing bench can be lowered to a suitable height for transfer, for example from a wheelchair, and then raised to a suitable working height for the carer. It is equally important to ensure that the bench is sufficiently comfortable and safe.

The electrically powered nursing bench can be adjusted by 700mm, from 300-1000mm above floor. The water collection tray is equipped with an integrated water outlet that prevents water from splashing on carers or the floor. The integrated gas cylinder enables the bench to be folded easily against the wall when not in use to maximise floor space.

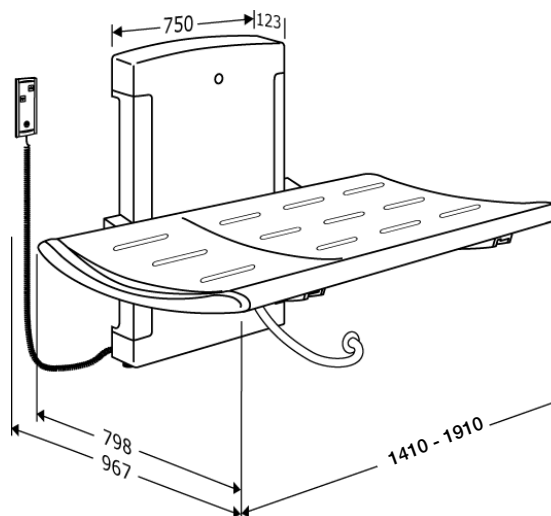


Maximum weight limit 200 kg.



The flexible hose attached to the centre outlet of the water collection tray can be connected to either an outlet in the floor or on the wall.

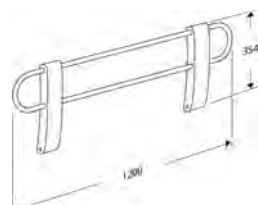
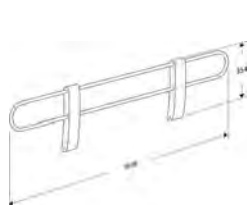
Manually adjustable back support at either end and safety rail.



Product	Code Number
1800mm, 700mm Height adj., Electric Motor	P6825221
1300mm, 700mm Height adj., Electric Motor	P6825211

Projection when folded:
with safety rail - 330mm
without safety rail - 300mm

CareElements - Safety Rail



Product	Code Number
Safety Rail 1636mm (For 1800mm Bench)	P6825311
Safety Rail 1200mm (For 1300mm Bench)	P6825310



Hewi

Bathroom Solutions

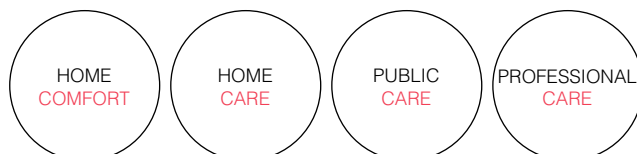
Accessible solutions from Hewi have been developed to universal design criteria and therefore enable intergenerational use. The central design component for the Hewi System 815 range of accessories is the fixing element, which is based on the basic shape of the circle. The round style element is combined with linear tubular design.



The Hewi System 815 includes classic sanitary accessories, comfort and convenience elements through to accessibility products. In this way, architects, planners and designers, building contractors and users are offered suitable solutions, which can be matched to the individual needs of the users and are independent of the areas of use.

Warm Touch

Products with warm to touch properties unite the visual properties of high gloss chrome surfaces with the haptic properties of polyamide. The products feel pleasantly warm and therefore contribute to the user's feeling of well being. Due to this property, warm touch products are especially suitable for patients with increased sensitivity to cold, for example, those who have rheumatic disorders.





Wash Basin

600 x 550mm	Code Number
No taphole or overflow	P6836953
1 taphole without overflow	P6836954



Double Wash Basin

1100 x 550mm	Code Number
No taphole or overflow	P6836956
1 taphole without overflow	P6836955



Wash Basin

850 x 415mm	Code Number
No taphole or overflow	P6836957
1 taphole without overflow	P6836958



Wash Basin

850 x 550mm	Code Number
3 taphole without overflow	P6836959



Wash Basin

1000 x 550mm	Code Number
No taphole or overflow	P6836960
1 taphole without overflow	P6836961
3 tapholes without overflow	P6836962



Alpine Wash Basin

600 x 500mm	Code Number
No taphole or overflow	P6836965
1 taphole without overflow	P6836963
3 tapholes without overflow	P6836964



Can be tilted 0 to 10°

Adjustable Mirror

580 x 680 x 115mm	Code Number
Mirror	P6836966



Warm Touch - Hinged

Mono Fixed Grab Rail

Product	Finish	Code Number
Folding 600mm	Chrome	P6836967



Warm Touch - Hinged

Mono Mobile Grab Rail

Product	Finish	Code Number
Folding 600mm	Chrome	P6836968



Warm Touch - Hinged

Duo Fixed Grab Rail

Product	Finish	Code Number
Folding 700mm	Chrome	P6836969
Folding 850mm	Chrome	P6836970
Folding 900mm	Chrome	P6836971



Warm Touch - Hinged

Duo Mobile Grab Rail

Product	Finish	Code Number
Folding 700mm	Chrome	P6836972
Folding 850mm	Chrome	P6836973



Warm Touch

Fixed Grab Rail

Product	Finish	Code Number
Straight 300mm	Chrome	P6836974
Straight 400mm	Chrome	P6836975
Straight 600mm	Chrome	P6836976
Straight 900mm	Chrome	P6836977



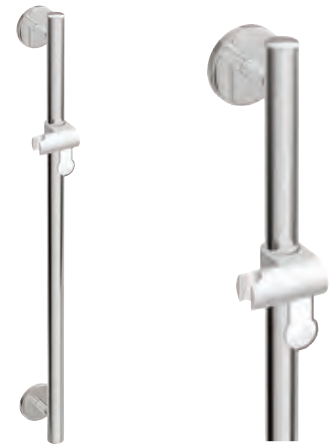
Hinged
Mono Fixed Grab Rail

Product	Finish	Code Number
Folding 600mm	Chrome	P6836984



Hinged
Mono Mobile Grab Rail

Product	Finish	Code Number
Folding 600mm	Chrome	P6836985



Warm Touch
Shower Riser Rail

Product	Code Number
600mm with holder	P6836978
900mm with holder	P6836979
1100mm with holder	P6836980



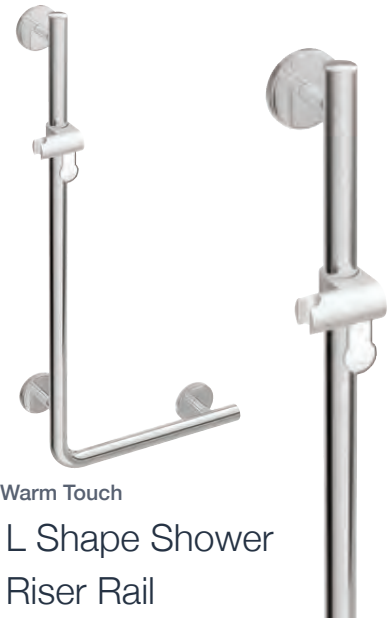
Hinged
Duo Fixed Grab Rail

Product	Finish	Code Number
Folding 700mm	Chrome	P6836986
Folding 850mm	Chrome	P6836987
Folding 900mm	Chrome	P6836988



Hinged
Duo Mobile Grab Rail

Product	Finish	Code Number
Folding 700mm	Chrome	P6836989
Folding 850mm	Chrome	P6836990



Warm Touch
L Shape Shower
Riser Rail

Product	Code Number
1100 x 600mm with holder	P6836981
900 x 400mm with holder	P6836982



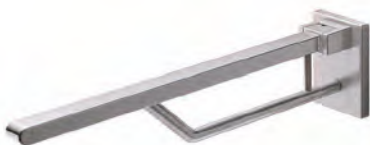
Hinged
Mono Fixed Grab Rail

Product	Finish	Code Number
Folding 600mm	S/Steel	P6836991



Hinged
Mono Mobile Grab Rail

Product	Finish	Code Number
Folding 600mm	S/Steel	P6836992



Hinged
Duo Fixed Grab Rail

Product	Finish	Code Number
Folding 700mm	S/Steel	P6836993
Folding 850mm	S/Steel	P6836994
Folding 900mm	S/Steel	P6836995



Hinged
Duo Mobile Grab Rail

Product	Finish	Code Number
Folding 700mm	S/Steel	P6836996
Folding 850mm	S/Steel	P6836997



Waste Bin 6Ltr

Product	Code Number
Wall Mounted Knee Operated	P6836983



Shower Seat - Fixed

Max Load 150kg

Product	Code Number
With Back rest	P6836998
With back rest and arms	P6836999



Shower Seat - Removable

Max Load 150kg

Product	Code Number
With back rest	P6837000
With back rest and arms	P6837001



Shower Seat - Fixed

Max Load 150kg

Product	Code Number
Hinged 350mm	P6837002
Hinged 450mm	P6837003



Shower Seat - Removable

Max Load 150kg

Product	Code Number
Hinged 350mm	P6837004
Hinged 450mm	P6837005



White Back Rest

Product	Code Number
White	P6837007



Mounting Plate & Cover

Product	Finish	Code Number
for mobile rails	Chrome	P6837008



Mounting Plate & Cover

Product	Finish	Code Number
for mobile rails	S/Steel	P6837009



Round Shower Seat Fixed

Max Load 150kg

Product	Code Number
Hinged	P6837006





Ropox

Bathroom Solutions

We offer a range of functional assistive technology products manufactured by Ropox, that are beautiful and simple in design. Ropox showering solutions have been designed to co-ordinate harmoniously with interiors of the dwelling, whilst also improving the working environment.

The performance of certain activities is essential for users to live a dignified life. These activities can be taken for granted in everyday life. We have therefore specialised in flexible and integrated solutions for facilitating daily living in private homes, institutions or care centres.

Ropox Shower Seat Wall Mounted

Its Polyurethane cover is both comfortable and supportive. This material is durable and insulated, so that the seat does not feel cold or hard. The main seat profile has an aluminium stainless steel frame for strength and rigidity.

Technical Details:

- Overall width 469mm
- Overall depth 552mm
- Seat width 469mm
- Seat depth 500mm
- Max weight 150kg (23st)



Product	Colour	Code Number
Ropox Wall Mounted	Blue	P6828803

Ropox Shower Seat Wall Mounted - with leg

Its Polyurethane cover is both comfortable and supportive. This material is durable and insulated, so that the seat does not feel cold or hard. The main seat profile has an aluminium stainless steel frame for strength and rigidity.

Technical Details:

- Overall width 469mm
- Overall depth 552mm
- Seat width 469mm
- Seat depth 500mm
- 440 - 540
- Max weight 200kg (31st)



Product	Colour	Code Number
Ropox Wall Mounted with leg	Blue	P6828804

Mississippi -Swing Wash Basin

A wash basin that moves to suit the user and carer's needs, it improves hygiene and dignity by moving the basin to within reach of a person in a wheelchair or on a toilet. Carer's can move the basin away to create space for safer transfer.

- White Gel coated composite. (Resin and powdered marble).
- Flexible plumbing is integrated within the arm.
- Small rooms are made accessible by movement of the basin.
- 180 degree movement at both ends of the arm within a 120cm arc.
- Docking Station allows the basin to be in a fixed position if required.
- Standard short cover for sideways connection to services.
- Extended cover for services from the floor or below the wall frame.
- 430 x 590mm.

Product	Colour	Code Number
Swing basin including mixer tap	White/Grey	P6828782
Swing basin including mixer tap and extended cover	White/Grey	P6828796
Swing basin including mixer tap and height adjustable by 150mm	White/Grey	P6828797
Swing basin including mixer tap and extended cover and height adjustable by 150mm	White/Grey	P6828798
Docking Station	White	P6828795



Loire Toilet Support Arms

- Oval shaped profile
- Easy to raise and lower
- Stability provides extra confidence
- Hygienic and easy to clean
- All rails are 900mm in length
- Hold position at any angle to make lowering easier

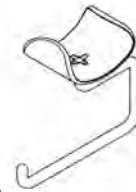
Loire Support Grip



Tested to 135kg

Product	Colour	Code Number
Support Grip	White	P6828788

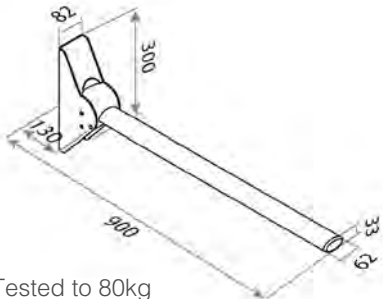
Loire Toilet Roll Holder



Tested to 135kg

Product	Colour	Code Number
toilet roll holder	White	P6828789

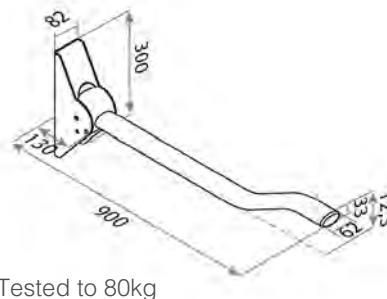
Loire Straight Rail



Tested to 80kg

Product	Colour	Code Number
drop down rail	White	P6828784

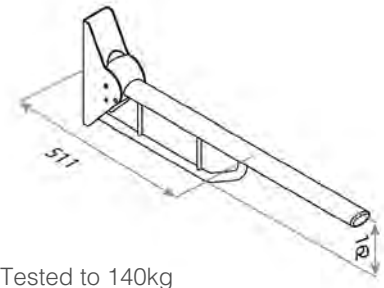
Loire Wave Rail



Tested to 80kg

Product	Colour	Code Number
drop down rail	White	P6828786

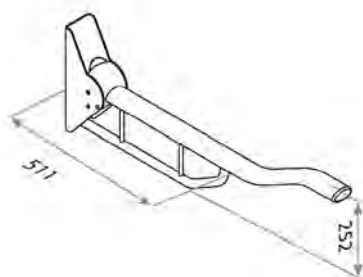
Loire Straight Twin Rail



Tested to 140kg

Product	Colour	Code Number
drop down rail	White	P6828790

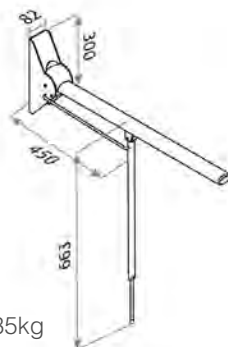
Loire Wave Twin Rail



Tested to 140kg

Product	Colour	Code Number
drop down rail	White	P6828790

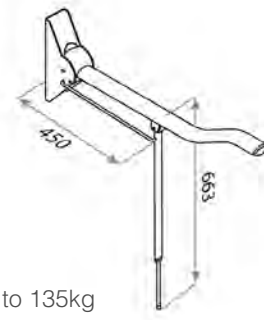
Loire Straight Rail with leg



Tested to 135kg

Product	Colour	Code Number
drop down rail	White	P6828785

Loire Wave Rail with leg



Tested to 135kg

Product	Colour	Code Number
drop down rail	White	P6828787



Ropox Vision

Height adjustable tables

Our range of height-adjustable tables have been ergonomically designed for multi-users, whether to avoid RSI, or for wheelchair users. Vision tables can encourage inclusive participation for a safer, more ergonomic and comfortable experience. With optimum leg room and adjustability, Vision tables are designed to suit individual posture and height.



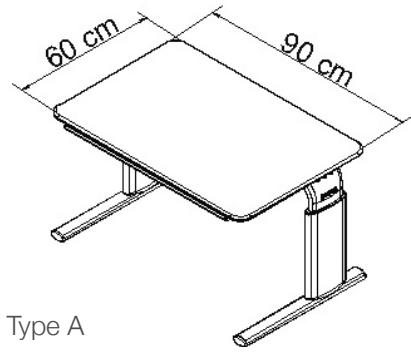
- Ergonomic design
- Rounded corners
- Height adjustable
- Suitable for wheelchair users
- Different levels of adjustability available
- Steel plates (on tilted versions only) for magnetic accessories
- Available as manual or electric
- Available in light grey as standard, different colours available on request
- Accessories available



Vision Table Top

Height adjustable manual or electrically operated table.
900 x 600mm.

Operation	Height Adjustment	Code Number
Manual	500 - 700mm	P7120059
Manual	600 - 900mm	P7120060
Electric	500 - 700mm	P7120061
Electric	600 - 900mm	P7120062

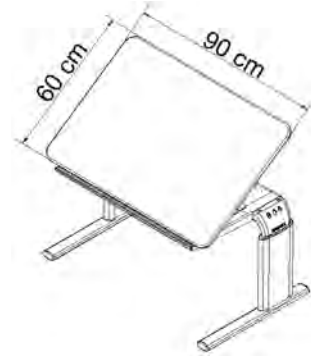


Type A

Vision Table Top - Tilt

Height adjustable manual or electrically operated table.
Can be tilted 0-71°. 900 x 600.

Operation	Height Adjustment	Code Number
Manual	500 - 700mm	P7120063
Manual	600 - 900mm	P7120064
Electric	500 - 700mm	P7120065
Electric	600 - 900mm	P7120066

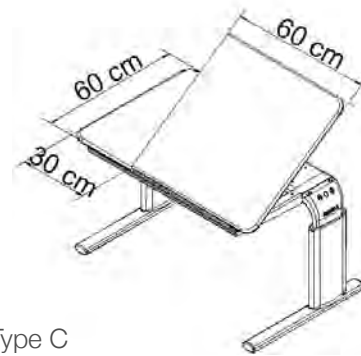


Type B

Vision Table Top - Two piece right hand tilt

Two piece height adjustable manual or electrically operated table. Can be tilted 0-71°. 900 x 600mm.

Operation	Height Adjustment	Code Number
Manual	500 - 700mm	P7120067
Manual	600 - 900mm	P7120068
Electric	500 - 700mm	P7120069
Electric	600 - 900mm	P7120070

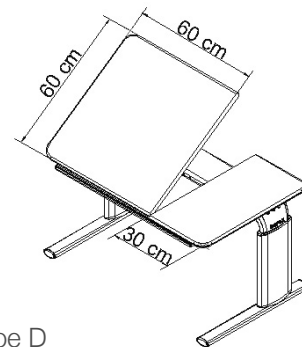


Type C

Vision Table Top - Two piece left hand tilt

Two piece height adjustable manual or electrically operated table. Can be tilted 0-71°. 900 x 600mm

Operation	Height Adjustment	Code Number
Manual	500 - 700mm	P7120071
Manual	600 - 900mm	P7120072
Electric	500 - 700mm	P7120073
Electric	600 - 900mm	P7120074

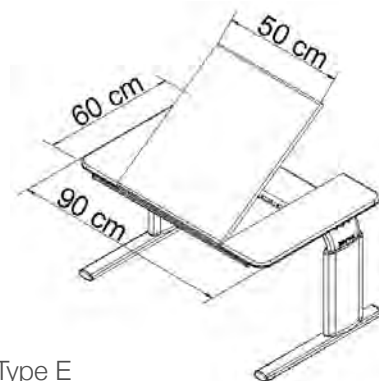


Type D

Vision Table Top - Three piece centre tilt

Three piece raised height adjustable manual or electrically operated table. Can be tilted 0-71°. 900 x 600mm.

Operation	Height Adjustment	Code Number
Manual	500 - 700mm	P7120075
Manual	600 - 900mm	P7120076
Electric	500 - 700mm	P7120077
Electric	600 - 900mm	P7120078

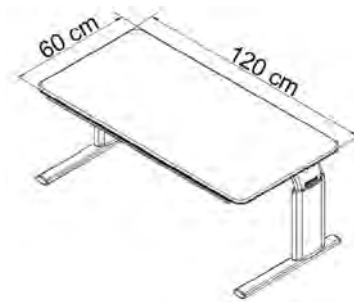


Type E

Vision Table Top

Height adjustable manual or electrically operated table.
1200 x 600mm.

Operation	Height Adjustment	Code Number
Manual	500 - 700mm	P7120079
Manual	600 - 900mm	P7120080
Electric	500 - 700mm	P7120081
Electric	600 - 900mm	P7120082

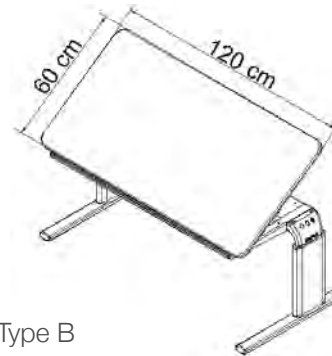


Type A

Vision Table Top - Tilt

Height adjustable manual or electrically operated table.
Can be tilted 0-71°. 1200 x 600mm.

Operation	Height Adjustment	Code Number
Manual	500 - 700mm	P7120083
Manual	600 - 900mm	P7120084
Electric	500 - 700mm	P7120085
Electric	600 - 900mm	P7120086

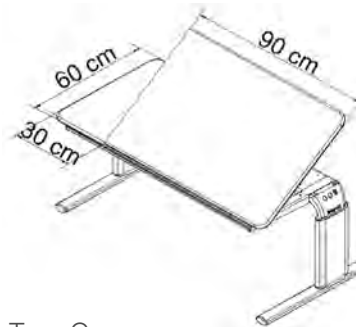


Type B

Vision Table Top - Two piece right hand tilt

Two piece height adjustable manual or electrically operated table. Can be tilted 0-71°. 1200 x 600mm.

Operation	Height Adjustment	Code Number
Manual	500 - 700mm	P7120087
Manual	600 - 900mm	P7120088
Electric	500 - 700mm	P7120089
Electric	600 - 900mm	P7120090

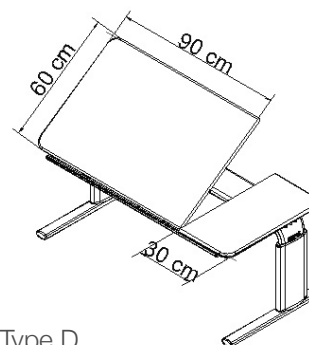


Type C

Vision Table Top - Two piece left hand tilt

Two piece height adjustable manual or electrically operated table. Can be tilted 0-71°. 1200 x 600mm.

Operation	Height Adjustment	Code Number
Manual	500 - 700mm	P7120091
Manual	600 - 900mm	P7120092
Electric	500 - 700mm	P7120093
Electric	600 - 900mm	P7120094

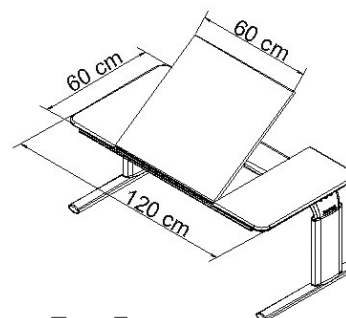


Type D

Vision Table Top - Three piece centre tilt

Three piece height adjustable manual or electrically operated table. Can be tilted 0-71°. 1200 x 600mm.

Operation	Height Adjustment	Code Number
Manual	500 - 700mm	P7120095
Manual	600 - 900mm	P7120096
Electric	500 - 700mm	P7120097
Electric	600 - 900mm	P7120098

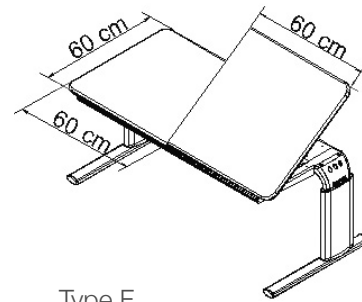


Type E

Vision Table Top - Two piece right hand tilt

Two piece height adjustable manual or electrically operated table. Can be tilted 0-71°. 1200 x 600mm.

Operation	Height Adjustment	Code Number
Manual	500 - 700mm	P7120099
Manual	600 - 900mm	P7120100
Electric	500 - 700mm	P7120101
Electric	600 - 900mm	P7120102

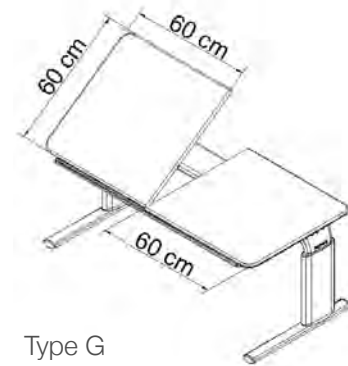


Type F

Vision Table Top - Two piece left hand tilt

Two piece height adjustable manual or electrically operated table. Can be tilted 0-71°. 1200 x 600mm.

Operation	Height Adjustment	Code Number
Manual	500 - 700mm	P7120103
Manual	600 - 900mm	P7120104
Electric	500 - 700mm	P7120105
Electric	600 - 900mm	P7120106

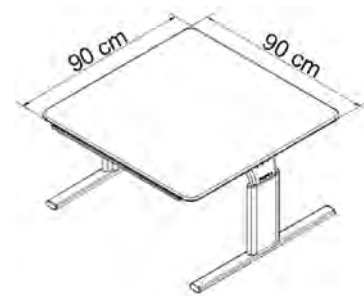


Type G

Vision Table Top

Height adjustable manual or electrically operated table. 900 x 900mm.

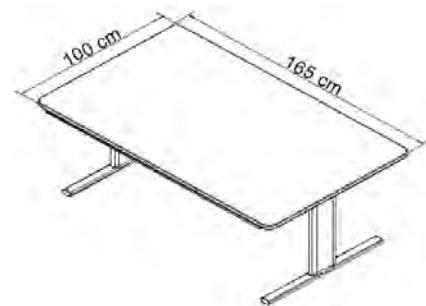
Operation	Height Adjustment	Code Number
Manual	500 - 700mm	P7120107
Manual	600 - 900mm	P7120108
Electric	500 - 700mm	P7120109
Electric	600 - 900mm	P7120110



Vision Group Table Top

Height adjustable manual or electrically operated table. 1650 x 1000mm

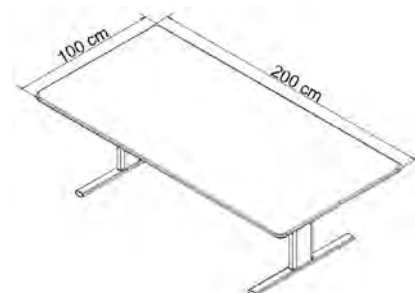
Operation	Height Adjustment	Code Number
Manual	500 - 700mm	P7120111
Manual	600 - 900mm	P7120112



Vision Group Table Top

Height adjustable manual or electrically operated table. 2000 x 1000mm

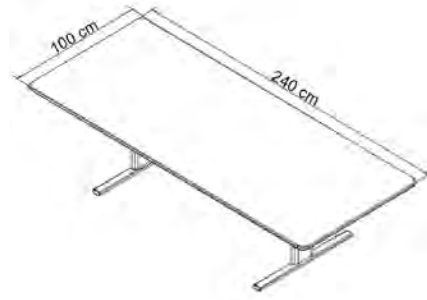
Operation	Height Adjustment	Code Number
Manual	500 - 700mm	P7120113
Manual	600 - 900mm	P7120114



Vision Group Table Top

Two piece raised height adjustable manually operated table.
2400 x 1000mm

Operation	Height Adjustment	Code Number
Manual	500 - 700mm	P7120115
Manual	600 - 900mm	P7120116



Vision Hi Lo Table Top

Height adjustable electrically operated table. 900 x 600mm

Operation	Height Adjustment	Code Number
Electric	620 - 1270mm	P7120133



Vision Hi Lo Table Top - Tilt

Height adjustable electrically operated table.
Can be tilted 0-71°. 900 x 600mm

Operation	Height Adjustment	Code Number
Electric	620 - 1270mm	P7120134



Vision Hi Lo Table Top

Height adjustable electrically operated table. 1200 x 600mm

Operation	Height Adjustment	Code Number
Electric	620 x 1270mm	P7120135



Vision Hi Lo Table Top - Tilt

Height adjustable electrically operated table.
Can be tilted 0-71°. 1200 x 600mm

Operation	Height Adjustment	Code Number
Electric	620 - 1270mm	P7120136



Vision Hi Lo Table Top

Height adjustable electrically operated table. 900 x 900mm

Operation	Height Adjustment	Code Number
Electric	620 - 1270mm	P7120137



Vision Table Top Accessories



Arm support, suitable for both Vision and Vision Hi-Lo adjustable tables, including hook and bag.

Product	Code Number
Clip on Arm Support x 2	P7120117



Spare hook & bag, suitable for both Vision and Vision Hi-Lo adjustable tables.

Product	Code Number
Hook and Bag	P7120118



Lockable arm support including bag and handle, suitable for both Vision and Vision Hi Lo adjustable tables.

Product	Code Number
Lockable Arm Support x2	P7120119



Rail needed for arm support to mount on Vision Group adjustable tables.

Product	Code Number
Rail for 1650mm	P7120120
Rail for 2000mm	P7120121
Rail for 2400mm	P7120122
Rail set Divided for short side 2400mm	P7120123



MagRule - magnetic edge bar, suitable for both Vision and Vision Hi Lo adjustable tables.

Product	Code Number
MagRule 500mm	P7120124
MagRule 300mm	P7120125
White round magnet	P7120126



Castors x 2 with brake, increase height 80mm, suitable for Vision adjustable tables.

Product	Code Number
Castors x 2: 600mm deep table	P7120127
Castors x 2: 1000mm deep table	P7120129
Castors x 2: 900mm deep table	P7120130



Castors x 2 with brake, without increase height, suitable for Vision adjustable tables.

Product	Code Number
Castors x 2: 600mm deep table	P7120128
Castors x 2: 1000mm deep table	P7120131
Castors x 2: 900mm deep table	P7120132



Castors x 2 without increase height, suitable for Vision Hi Lo 600mm adjustable tables.

Product	Code Number
Castors x 2: 600mm deep table	P7120138



Document M

solutions

Document M

Compliance Information	250-253
Specialist Products	254-255

MPacks

Classic Blue Low Level	256-257
Classic Blue Close Coupled	258-259
Plus Pack Low Level	260-261
Plus Pack Close Coupled	262-263
Economy Low Level	264-265
Corporate Close Coupled	266-267
Peninsular Low Level	268-269
Ambulant Close Coupled	270-271
Changing Room	272-273
Changing Places	274-275
W.C. and Shower	276-277
Inclusive Low Level	278-279

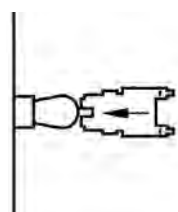


MPacks

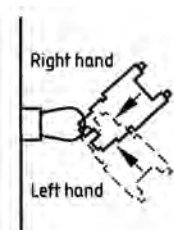
Accessible unisex toilet equipment

Wheelchair users should be able to approach, transfer to, and use the sanitary facilities provided within a building. This requires the provision of a wheelchair accessible unisex toilet and should be compliant with the British Standard, BS 8300 February 2009 + A1: 2010 edition, that focuses on the 'design of buildings and their approaches to meet the needs of disabled people'. N&C Phlexicare Doc MPacks are designed with complete safety and comfort in mind.

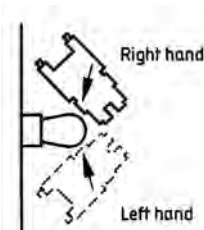
The space provided for manoeuvring, should enable wheelchair users to adopt various transfer techniques that allow independent or assisted use.



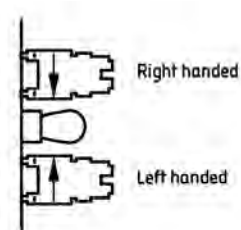
Front transfer, using grab rails to move from wheelchair to W.C.



Oblique transfer, using grab rails and/or grasping W.C.



Lateral transfer, using grab rails and/or grasping W.C. with one wheel backed up to rear wall and the wheelchair at an angle to W.C



Lateral transfer, using grab rails and/or grasping W.C. with both wheels backed up to rear wall and the wheelchair roughly parallel to W.C.

Light reflective values

Visual impairment in users can mean reliance on the use of spatial perception and orientation, such as the skirting-floor and skirting-wall junction for assistance. The contrast in the colours, lighting and surface finish of a room and the components within it play a major role in creating a fully accessible environment. Guidance found in The Building Regulations Approved Document Part M, advises architects and designers working on new build projects or major refurbishment to contrast visually adjacent critical surfaces by selecting colours with a difference in light reflectance value (LRV) of more than 30 points. A test method for measuring the LRV of flat surfaces with opaque materials, including those coated with non-opaque coatings, or coverings and multi-coloured surfaces, is described in BS 8493.



Consideration should also be made for the positioning of equipment for both wheelchair and ambulant users. The BS8300 is very prescriptive in these measurements and requirements. N&C Phlexicare provides these dimensions in technical drawings contained within each MPack box supplied.

Shelving

One large and one small acrylic capped ABS shelves with drainage slots and stainless steel supports.

Lever

The large spatulate lever is ideal for wheelchair users and can be situated on the correct open side of our cistern.

Backrest

With this low level system W.C. N&C Phlexicare supplies a colour contrasted padded backrest.

Drop Down Rail

A sturdy colour co-ordinated drop down rail.

Toilet Seat

A quality toilet seat with high colour contrast, unique stabilising buffers, plus stainless steel hinges for added strength.

Raised Height Pan

At 480mm to the top of the seat, this large footprint pan offers the ultimate in stability.

Colour Contrast

Colour contrast is an important design consideration of your Document M Accessible Toilet, ensuring that the grab rails and seat are highly visible to users with visual impairments.

Cistern complete with screw down lid for extra safety and security.

Audio/Visual Alarm with Visible Reset Button

The Phlexicare emergency alarm has a red pull cord plus the required two red 50mm bangles. (BS8300 February 2009).

Accessories

This package consists of automatic hand dryer, soap, paper towel and toilet tissue dispensers. All are easy to use and durable.

Grab Rails

An ergonomic design with a slip-resistant grip, non-conductive, deep blue for colour contrast & concealed fixings. The 5th grab rail is fitted to the inside of the toilet door.

Thermostatic Mixer Tap

This TMV3 Thermostatic basin mixer tap is an integrated solution that will prevent hand scalding.

Basin

The gently rounded basin with a fully glazed underside, is ideal for wheelchair users and handed tapholes enable the correct positioning of the tap nearest to the W.C. pan.

Extra Basin Bracket

An extra basin bracket is supplied with the Classic MPack for added support.



Two clothes hooks, one should be positioned at 1050mm and the other positioned at 1400mm above the floor.
Stainless steel mirror 1000mm x 400mm.
The above items are fitted on the opposite wall to the basin.

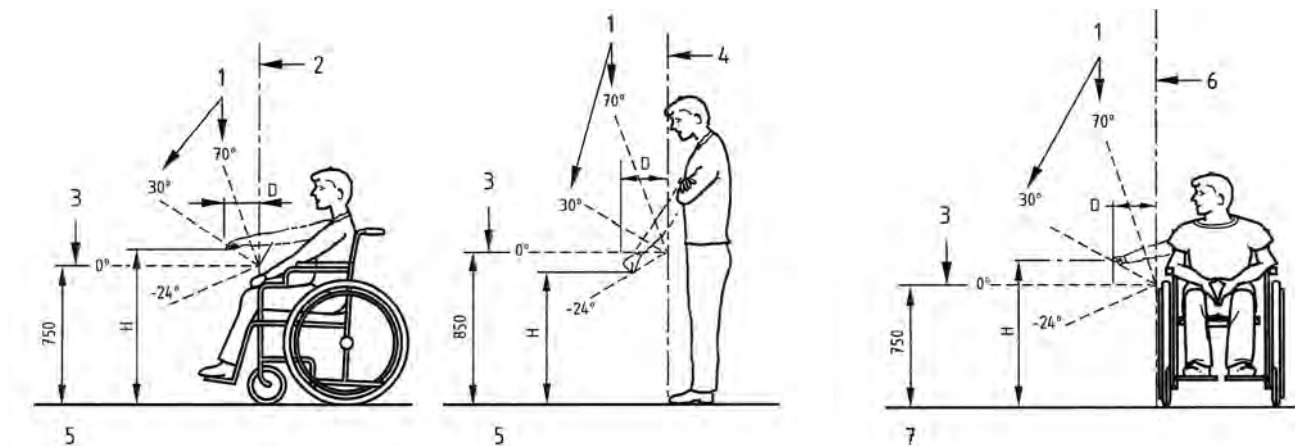
Reach Ranges

Extensive research has been carried out on reaching activities for wheelchair users and ambulant disabled in everyday activities. This has particular relevance for Document M toileting and the positioning of all equipment and accessories, for example the relationship of the W.C. to the finger rinse basin and other accessories should allow a person to wash and dry hands while seated on the W.C. If these measurements have not been adhered to, it may render the installation non compliant.

There are two reach ranges, which are intended to relate to the physical demands of an activity or action in terms of its precision or how often it is normally carried out.

A) Comfortable reach range - Determined by the capability of a person to reach in a comfortable and relaxed manner without stretching or bending from the waist and is appropriate for an activity that requires precision in its execution and is frequently performed.

B) Extended reach range - Determined by the capability of a person to reach when stretching and/or bending the body and is appropriate for an activity that does not require precision and is infrequently performed.



- 1 Reach angles
- 2 Vertical reference plane (from front of seat)
- 3 Horizontal reference plane
- 4 Vertical reference plane (from toes)
- 5 Front access
- 6 Vertical reference plane (from wheel)
- 7 Side access

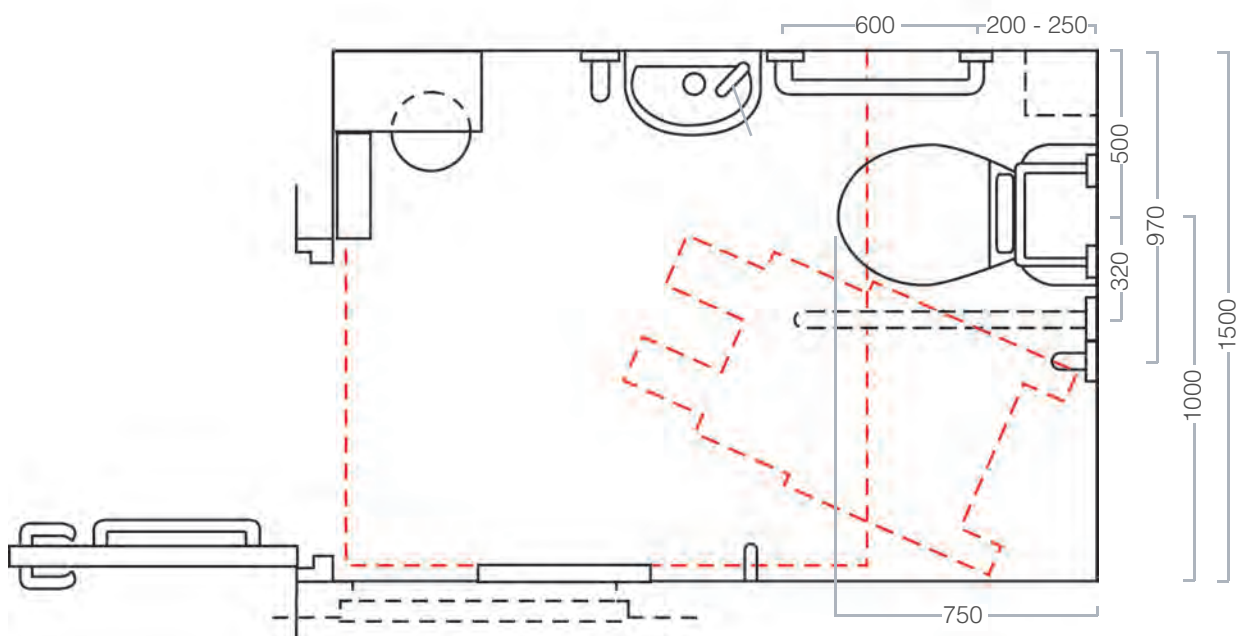
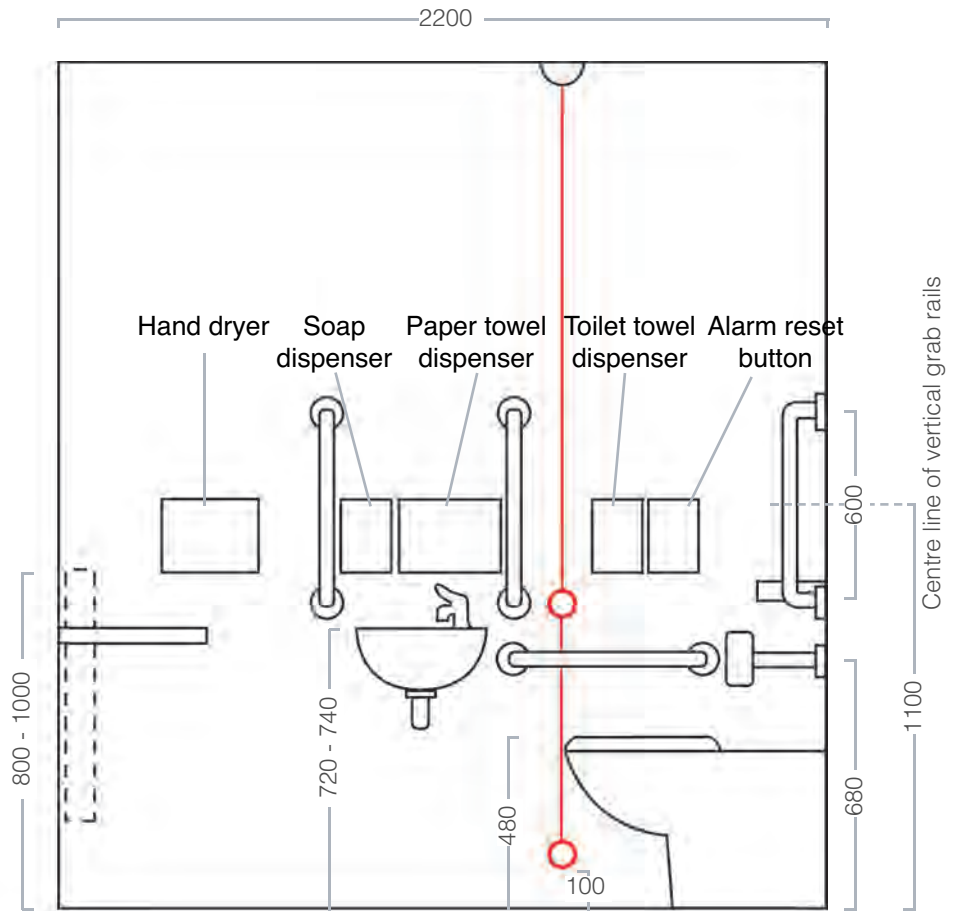
Person	Access	Reach Angle	Height (H) mm		Depth (D) mm	
			Comfortable	Extended	Comfortable	Extended
Wheelchair	Front	+70°	1000	1150	90	120
		horizontal	(750)	(750)	180	230
		-24°	650	650	120	200
	Side	+70°	1060	1170	100	135
		horizontal	(750)	(750)	220	310
		-24°	665	630	165	230
Ambulant disabled	Front	+70°	1500	1625	200	250
		horizontal	(850)	(850)	280	450
		-24°	750	700	180	310

The table shows the dimensions, which are for reach at right angles to the vertical reference plane, are for height and the associated depth from the horizontal reference plane. The dimensions shown in the table represent the reach capabilities of 90% of the sample of wheelchair users and ambulant disabled people who took part in the trials.

N&C Phlexicare MPack

These drawings are fully compliant with BS8300. They show the dimensions as well as the location of sanitaryware and other fittings, for the standard unisex accessible corner W.C.

Failure to adhere to the BS8300 February 2009 +A1: 2010 standard will result in the installation being non compliant. Eg: Use of a centre taphole basin would render installation instantly non-compliant.



Wheelchair turning space 1500 x 1500mm

Specialist Products

N&C Phlexicare realise how time consuming it would be for a specifier to source all of the products to meet the requirements. Indeed, some of the products did not even exist until we decided to manufacture them specifically to meet the necessary criteria. With a several million pound stockholding and depots throughout the UK, we aim to provide the majority of products ex-stock for immediate delivery.

N&C Pentland Pan

Designed specifically to meet the height requirements of BS8300 and Approved Document 'M' this exclusive pan has the additional feature of a large footprint. This is beneficial in providing added stability and when used as a replacement to an existing pan, the large footprint could mean that the existing flooring may not need to be replaced.

NB not applicable to the Economy MPack.



N&C Pentland Low Level Cistern

All of our low level MPacks are supplied with a handed cistern, which enables the spatulate flushing lever to be situated on the correct (transfer) side of the pan. For additional safety the cistern is supplied with a screw down lid.

N&C Pentland Close Coupled Cistern

In addition to handing features discussed above our Close Coupled MPacks have a screw down lid which offers additional support and meets the requirements of BS8300.



Audio Visual Alarm

Specifically designed to fully comply, visual and audible feedback should be provided to indicate that, when the alarm has been operated, the emergency assistance call has been acknowledged and is being actioned. An emergency assistance pull cord (coloured red) should be provided with two red bangles of 50mm diameter, one set at a height of between 800mm and 1000mm and the other set at 100mm above the floor level. This pull cord should never be tied up out of reach.

The Advanced Toilet Seat

Great stress is applied to the toilet seat when transferring laterally from a wheelchair, therefore it is essential to provide a strong seat capable of withstanding this treatment. Our seat has strong stainless steel hinges, lugs, which grip the inside of the pan to give added strength and has built in anti-microbial protection. Where a seat with a cover is chosen, this lid also offers useful lumbar support, when combined with a close coupled suite. This would not impede transfer as the lid sits further back than the leading edge of the flushing lever.



N&C Pentland Handrinse Basin

It is very important to use a wash basin capable of positioning the tap nearest to the W.C., so that it can be easily reached by someone seated on the W.C.

According to the research leading to the publication of BS8300, the advantage of side mounting is that it is easier to wash out urine bottles (a procedure which would be impossible with a centralised tap).

Shelves

Another pair of products that had to be specially manufactured to meet the requirements are the two shelves, one generally used for colostomy bags. We realized that most shelves fabricated on site would soon become a health hazard. Ours have drainage slots for cleaning in situ, but can be removed or replaced when necessary and are mounted onto stainless steel supports.





Thermostatic Mixer Tap

A completely integrated solution to prevent hand scalding, this sequential Thermostatic Basin Mixer Tap (TMV3) is suitable for use with wash basins in all public areas. There is no need for a separate Thermostatic Mixing Valve as temperature is regulated internally.

Spray Mixer Tap

Our sequential spray mixer tap is ideal for a handrinse basin and is considered an enhancement to the up, down, left and right minimum requirement. When combined with our TMV3 thermostatic mixer valve, one half turn of the lever will result in a temperature no higher than the required 41°.



MPack Box

All of our MPacks are supplied in a sturdy box for your convenience. We also supply the dimensional fixing drawing to ensure the equipment is positioned correctly to conform with the British Standard.



Product	Code Number
Colostomy Bag Shelf, small	P6820411
Colostomy Bag Shelf, large	P6820413



Product	Code Number
Adjustable Waste Bracket	P7004013



Product	Code Number
Chrome Plastic Bottle Trap	S2372001



Product	Code Number
Audio/Visual Alarm	P6441001



Product	Code Number
Blue Back Support & Rail	P6850415
White Back Support & Rail	P6850416
White Backrest Rail	P6856701



Product	Code Number
Blue Hat & Coat Hooks	H0585005



Product	Code Number
Thermostatic Mixing Valve	S7007364



Product	Code Number
Automatic Hand Dryer	S2939003



Product	Code Number
Toilet Tissue Dispenser	S2944001



Product	Code Number
Paper Towel Dispenser	P6834301



Product	Code Number
Soap Dispenser	P6834201



Product 1000 x 400mm	Code Number
Stainless Steel Mirror	P6834111
Acrylic Mirror	P6834131



Classic Blue MPack

Low Level Cistern

Our fully compliant, Classic Blue Low Level Doc MPack has been ergonomically designed with safety and comfort of users in mind. Our most comprehensive Mpack comes complete with TMV3 approved thermostatic mixer and co-ordinated accessories, whilst also offering visual contrast for visually impaired users for safe and easy manoeuvring. The Classic Blue Low Level Pack offers a wide range of transfer possibilities to suit individual requirements, to ensure full compliance with both the Building Regulations Approved Document M 2015 Edition and BS 8300 2009 +A1 :2010.



Features and Benefits:

- Fully BS800 compliant (updated February 2009)
- Complete co-ordination between accessories
- Handed basin
- Elegant raised height pan
- Luxury padded backrest
- Ergonomic designed toilet seat
- Easy operation dual flush lever 6/4ltr
- Screw down lid on cistern
- Delivered in one box
- Fully compliant audio/visual alarm (Feb 2009)
- TMV3 thermostatic basin mixer incorporating environmental water saving spray action
- ABS grab rails ensures no rotting, rust or corrosion

Cistern lever should be installed on the right of the cistern for LH installation and on the left for a RH installation. (Left hand illustrated.)

There must be visual contrast between the wall and floor finishes. The wall finish must also contrast with the sanitaryware and grab rails. Lever action tap supplied.

The basin must be handed left and right to enable the tap to be fitted nearest to the W.C. Failure to achieve this will render the installation non-compliant.

Doors should be fitted with light action privacy bolts with emergency release mechanisms or N&C Phlexicare Radar locks supplied by N&C under the Radar National key scheme.

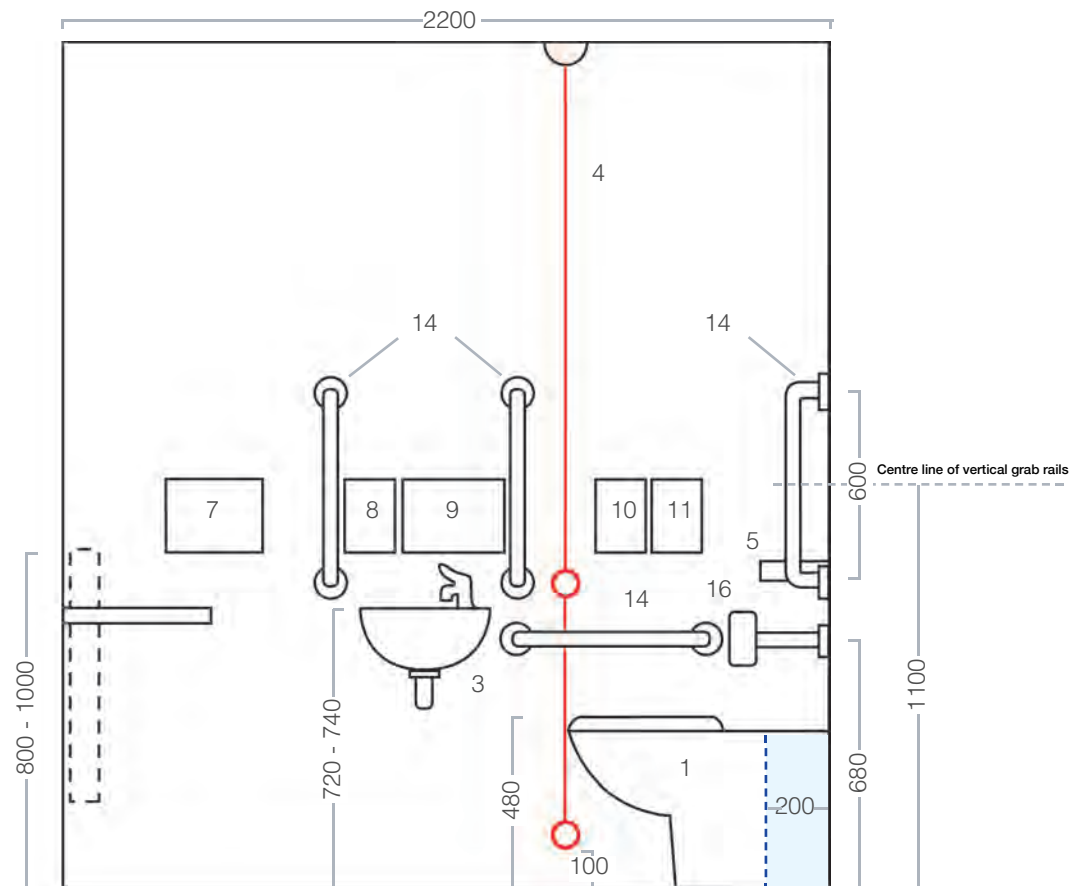
All doors, alarms, Equality Act compliant handles & associated Ironmongery can all be obtained from N&C. An emergency assistance alarm must have:

1. Visual and audible indicators confirming the emergency call has been received.

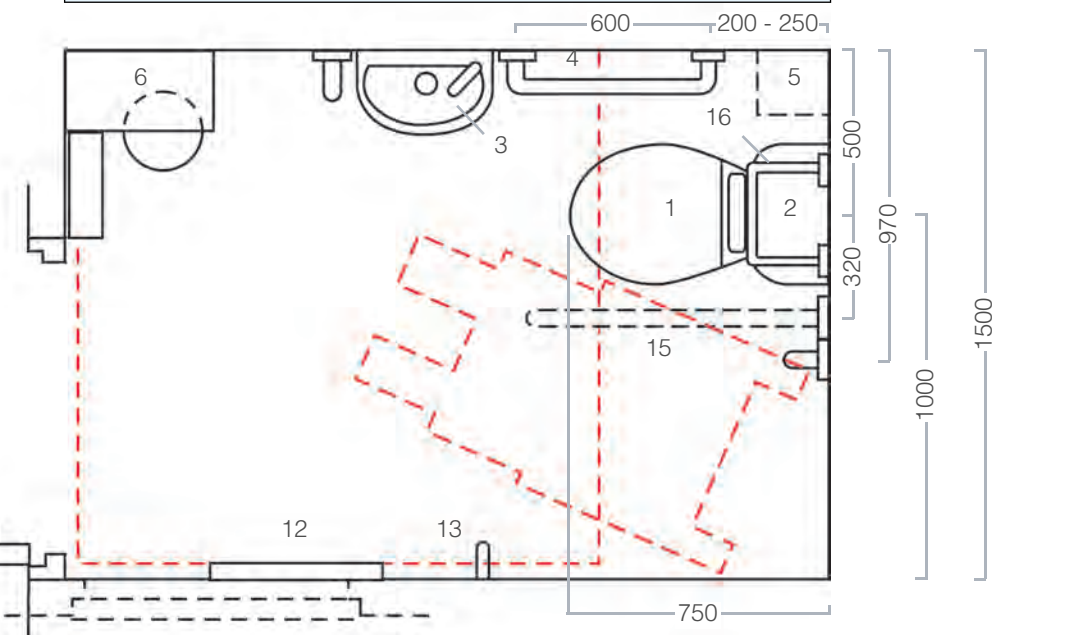
2. A reset control reachable from the W.C. pan or a wheelchair - shower seat.

3. A signal that is distinguishable visually and audibly from the fire alarm.

4. A red alarm cord with two rings, one set between 800mm to 1000mm and the other 100mm above the floor surface.



The W.C. pan can be installed as a standard low level configuration with exposed cistern. To achieve this install the W.C. 200mm off the wall. If required the void left could be filled by our laminate spacer box unit see page 170



Classic Blue Low Level

P6830056

1	Pentland Low Level Raised Height Pan
1	Blue Seat only (Advanced)
2	Pentland Reversible Cistern with Screw Down Lid
2	6 litre Cistern Fitting Pack Dual Flush
2	Chrome Plated Spatulate Flush Lever
2	White 760 x 305mm Flush Bend
3	Pentland Hand Basin 395 x 340mm
3	White Plastic Taphole Stopper
3	Concealed Basin Hanger Brackets-Pair
3	Waste Support Bracket
3	Chrome Thermostatic Mono Basin Mixer - Lever Operation
3	Chrome 32mm Grated Waste
3	Chrome 32mm Plastic Bottle Trap

4	Phlexicall Audio Visual Alarm, 2 Pull Rings
5	White Plastic Colostomy Bag Shelf, Small
6	White Plastic Colostomy Bag Shelf, Large
7	Automatic Hand Dryer
8	Soap Dispenser
9	Paper Towel Dispenser
10	Toilet Tissue Dispenser
11	Alarm Reset Button
12	Stainless Steel Mirror 1000 x 400mm
13	Blue Clothes Hooks x 2
14	Blue Fluted 600 x 35mm Grab Rails x 5
15	Blue Folding Rail 850mm
16	Blue Backrest Padded 400 x 250mm



Classic Blue MPack

Close Coupled

Our fully compliant, Close coupled Doc MPack. Our most comprehensive MPack that also comes complete with TMV3 approved thermostatic mixer and co-ordinated accessories, whilst also offering visual contrast for visually impaired users for safe and easy manoeuvring. The Classic Blue Close Coupled Pack offers a wide range of transfer possibilities to suit individual requirements, to ensure full compliance with both the Building Regulations Approved Document M 2015 Edition and BS 8300 2009 +A1 :2010.



Features and Benefits:

- Ultimate MPack
- Fully BS8300 compliant (updated February 2009)
- Highest quality materials used throughout
- Complete co-ordination between accessories
- Handed wash basin
- Attractive close coupled design
- Elegant raised height pan
- Ergonomic designed toilet seat
- Easy operation dual flush lever 6/4ltr
- Screw down lid on cistern
- Delivered in one box
- Fully compliant audio/visual alarm (Feb 2009)
- TMV3 thermostatic basin mixer incorporating environmental water saving spray action
- ABS grab rails ensures no rotting, rust or corrosion

Cistern lever should be installed on the right of the cistern for LH installation and on the left for a RH installation. (Left hand illustrated.)

There must be visual contrast between the wall and floor finishes. The wall finish must also contrast with the sanitary ware and grab rails. Lever action tap supplied.

The basin must be handed left and right to enable the tap to be fitted nearest to the W.C. Failure to achieve this will render the installation non-compliant.

Doors should be fitted with light action privacy bolts with emergency release mechanisms or N&C Phlexicare Radar locks supplied by N&C under the Radar National key scheme.

All doors, alarms, Equality Act compliant handles & associated Ironmongery can all be obtained from N&C.

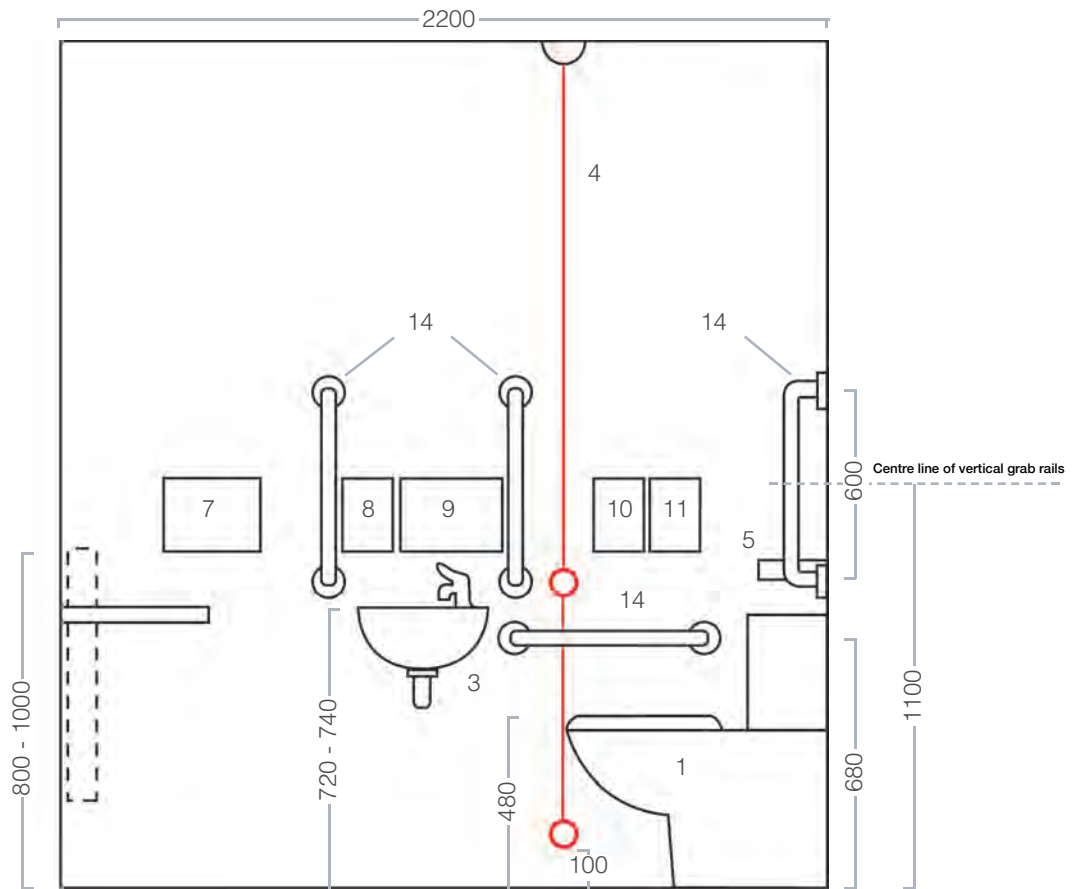
An emergency assistance alarm must have:

1. Visual and audible indicators confirming the emergency call has been received.

2. A reset control reachable from the W.C. pan or a wheelchair - shower seat.

3. A signal that is distinguishable visually and audibly from the fire alarm.

4. A red alarm cord with two rings, one set between 800mm to 1000mm and the other 100mm above the floor surface.

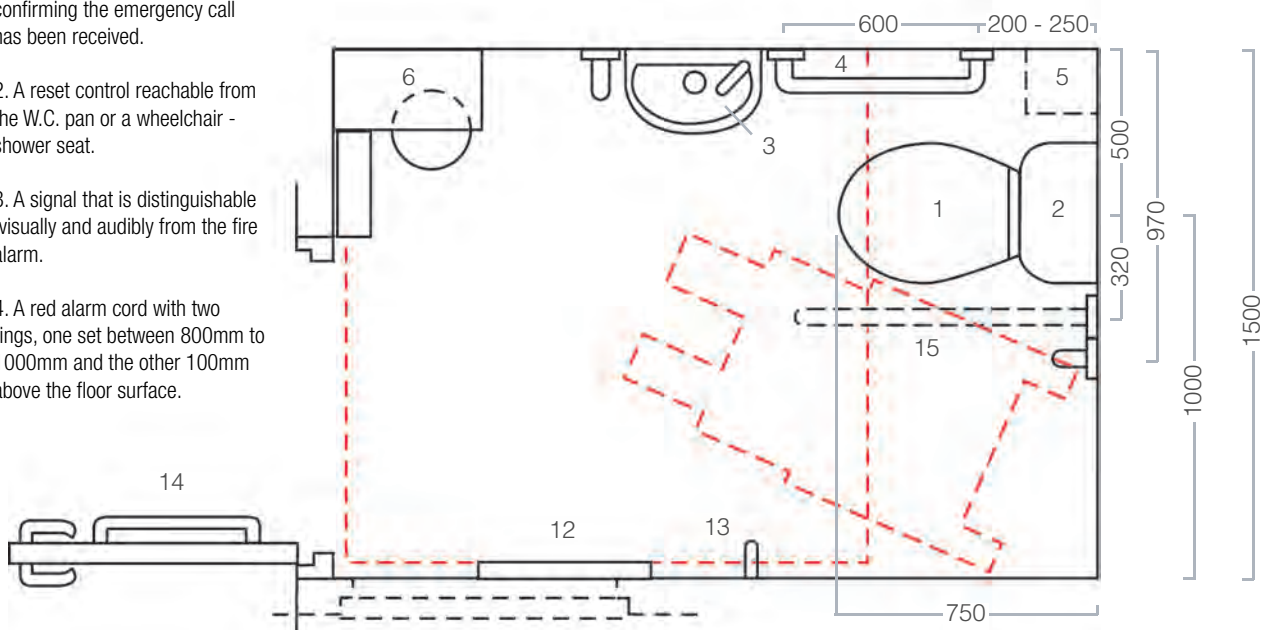


1. Visual and audible indicators confirming the emergency call has been received.

2. A reset control reachable from the W.C. pan or a wheelchair - shower seat.

3. A signal that is distinguishable visually and audibly from the fire alarm.

4. A red alarm cord with two rings, one set between 800mm to 1000mm and the other 100mm above the floor surface.



Classic Blue Close Coupled

P6830057

1	Pentland Close Coupled Raised Height Pan
1	Blue Seat and Cover (Advanced)
2	Pentland Reversible Cistern with Screw Down Lid
2	6 litre Fitting Pack with Spatulate Lever - Dual Flush
3	Pentland Hand Basin 395 x 340mm
3	White plastic tap hole stopper
3	Concealed Basin Hanger Brackets-Pair
3	Waste Support Bracket
3	Chrome Thermostatic Mono Basin Mixer - Lever Operation
3	Chrome 32mm Grated Waste
3	Chrome Plastic Bottle Trap
4	Phlexicall Audio Visual Alarm, 2 Pull Rings

5	White Plastic Colostomy Bag Shelf, Small
6	White Plastic Colostomy Bag Shelf, Large
7	Automatic Hand Dryer
8	Soap Dispenser
9	Paper Towel Dispenser
10	Toilet Tissue Dispenser
11	Alarm Reset Button
12	Stainless Steel Mirror 1000 x 400mm
13	Blue Clothes Hooks x 2
14	Blue Fluted 600 x 35mm Grab Rails x 5
15	Blue Folding Rail 850mm



Plus Pack MPack

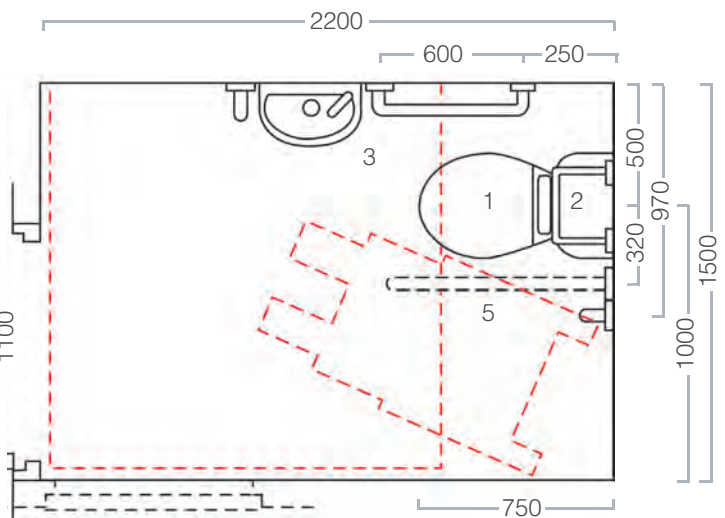
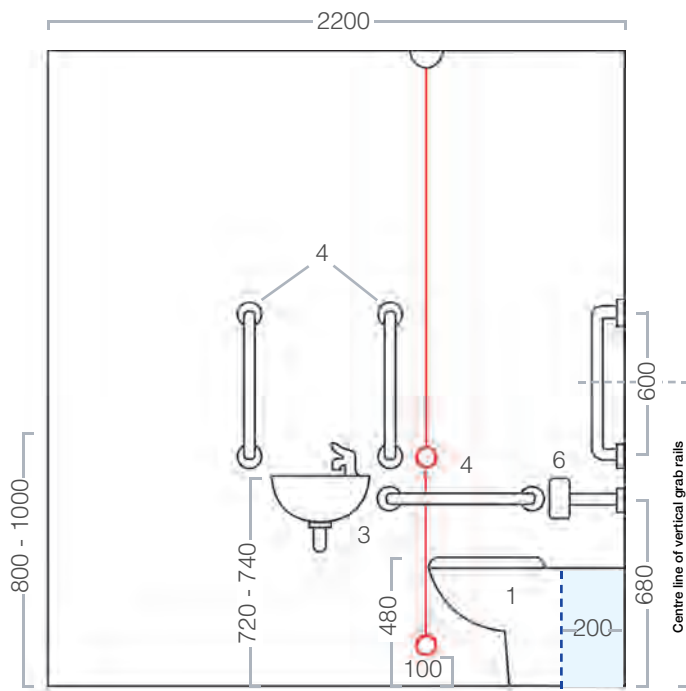
Low Level Cistern

Our Plus Pack MPack comes complete with TMV3 approved thermostatic mixer and extra strong W.C. seat including anti-bacterial protection. This pack is supplied without accessories making it ideal for those occasions where the ancillary items are to be supplied by a third party or leasing company. Wheelchair users should be able to approach, transfer to and use the sanitary facilities provided within a building. This requires the provision of a wheelchair accessible unisex toilet.



Features and Benefits:

- BS8300 compliant (updated February 2009)
- Highest quality materials used throughout
- Complete co-ordination between accessories
- Handed wash basin
- Elegant raised height pan
- Luxury padded backrest
- Ergonomic designed toilet seat
- Easy operation dual flush lever 6/4ltr
- Screw down lid on cistern
- TMV3 thermostatic basin mixer incorporating environmental water saving spray action
- ABS grab rails ensures no rotting, rust or corrosion



The W.C. pan can be installed as a standard low level configuration with exposed cistern. To achieve this install the W.C. 200mm off the wall. If required the void left could be filled by our laminate spacer box unit see page 170.

Cistern lever should be installed on the right of the cistern for LH installation and on the left for a RH installation. (Left hand illustrated.) There must be visual contrast between the wall and floor finishes. The wall finish must also contrast with the sanitaryware and grab rails. Lever action tap supplied.

The basin must be handed left and right to enable the tap to be fitted nearest to the W.C. Failure to achieve this will render the installation non-compliant. Doors should be fitted with light action privacy bolts with emergency release mechanisms or N&C Phlexicare Radar locks supplied by N&C under the Radar National key scheme.

All doors, alarms, Equality Act compliant handles & associated Ironmongery can all be obtained from N&C.

An emergency assistance alarm must have:

1. Visual and audible indicators confirming the emergency call has been received.
2. A reset control reachable from the W.C. pan or a wheelchair - shower seat.
3. A signal that is distinguishable visually and audibly from the fire alarm.
4. A red alarm cord with two rings, one set between 800mm and 1000mm and the other 100mm above the floor surface.

Blue Low Level Plus

P6830052

1	Pentland Low Level Raised Height Pan
1	Blue Seat only (Advanced)
2	Pentland Reversible Cistern with Screw Down Lid
2	6 litre Cistern Fitting Pack Dual Flush
2	Chrome Plated Spatulate Flush Lever
2	White Flushbend 760 x 305mm
3	Pentland Hand Basin 395 x 340mm
3	White Plastic Taphole Stopper
3	Concealed Basin Hanger Brackets-Pair
3	Waste Support Bracket

3	Chrome Spray Mixer Tap - Lever Operation
3	Thermostatic Mixing Valve 15mm
3	Chrome 32mm Grated Waste
3	Chrome 32mm Plastic Bottle Trap
4	Blue Fluted 600 x 35mm Grab Rails x 5
5	Blue Folding Rail 850mm
6	Blue Backrest Padded 400 x 250mm

For accessories see page 255.

White Low Level Plus

P6830047

1	Pentland Low Level Raised Height Pan
1	White Seat only (Advanced)
2	Pentland Reversible Cistern with Screw Down Lid
2	6 litre Cistern Fitting Pack Dual Flush
2	Chrome Plated Spatulate Flush Lever
2	White Flushbend 760 x 305mm
3	Pentland Hand Basin 395 x 340mm
3	White Plastic Taphole Stopper
3	Concealed Basin Hanger Brackets-Pair
3	Waste Support Bracket

3	Chrome Spray Mixer Tap - Lever Operation
3	Thermostatic Mixing Valve 15mm
3	Chrome 32mm Grated Waste
3	Chrome 32mm Plastic Bottle Trap
4	White ABS 600mm Grab Rails x 5
5	White Titan Single Folding 750mm Rail
6	White Backrest Rail 400 x 250mm
6	White Padded Backrest

For accessories see page 255.



Plus Pack MPack

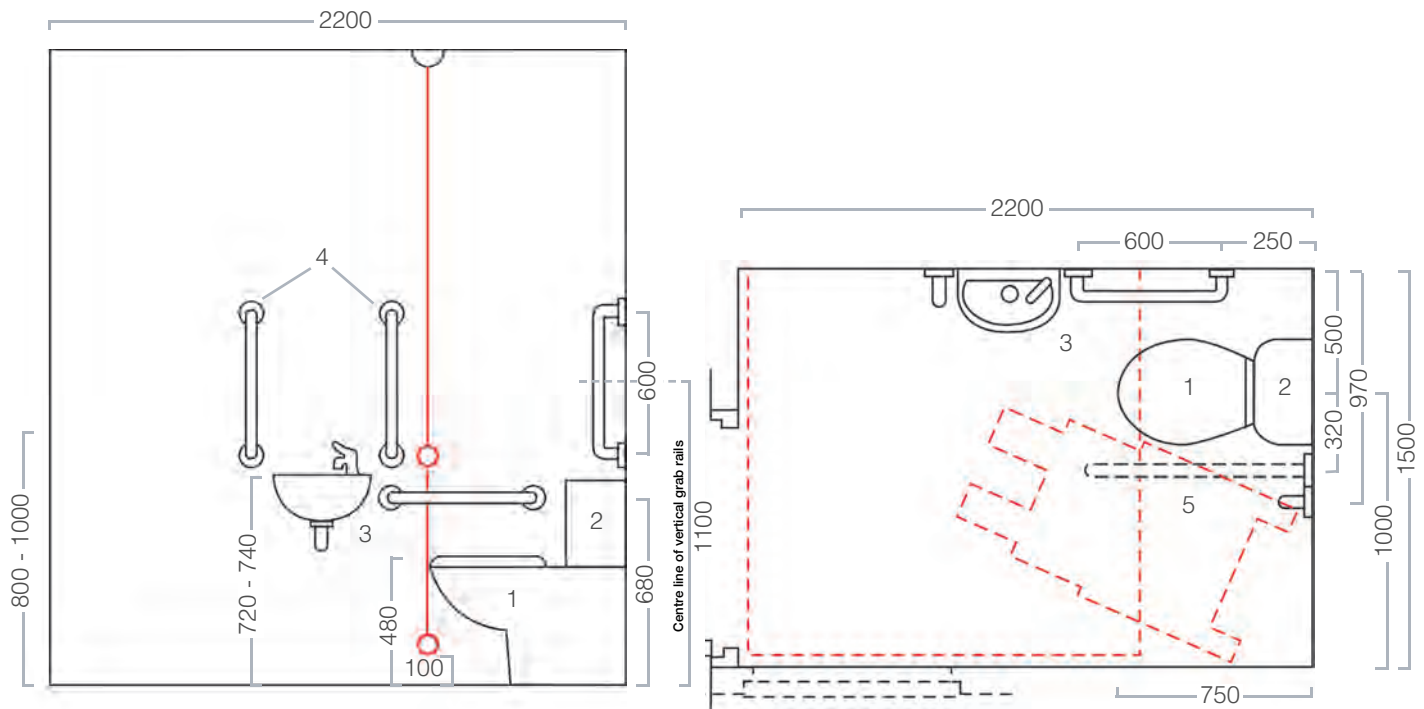
Close Coupled

A complete special needs washroom solution, with TMV3 approved thermostatic mixer and extra strong W.C. seat which includes anti-bacterial protection. Also comprising a close coupled W.C. with the required screw down cistern cover. This pack is supplied without accessories making it ideal for those occasions where the ancillary items are to be supplied by a third party or leasing company.



Features and Benefits:

- BS8300 compliant (updated February 2009)
- Highest quality materials used throughout
- Complete co-ordination between accessories
- Handed wash basin
- Attractive close coupled design
- Elegant raised height pan
- Ergonomic designed toilet seat
- Easy operation dual flush lever 6/4ltr
- Screw down lid on cistern
- Delivered in one box
- TMV3 thermostatic basin mixer incorporating environmental water saving spray action
- ABS grab rails ensures no rotting, rust or corrosion



Cistern lever should be installed on the right of the cistern for LH installation and on the left for a RH installation. (Left hand illustrated.) There must be visual contrast between the wall and floor finishes. The wall finish must also contrast with the sanitary ware and grab rails. Lever action tap supplied. The basin must be handed left and right to enable the tap to be fitted nearest to the W.C. Failure to achieve this will render the installation non-compliant. Doors should be fitted with light action privacy bolts with emergency release mechanisms or N&C Phlexicare Radar locks supplied by N&C under the Radar National key scheme.

All doors, alarms, Equality Act compliant handles & associated Ironmongery can all be obtained from N&C.

An emergency assistance alarm must have:

1. Visual and audible indicators confirming the emergency call has been received.
2. A reset control reachable from the W.C. pan or a wheelchair - shower seat.
3. A signal that is distinguishable visually and audibly from the fire alarm.
4. A red alarm cord with two rings, one set between 800mm and 1000mm and the other 100mm above the floor surface.

Blue Close Coupled Plus **P6830051**

1	Pentland Close Coupled Raised Height Pan
1	Blue Seat and Cover (Advanced)
2	Pentland Reversible Cistern with Screw Down Lid
2	6 litre Fitting Pack with Spatulate Lever
3	Pentland Hand Basin 395 x 340mm
3	White Plastic Taphole Stopper
3	Concealed Basin Hanger Brackets - Pair
3	Waste Support Bracket

3	Chrome Spray Mixer Tap - Lever Operation
3	Thermostatic Mixing Valve 15mm
3	Chrome 32mm Grated Waste
3	Chrome 32mm Plastic Bottle Trap
4	Blue Fluted 600 x 35mm Grab Rails x 5
5	Blue Folding Rail 850mm

For accessories see page 255.

White Close Coupled Plus **P6830053**

1	Pentland Close Coupled Raised Height Pan
1	White Seat and Cover (Advanced)
2	Pentland Reversible Cistern with Screw Down Lid
2	6 litre Fitting Pack with Spatulate Lever
3	Pentland Hand Basin 395 x 340mm
3	White Plastic Taphole Stopper
3	Concealed Basin Hanger Brackets-Pair
3	Waste Support Bracket

3	Chrome Spray Mixer Tap - Lever Operation
3	Thermostatic Mixing Valve 15mm
3	Chrome 32mm Grated Waste
3	Chrome 32mm Plastic Bottle Trap
4	White ABS 600mm Grab Rails x 5
5	White Folding Rail 750mm

For accessories see page 255.



Economy MPack

Low Level Cistern

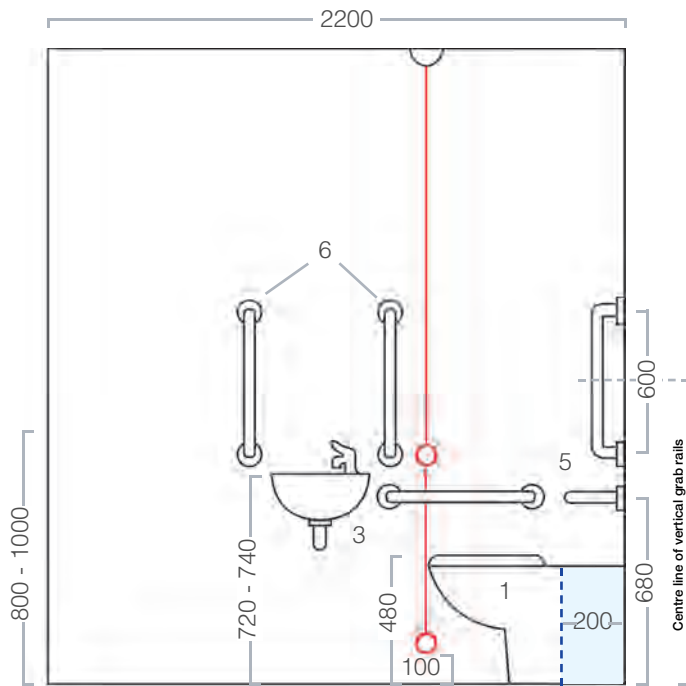
Where compliance is paramount, but cost is prohibitive when refurbishing existing installations, we have produced the N&C Phlexicare Economy MPack, along with the necessary accessories to meet the requirements.

Please note, however, that to provide adequate visual contrast, some thought will need to be given to the colours of wall and floor finishes.

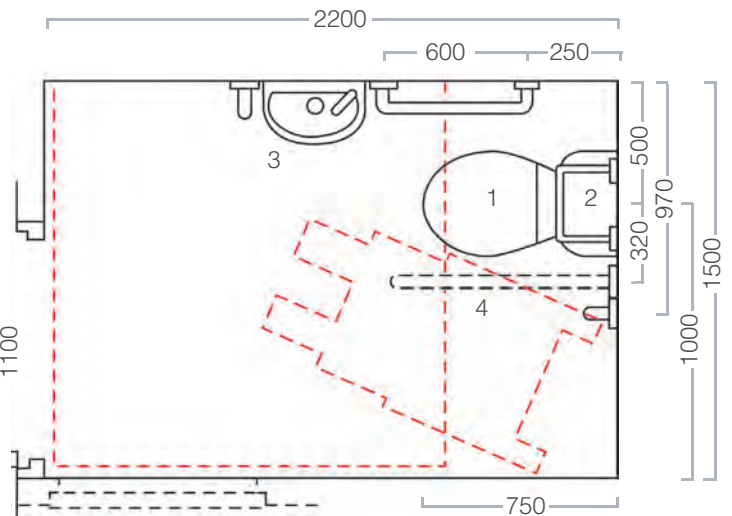


Features and Benefits:

- Easy installation
- Co-ordinating grab rails and sanitaryware
- Fully compliant Document M Pack (when all extras are fitted)
- Budget Document M solution with no compromise on quality or compliance
- Handed wash basin
- Stainless steel hinge on seat
- Drop down rail locks in upright position



The W.C. pan can be installed as a standard low level configuration with exposed cistern. To achieve this install the W.C. 200mm off the wall.



Cistern lever should be installed on the right of the cistern for LH installation and on the left for a RH installation. (Left hand illustrated.)
 There must be visual contrast between the wall and floor finishes.
 The wall finish must also contrast with the sanitaryware and grab rails.
 Lever action tap supplied.
 The basin must be handed left and right to enable the tap to be fitted nearest to the W.C. Failure to achieve this will render the installation non-compliant.
 Doors should be fitted with light action privacy bolts with emergency release mechanisms or N&C Phlexicare Radar locks supplied by N&C under the Radar National key scheme.

All doors, alarms, Equality Act compliant handles & associated Ironmongery can all be obtained from N&C.
 An emergency assistance alarm must have:
 1. Visual and audible indicators confirming the emergency call has been received.
 2. A reset control reachable from the W.C. pan or a wheelchair - shower seat.
 3. A signal that is distinguishable visually and audibly from the fire alarm.
 4. A red alarm cord with two rings, one set between 800mm and 1000mm and the other 100mm above the floor surface.

White Economy Low Level		P6830063	
1	BSS Low Level Raised Height Pan	3	Concealed Basin Hangers - Pair
1	White Seat, no Cover	3	Chrome Spray Mixer Tap - Lever Operation
2	Pentland Reversible Cistern	3	Chrome 32mm Grated Waste
2	6 litre Cistern Fitting Pack	4	White Single Folding Rail 750mm
2	Chrome Spatulate Flush lever	5	White Backrest Rail 400 x 250mm
2	White Flushbend 760 x 305mm	6	White ABS 600 x 35mm Grab Rails x 5
3	Pentland Hand Basin 395 x 340 mm		
3	White Plastic Taphole Stopper		

For accessories see page 255.

Blue Economy Low Level		P6830064	
1	BSS Low Level Raised Height Pan	3	Concealed Basin Hanger Brackets - Pair
1	Blue Seat (Advanced) no Cover	3	Chrome Spray Mixer Tap - Lever Operation
2	6 litre Cistern Fitting Pack	3	Chrome 32mm Grated Waste
2	Chrome Plated Spatulate Flush Lever	4	Blue Twin Folding Rail 750mm
2	Pentland Reversible Cistern	5	Blue Backrest Rail 400 x 250mm
2	White Flush Bend 760 x 305mm	6	Blue Fluted 600 x 35mm Grab Rails x 5
3	Pentland Hand Basin 395 x 340mm		
3	White Plastic Taphole Stopper		

For accessories see page 255.



Corporate MPack

Close Coupled Cistern

Whilst incorporating all the features of a fully compliant Document M pack, our Corporate MPack, is ideal for a more stylish aesthetic. Incorporates white and chrome finishes, perfect for accessible toilet facilities within an office, hotel, club or restaurant where a more luxurious aesthetic is required.



Features and Benefits:

- Ultimate MPack
- BS8300 compliant (updated February 2009)
- Highest quality materials used throughout
- Complete co-ordination between accessories
- Handed wash basin
- Attractive close coupled design
- Elegant raised height pan
- Ergonomic designed toilet seat
- Easy operation dual flush lever 6/4ltr
- Screw down lid on cistern
- Delivered in one box
- Fully compliant audio/visual alarm (Feb 2009)
- TMV3 thermostatic basin mixer incorporating environmental water saving spray action
- Chrome plated grab rails

Cistern lever should be installed on the right of the cistern for LH installation and on the left for a RH installation. (Left hand illustrated.)

There must be visual contrast between the wall and floor finishes. The wall finish must also contrast with the sanitaryware and grab rails. Lever action tap supplied.

The basin must be handed left and right to enable the tap to be fitted nearest to the W.C. Failure to achieve this will render the installation non-compliant.

Doors should be fitted with light action privacy bolts with emergency release mechanisms or N&C Phlexicare Radar locks supplied by N&C under the RadarNational key scheme.

All doors, alarms, Equality Act compliant handles & associated Ironmongery can all be obtained from N&C.

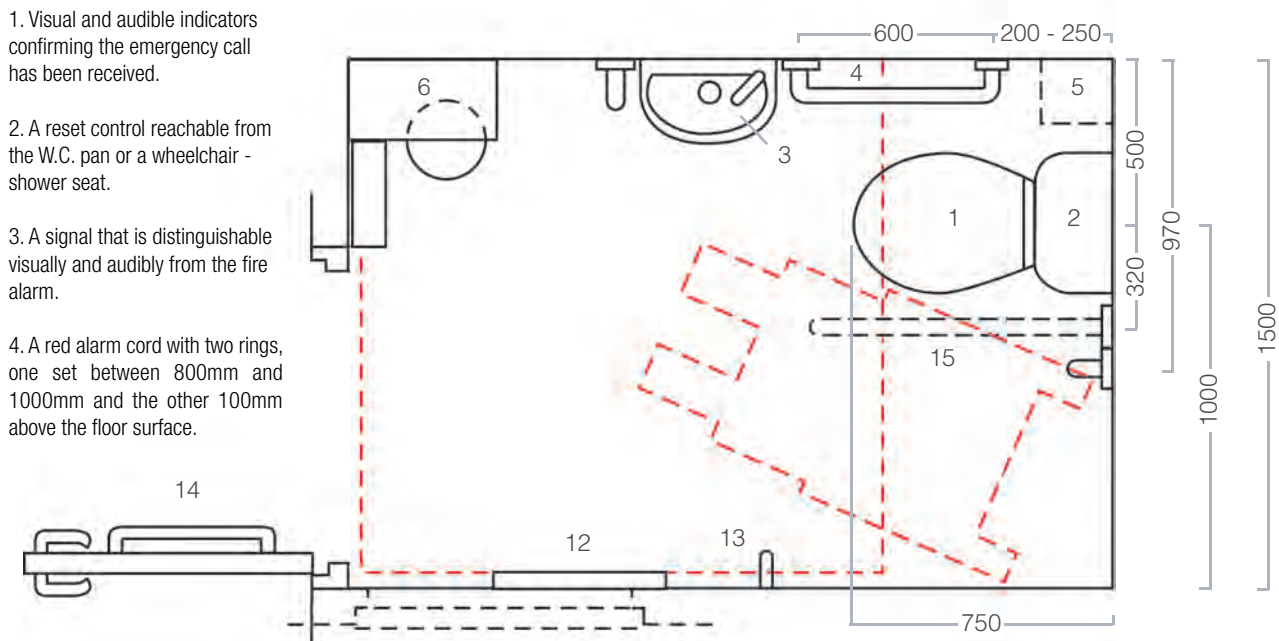
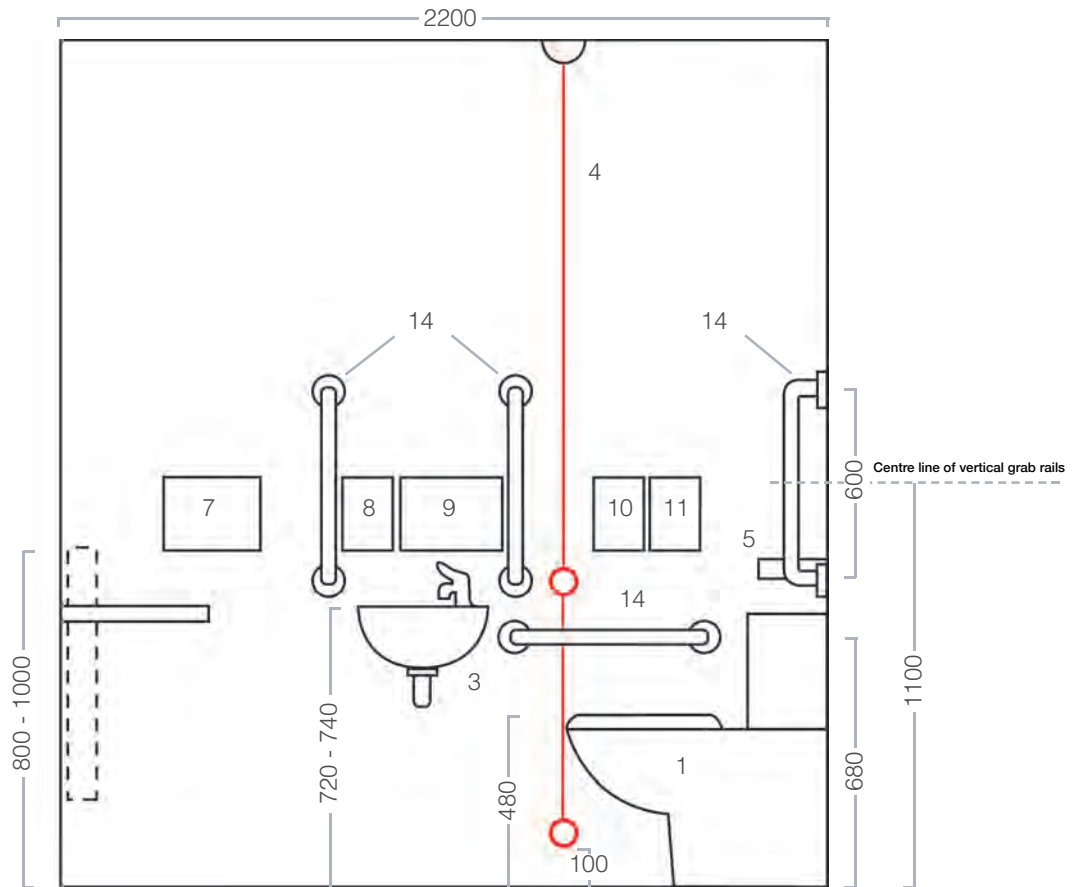
An emergency assistance alarm must have:

1. Visual and audible indicators confirming the emergency call has been received.

2. A reset control reachable from the W.C. pan or a wheelchair - shower seat.

3. A signal that is distinguishable visually and audibly from the fire alarm.

4. A red alarm cord with two rings, one set between 800mm and 1000mm and the other 100mm above the floor surface.



Corporate Close Coupled **P6830060**

1	Pentland Close Coupled Raised Height Pan
1	White Seat and Cover (Advanced)
2	Pentland Reversible Cistern with Screw Down Lid
2	6 litre Fitting Pack with Spatulate Lever - Dual Flush
3	Pentland Hand Basin 395 x 340mm
3	White Plastic Taphole Stopper
3	Concealed Basin Hanger Brackets-Pair
3	Waste Support Bracket
3	Chrome Thermostatic Mono Basin Mixer - Lever Operation
3	Chrome 32mm Grated Waste
3	Chrome Plastic Bottle Trap
4	Phlexicall Audio Visual Alarm, 2 Pull Rings

5	White Plastic Colostomy Bag Shelf, Small
6	White Plastic Colostomy Bag Shelf, Large
7	Automatic Hand Dryer
8	Soap Dispenser
9	Paper Towel Dispenser
10	Toilet Tissue Dispenser
11	Alarm Reset Button
12	Stainless Steel Mirror 1000 x 400mm
13	Chrome plated Clothes Hooks x 2
14	Chrome plated 600 x 35mm Grab Rails x 5
15	Chrome plated Folding Rail 850mm



Peninsular MPack

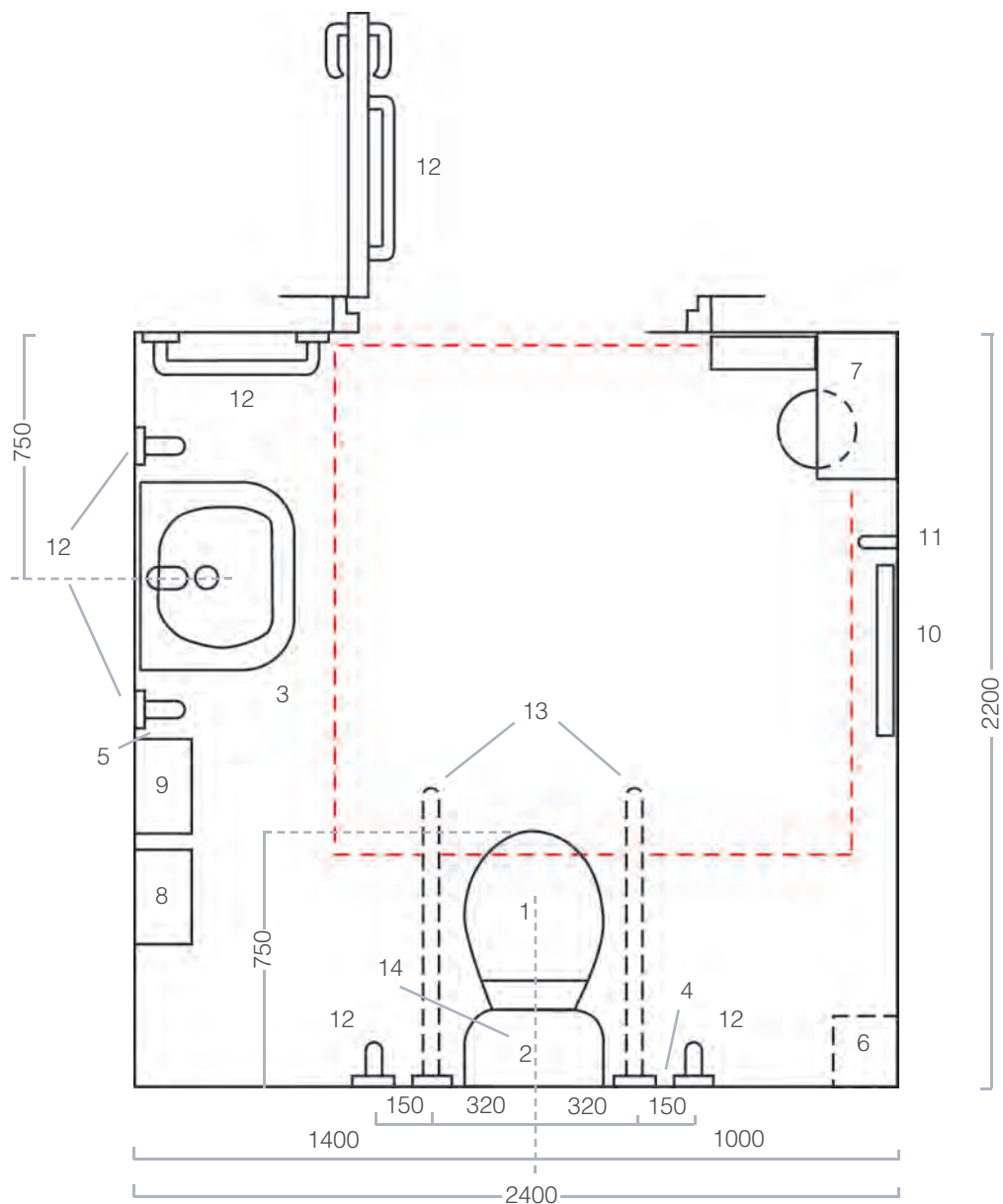
Low Level Cistern

Our N&C Phlexicare, Peninsular MPack layout allows for wheelchair users to transfer from either side of the W.C. pan and with ample space for one or more assistants should it be required. An ideal option for hospitals, care homes, nursing homes, transport terminals and day centres, particularly when skilled assistance is available.



Features and Benefits:

- BS8300 compliant (updated February 2009)
- Highest quality materials used throughout
- Complete co-ordination between accessories
- Large wash hand basin
- Elegant raised height pan
- Luxury padded backrest
- Ergonomic designed toilet seat
- Easy operation dual flush lever 6/4ltr
- Screw down lid on cistern
- Delivered in one box
- Fully compliant audio/visual alarm (Feb 2009)
- Extra pull cord and ring
- TMV3 thermostatic basin mixer incorporating environmental water saving spray action
- Drop down rails with sprung toilet roll holders for left and right handed use



There must be visual contrast between the wall and floor finishes.
 The wall finish must also contrast with the sanitaryware and grab rails.
 Lever action tap supplied.
 Large wash basin with vertical grab rails either side.
 Doors should be fitted with light action privacy bolts with emergency release mechanisms or N&C Phlexicare Radar locks supplied by N&C under the Radar National key scheme.

All doors, alarms, Equality Act compliant handles & associated Ironmongery can all be obtained from N&C.

An emergency assistance alarm must have:

1. Visual and audible indicators confirming the emergency call has been received.
2. A reset control reachable from the W.C. pan or a wheelchair - shower seat.
3. A signal that is distinguishable visually and audibly from the fire alarm.
4. A red alarm cord with two rings, one set between 800mm and 1000mm and the other 100mm above the floor surface.

Peninsular Low Level

P6830059

1	Pentland Low Level Raised Height Pan
1	Blue Seat only (Advanced)
2	Pentland Reversible Cistern with Screw Down Lid
2	6 litre Cistern Fitting Pack
2	Chrome Plated Spatulate Flush Lever
2	White Flushbend 760 x 305mm
3	Pentland Hand Basin 520 x 425mm
3	Hanger and Waste Bracket
3	Basin Fixing Bolts
3	Chrome Thermostatic Mono Basin Mixer - Lever Operation
3	Chrome 32mm Grated Waste
3	Chrome 32mm Plastic Bottle Trap
4	Phlexicall Audio Visual Alarm with Reset

5	Extra Pull Cord and Ring
6	White Plastic Colostomy Bag Shelf, Small
7	White Plastic Colostomy Bag Shelf, Large
8	Automatic Hand Dryer
9	Soap Dispenser
10	Stainless Steel Mirror 1000 x 400mm
11	Blue Clothes Hooks x 2
12	Blue Fluted 600 x 35mm Grab Rails x 6
13	Blue Folding Rail x 2 850mm
13	Toilet Roll Holder for Folding Rail x 2
14	Blue Backrest Padded 400 x 250mm

For accessories see page 255.



Ambulant MPack

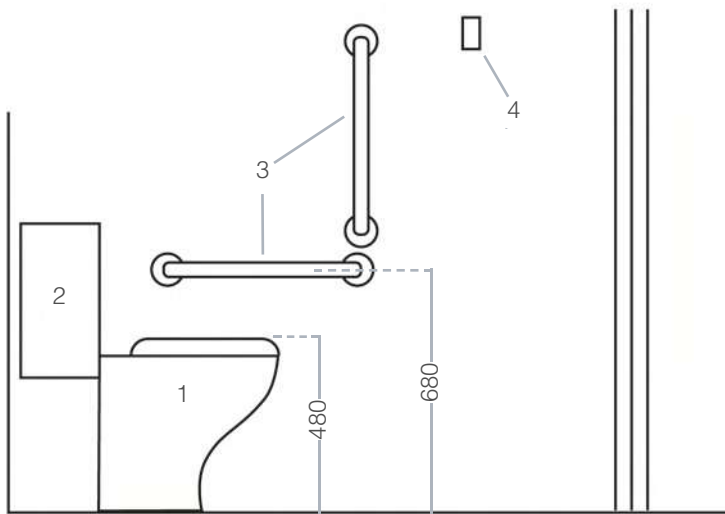
Close Coupled

Our Ambulant MPack is ideal for use in separate sex toilets washrooms. The perfect solution for ambulant disabled users or users requiring assistance. The cubicle should be fitted with support rails and include a minimum activity space to accommodate people who use crutches or otherwise have impaired leg movement.



Features and Benefits:

- BS8300 compliant (updated February 2009)
- Attractive close coupled design
- Elegant raised height pan
- Ergonomic designed toilet seat
- Easy operation dual flush lever 6/4ltr
- Screw down lid on cistern
- Delivered in one box

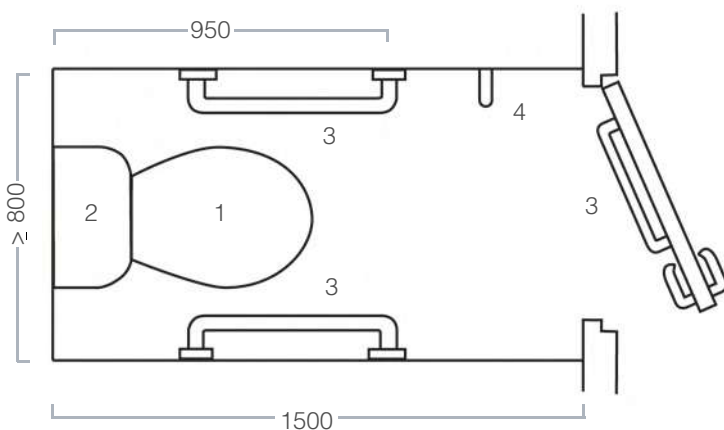


A) Elevation

The minimum clear overall dimensions of a W.C. cubicle accessible by ambulant disabled people, as well as the location of sanitary and other fittings, should be as shown in this set of drawings.

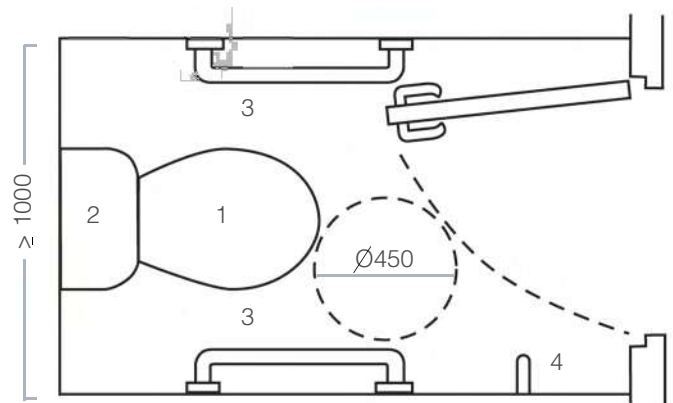
Where the cubicle has an inward opening door, it should be fitted with a double action pivot set and an emergency release mechanism operated from the outside. Inward opening cubicle doors should be used only in existing buildings where there is no alternative.

Note: The overall dimensions shown exclude such items as heat emitters and boxing in of pipe work and adjustments in room size will be needed to accommodate these items.



B) Plan (New Building)

Outward opening door with horizontal pull rail.



C) Plan (Existing Building)

Inward opening door with effective clear width of at least 800mm. Door swing clear of 450mm diameter space on plan between fittings.

Ambulant		P6830058
1	Pentland Close Coupled Raised Height Pan	
1	Blue Seat and Cover (Advanced)	
2	Pentland Reversible Cistern with Screw Down Lid	
2	6 litre Fitting Pack with Spatulate Lever - Dual Flush	
3	Blue Fluted 60 x 35mm Grab Rails x 4	
4	Blue Clothes Hook	

For accessories see page 255.

Useful accessories
Toilet tissue dispenser S2944001
White plastic shelf P6820411



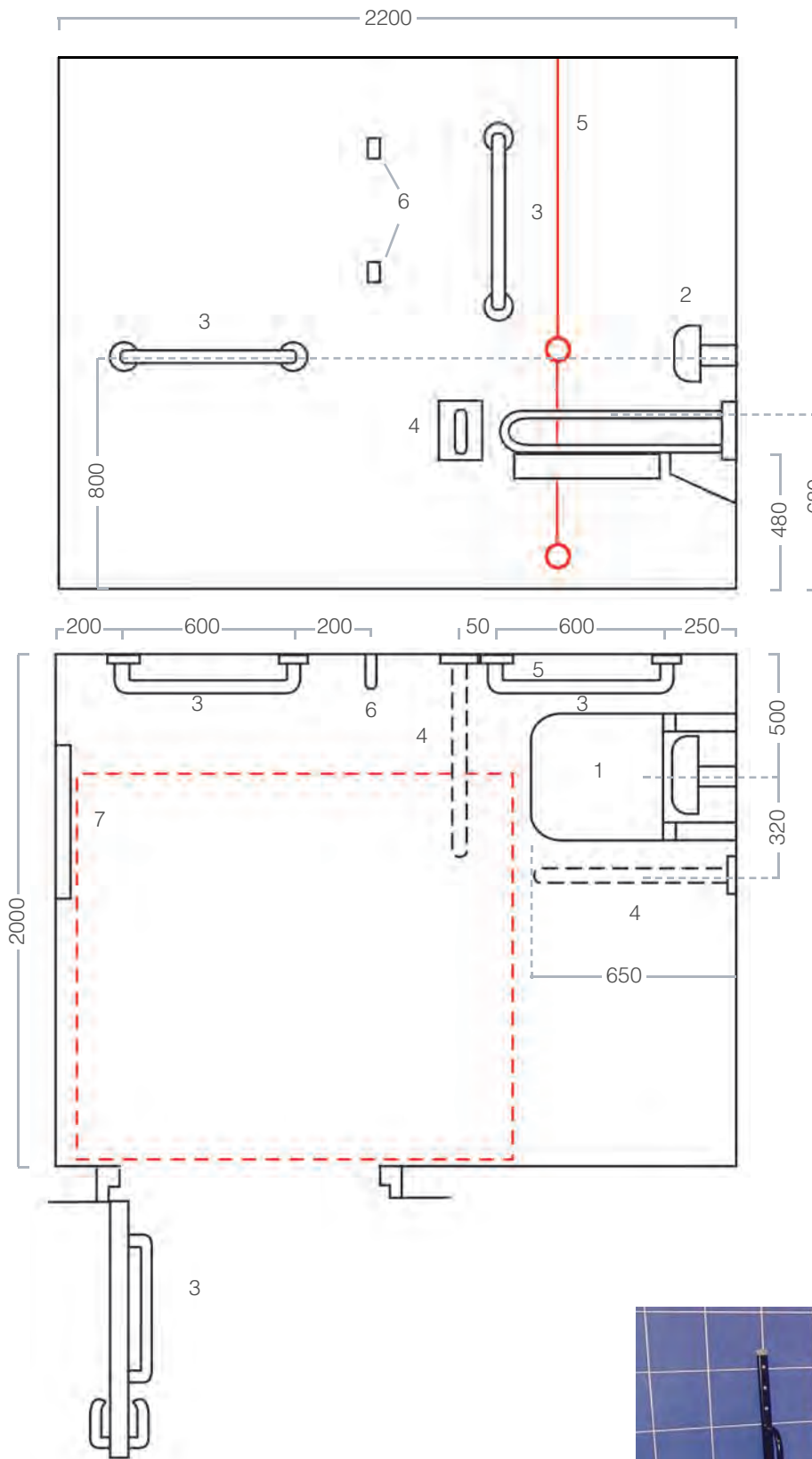
Changing Room MPack

Wheelchair users or those with serious impairments often need extra facilities and sufficient space for dressing and undressing while seated or lying down. We offer self-contained unisex changing facilities for users that require assistance and/or space for carers to assist.



Features and Benefits:

- Fully BS8300 compliant (updated February 2009)
- Highest quality materials used throughout
- Complete co-ordination between accessories
- Luxury padded seat
- Delivered in one box
- Fully compliant audio/visual alarm (Feb 2009)



Space might also be required for one or two assistants and/or a shower chair to transfer into before showering or entering a swimming pool.

Vertical support struts from the seat to the floor should not be installed. A padded tip up seat should be securely fixed to the wall as shown.

Drop down support rails and grab rails for a self contained changing area should be located as shown.

Drop down support rails at right angles to each other can help prevent a disabled person falling forward or sideways.

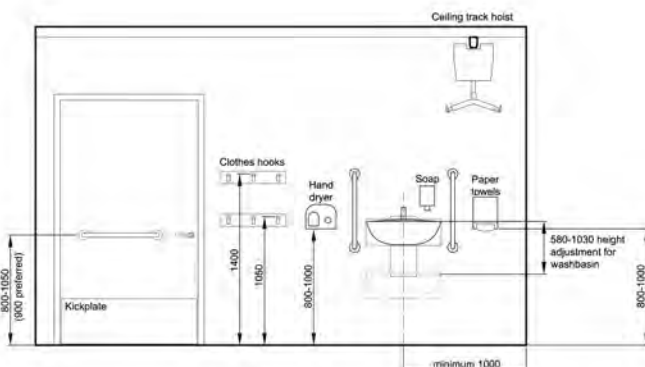
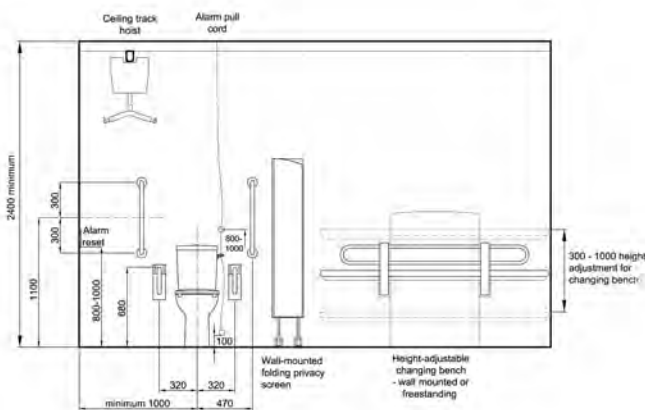
Changing Room		P6830069
1	Grey Folding Shower Seat	
2	Grey Backrest for Shower Seat	
3	Blue Fluted 600 x 35mm Grab Rails x 4	
4	Blue Rehab 850mm Folding Rails x 2	
5	Phlexicall Audio Visual Alarm	
6	Blue Clothes Hooks x 2	
7	Stainless Steel Mirror 1000 x 400mm	





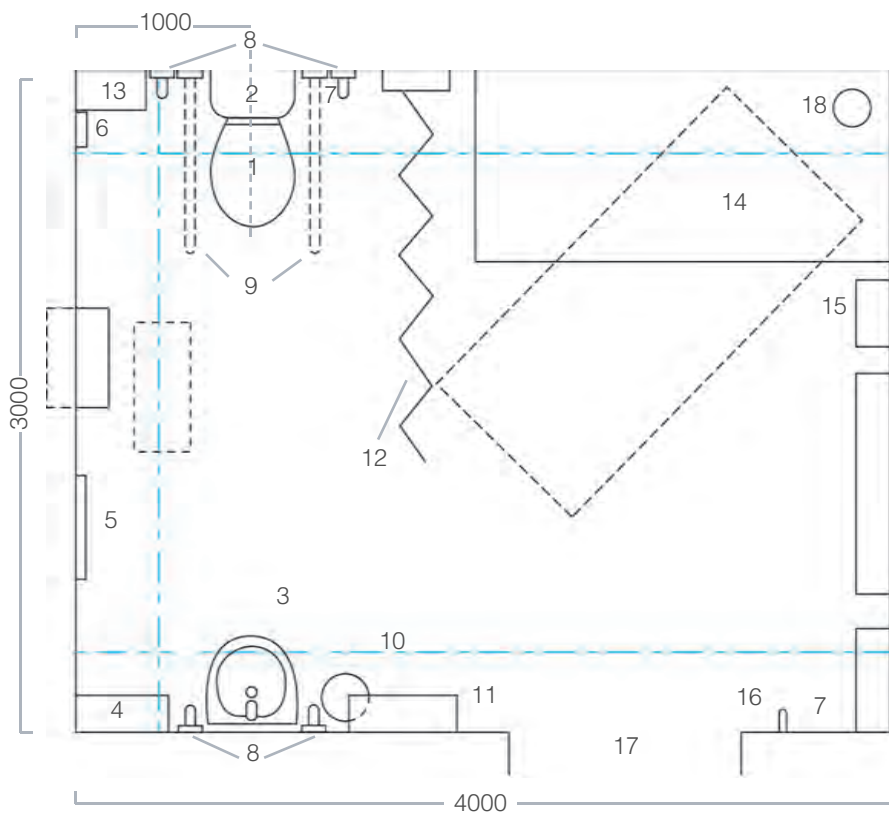
Changing Places MPack

A changing places (CP) facility is a combined toilet, shower and changing room for use by people with complex and multiple disabilities who require the help of two assistants. The space needs to be fitted with a fixed track hoist system. The Changing Places facility should be in addition to, not instead of, the provision of unisex accessible W.C.'s.



Features and Benefits:

- Fully BS8300 compliant (updated February 2009)
- Highest quality materials used throughout
- Complete co-ordination between accessories
- Large power assisted wash hand basin
- Retractable privacy curtain
- Height adjustable shower/changing bench
- Elegant raised height pan
- Luxury padded backrest
- Ergonomic designed toilet seat
- Easy operation dual flush lever 6/4ltr
- Screw down lid on cistern
- Delivered in one box
- Fully compliant audio/visual alarm (Feb 2009)
- TMV3 thermostatic basin mixer incorporating environmental water saving spray action
- Drop down rails with one sprung toilet roll holder



See our Peninsular MPack, page 268 - 269, for layout dimensions of W.C. suite and grab rails within this Changing Places accessible toilet facility.



Additional Requirements

- Large sanitary disposal bin*
- Wide paper roll dispenser*
- Sanitary towel dispenser*
- *Obtainable from washroom suppliers

- Radars lock set R/H
- Radars lock set L/H
- For full details see page 282 - 287.

Changing Places

P6830068

1	Pentland Close Coupled Raised Height Pan
1	Blue Seat (Advanced) no Cover
2	Pentland Reversible Cistern with Screw Down Lid
2	6 litre Cistern Fitting Pack, Spatulate lever - Dual Flush
3	Electrically operated Basin assembly
3	Pentland wash Hand Basin 600 x 450mm
3	Fixing Bolts for Basin
3	Flexible Feed and Waste Kit 700mm
3	Presflow Basin Waste
3	Chrome Plated bottle Trap
3	Sequential Thermostatic Mixer Tap
4	Paper Towel Dispenser
5	Full Length Mirror 1000 X 400mm
6	Alarm with Reset Button and Pull Cord
7	Extra Pull Cord and Ring
8	Blue Vertical Grab Rail ABS x 4

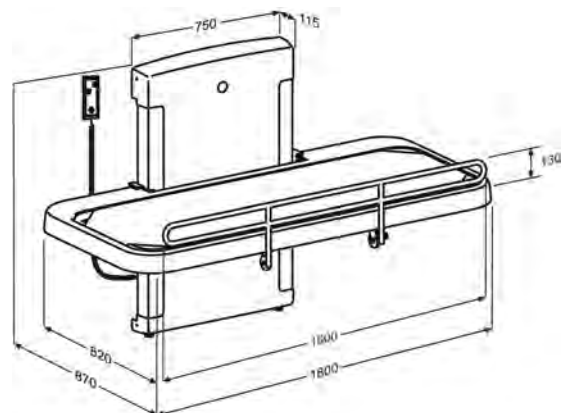
9	Blue Rehab 850mm Folding Rail x 2
9	Toilet Roll Holder with Spring x 1
10	Waste Care Bin
11	Hand Dryer
12	White Curtain Rail 1200 x 1200mm
12	White Curtains 1500 x 1200mm x 2
12	White Curtain Rings x 20
13	White Colostomy Bag Shelf
14	Height Adjustable Shower/Changing Bench
14	Bed Guard Bench
14	Splash Curtain for Shower Bench
15	Lever Action Thermostatic Mixer Shower and Kit
16	Two Clothes Hooks (Blue)
17	Changing Places W.C. Sign
18	Phleximax 50 Floor Gully

CareElements - 2000 Series Nursing Bench Adjustable Height

1800 mm powered nursing bench with wired hand control, 700 mm height adjustable.

Including safety rail and water collection tray with integrated outlet. Materials: Coated steel, mesh cover, polystyrene.

The frame is made from powder-laquered stainless steel, the lying surface is a mesh cover. The water collection tray is made from polystyrene.



Product	Code Number
Electric Nursing Bench, 1800mm	P6825315



W.C. & Shower MPack

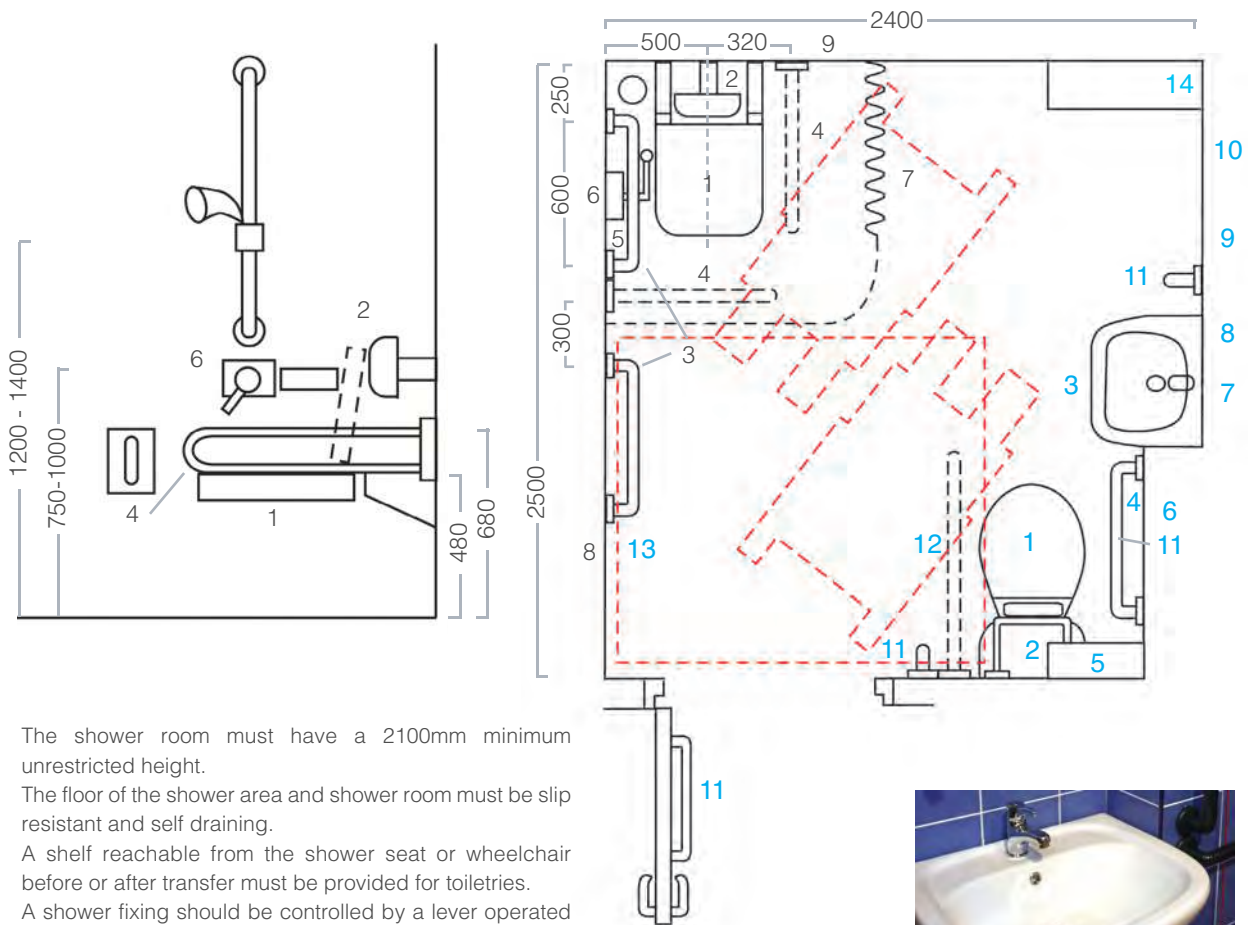
Self Contained Washroom

Our self contained W.C and Shower MPack incorporates our contrasting components with a larger washbasin, whilst incorporating an accessible shower facility with seat, shower and support rails within the same washroom area. Particularly suitable for hotels, holiday homes, hostels, university and college halls of residence.



Features and Benefits:

- Fully BS8300 compliant (updated February 2009)
- Highest quality materials used throughout
- Large hand wash basin
- Elegant raised height pan
- Luxury padded backrest
- Ergonomic designed toilet seat
- Easy operation dual flush lever 6/4ltr
- Screw down lid on cistern
- Delivered in one box
- Fully compliant audio/visual alarm (Feb 2009)
- TMV3 Thermostatic basin mixer incorporating environmental water saving spray action
- Luxury padded shower seat
- Additional alarm cord with rings
- Concealed or exposed shower valve kit
- TMV3 thermostatic mixer shower
- Tubular chrome shower rail and fixings



The shower room must have a 2100mm minimum unrestricted height.

The floor of the shower area and shower room must be slip resistant and self draining.

A shelf reachable from the shower seat or wheelchair before or after transfer must be provided for toiletries.

A shower fixing should be controlled by a lever operated thermostatic mixer that delivers water at a temperature not exceeding 43 degrees. The markings on the shower control should be logical and clear to blind and partially sighted people.

The temperature of the water circulating in the pipework needs to be at least 60 degrees to avoid the risks of legionella.



The basin in the bathroom is large enough for hair or full body washing, it can be used for hand rinsing. It is likely that users will fill the basin with water before sitting on the W.C. pan, as the tap may be out of reach.

For the complete W.C. portion of this package please specify P6830070

For the complete showering portion of this package please specify P6830065

Blue Shower room

P6830065

1	Grey Folding Shower Seat
2	Grey Backrest for Shower Seat
3	Blue Fluted 600 x 35mm Grab Rails x 3
4	Blue Rehab 850mm Folding Rails x 2
5	Additional Phlexicall Alarm Pull Cord
6	Chrome Thermostatic Shower Valve TMV3
6	Chrome Shower Head and Kit

7	Chrome Curtain Rail 1170mm x 2
7	Chrome Wall Flanges - Pair
7	Chrome Angle Bend
7	Ceiling Support Stay 455mm
7	Weighted Shower Curtains 2135 x 2135mm x 2
7	Shower Curtain Hooks x 3
8	Robe Hooks
9	Large Shelf

Blue WC/Shower room Low Level

P6830070

1	Pentland Back to Wall Low Level Raised Height Pan
1	Blue Seat (Advanced) no Cover
2	Pentland Reversible Cistern with Screw Down Lid
2	6 litre Cistern Fitting Pack
2	Chrome Plated Spatulate Flush Lever
2	White 760 x 305mm Flushbend
3	Pentland Wash Hand Basin 550 x 450mm
3	Hanger and Waste Bracket
3	Chrome Thermostatic Mono Basin Mixer - Lever Operation
3	Chrome Presflo Waste
3	Chrome 32mm Plastic Bottle Trap
4	Phlexicall Audio Visual Alarm with Reset

5	White Plastic Colostomy Bag Shelf, Small
14	White Plastic Colostomy Bag Shelf, Large
6	Toilet Tissue Dispenser
7	Paper Towel Dispenser
8	Soap Dispenser
9	Automatic Hand Dryer
10	Stainless Steel Mirror 1000 x 400mm
11	Blue Fluted 600 x 35mm Grab Rails x 5
12	Blue Rehab 850mm Folding Rail
13	Blue Clothes Hooks x 2



Inclusive MPack

Low Level

Building Regulations state that provision must be made in public buildings to offer accessible facilities for disabled people, in new or altered premises. Even if there is a single sanitary accommodation available, it must be wheelchair accessible with greater width to accommodate a wheelchair.



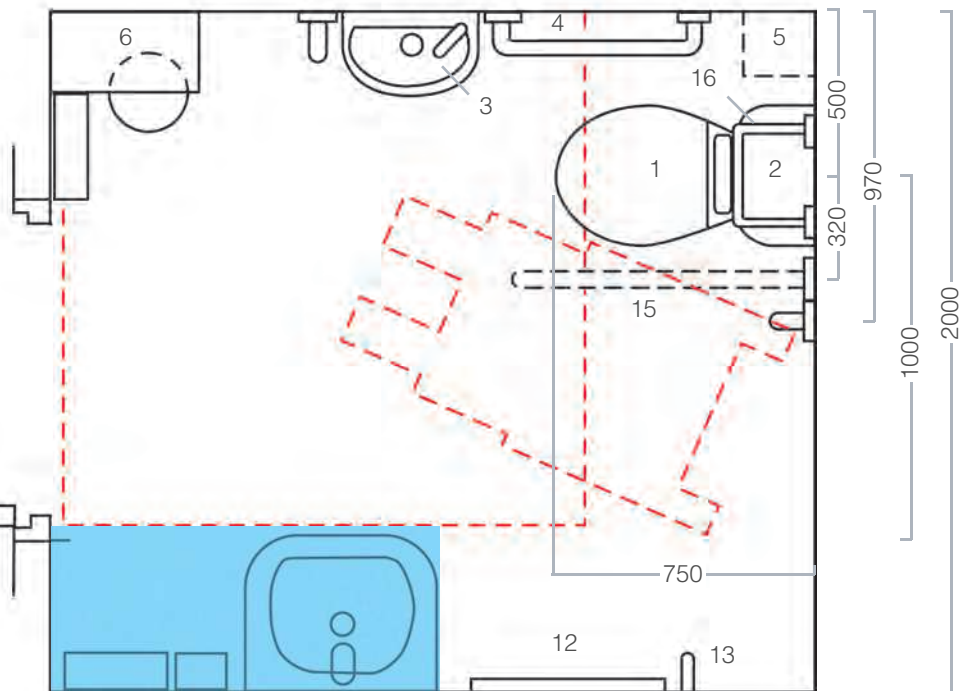
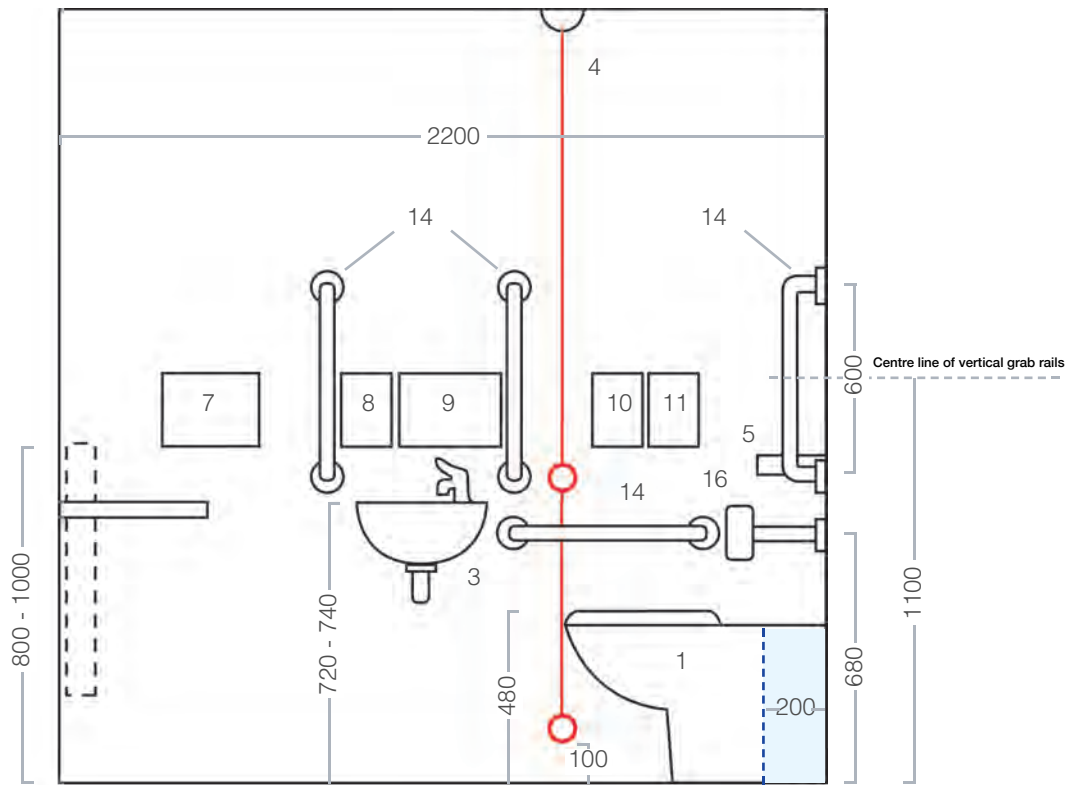
Features and Benefits:

- Ultimate MPack
- Fully BS800 compliant (updated February 2009)
- Highest quality materials used throughout
- Complete co-ordination between accessories
- Handed basin
- Elegant raised height pan
- Luxury padded backrest
- Ergonomic designed toilet seat
- Easy operation dual flush lever 6/4ltr
- Screw down lid on cistern
- Delivered in one box
- Fully compliant audio/visual alarm (Feb 2009)
- TMV3 thermostatic basin mixer incorporating environmental water saving spray action
- ABS grab rails ensures no rotting, rust or corrosion



Additional requirements for Inclusive MPack

- S7004021 520 x 425mm TH2 Basin
- S2365001 Waste Plug & Chain
- S7004036 Hanger & Waste Bracket
- S7004033 Basin Fixing Bolts
- P6349101 Simplicity Lever Taps
- S2372001 32mm Bottle Trap
- S7007364 Thermostatic Mixer Valve
- P6834301 Paper Towel Dispenser
- P6834201 Soap Dispenser



Classic Blue Low Level

P6830056

1	Pentland Low Level Raised Height Pan
1	Blue Seat only (Advanced)
2	Pentland Cistern with Screw Down Lid
2	6 litre Cistern Fitting Pack Dual Flush
2	Chrome Plated Spatulate Flush Lever
2	White 760 x 305mm Flush Bend
3	Pentland Hand Basin 395 x 340mm
3	White Plastic Taphole Stopper
3	Concealed Basin Hanger Brackets-Pair
3	Waste Support Bracket
3	Chrome Thermostatic Mono Basin Mixer - Lever Operation
3	Chrome 32mm Grated Waste
3	Chrome 32mm Plastic Bottle Trap

4	Phlexicall Audio Visual Alarm, 2 Pull Rings
5	White Plastic Colostomy Bag Shelf, Small
6	White Plastic Colostomy Bag Shelf, Large
7	Automatic Hand Dryer
8	Soap Dispenser
9	Paper Towel Dispenser
10	Toilet Tissue Dispenser
11	Alarm Reset Button
12	Stainless Steel Mirror 1000 x 400mm
13	Blue Clothes Hooks x 2
14	Blue Fluted 600 x 35mm Grab Rails x 5
15	Blue Rehab 850mm Folding Rail
16	Blue Backrest 400 x 250mm Padded



Made in
Britain



RADAR

solutions

RADAR

RADAR Key System	282-283
RADAR Lockset	284-285
RADAR Automatic Entry System	285
RADAR Key	286
RADAR Vinyl Surround	287
RADAR Padlock	287
All Inclusive Toilet Signage	287

Official partners





RADAR Key Scheme

RADAR Blue Heart Key

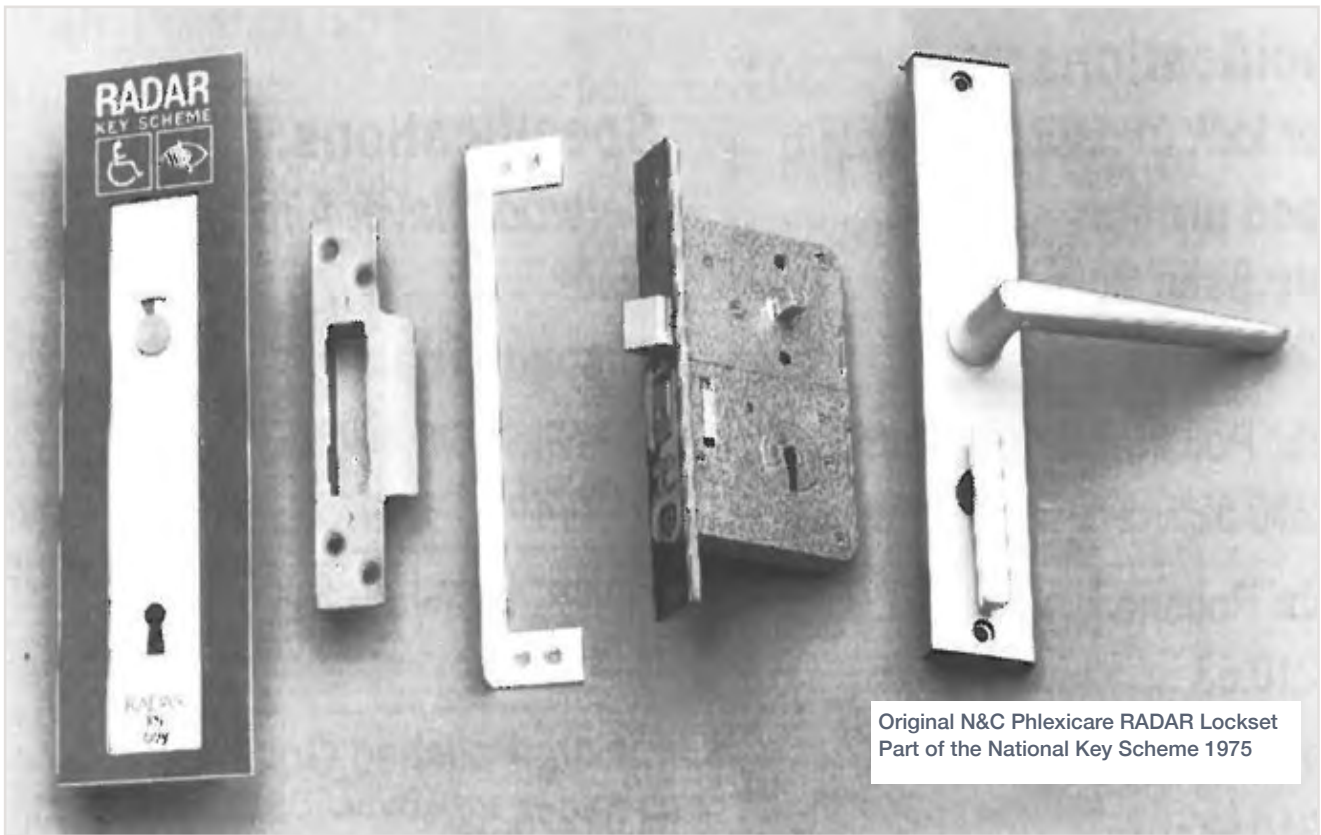
Disability Right UK (formerly R.A.D.A.R.) promotes a U.K. national scheme, whereby specially manufactured locks are fitted in toilets UK wide, that can only be operated using a RADAR key. The National Key Scheme (NKS) offers disabled people independent access to locked public toilets around the country. Toilets fitted with N&C Phlexicare RADAR National Key Scheme (NKS) locks can now be found in shopping centres, pubs, cafés, department stores, bus and train stations and many other locations in most parts of the country.



Official RADAR NKS manufacturers

As part of the official and original National Key Scheme, our new 5th generation RADAR lock has been designed to be retro-fitted to replace existing N&C Phlexicare RADAR locksets, if required. We strongly recommend fixing the vinyl surround (supplied) as this creates a contrast against the lock, allowing the lock to be easily visible for users who are partially sighted.





Original N&C Phlexicare RADAR Lockset
Part of the National Key Scheme 1975



RADAR Key Scheme

The National Key Scheme (NKS) offers disabled people independent access to locked public toilets around the country. Toilets fitted with N&C Phlexicare RADAR National Key Scheme (NKS) locks can now be found in shopping centres, pubs, cafés, department stores, bus and train stations and many other locations in most parts of the country. Our locks have been tested to meet requirements set out in BS8300.

- The original design RADAR lockset, used and trusted for decades throughout the UK
- The 6 lever lock is operated from the outside by use of the RADAR key.
- New 5th generation lockset can be retrofit to existing
- Attractive, modern rounded edge design
- Return to door safety lever handle
- External indicator
- External emergency coin release
- Reversible latch bolt
- Bolt through fixing

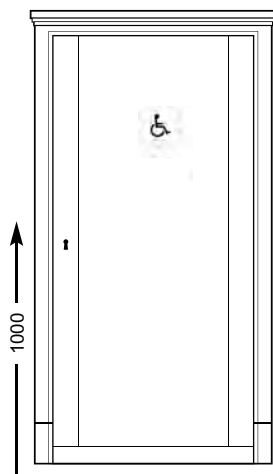


RADAR Lockset

The latch bolt can be easily reversed for inward or outward opening doors. To determine which hand is required, standing inside the toilet, if the hinges are on the right of the door, you will need a right hand lockset. If the hinges are on the left, you will need a left hand lockset.

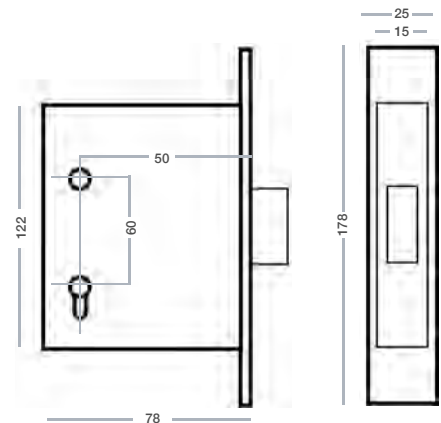
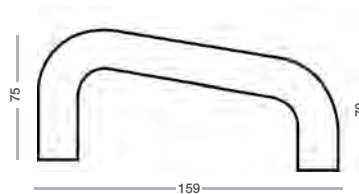
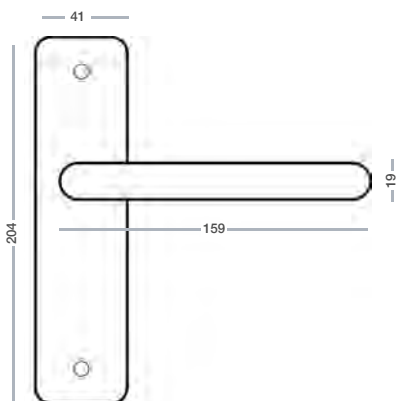
Supplied complete with a colour contrast vinyl surround to give increase light reflective values against the lever handle back plate and the door surface to aid users with visual impairments.

Lift to lock and depress to exit lever handle operations exceeds the EN1906:2012 maximum requirement of 200,000 cycles (grade 7: high frequency of use: 200 000 cycles). Included in Neutral Salt Spray test to 240 hours (EN1670: 2007 Grade 4 very high corrosion resistance)



RADAR Lockset

Lever handle should be fitted between 800mm-1050mm above the floor (1000mm preferred).



Radar Lockset

- The original design RADAR lockset, trusted for decades throughout the UK
- The 6 lever lock is operated by use of the RADAR key (outside).
- Privacy and safety is maintained at all times by the external red/white indicator
- Coin release in case of emergency

Radar Handleset

- Return to door extended cranked handle for improved ease of use and to satisfy the requirements of the Equality Act and BS8300
- External privacy indicator and emergency coin release
- Provided with bolt through fixings for secure fixing over time
- Achieves Category of Use Grade 2 EN1906

Radar Lock

- Latch head has been tested to 1,000,000 bolt slam operations
- Lock follower for the lever handle has been tested to 1,000,000 cycles
- Included in Neutral Salt Spray test to 480hrs (EN1670: 2007 Grade 5 exceptionally high corrosion resistance)

RADAR Lockset

A complete lockset comprising a 6 lever Mortice lock and engraved furniture, which can be supplied in polished silver, polished aluminium (P.A.A.) and polished gold aluminium (P.G.), incorporating an external indicator and emergency coin release. All locksets are supplied with one bow shaped handle key and fixings.



Product	Code Number
Lockset Polished Aluminium Right Hand	H0148502
Lockset Polished Aluminium Left Hand	H0148503

RADAR Automatic Disabled Toilet Entry System

The Phlexicare automatic door openers provide safe and easy access for all ambulant and wheelchair traffic. The system operates at the turn of an N&C Phlexicare RADAR key in a wall mounted control panel.

Wheelchair accessible toilets are normally designed with an outward opening door, whereby to open the door, a wheelchair user has to pull the door towards them whilst at the same time propelling themselves backwards.

The N&C Phlexicare RADAR automatic disabled toilet entry system can be installed on single leaf hinged and sliding doors up to 1200mm wide and 250kg in weight. All electrical work to current standard including testing and certification registered with building control as required by BS6761. Quotations for this work are subject to site survey.



- Automatic entry using a RADAR key and sensor operation
- Safe and easy to use, as user isn't required to handle the door
- Sensor operated locking system that disconnects external control panel
- Illuminated indicator to inform whether W.C. is vacant/occupied
- Fitted with safety mechanism, allowing door reversal should it encounter an obstacle
- Wipe down plate surfaces for hygiene
- 250mm x 190mm satin stainless steel outside plate
- 140mm x 140mm satin stainless steel inside plate
- 'fireman's drop switch' is provided.

Product	Code Number
RADAR Unit	H2902600
RADAR External Magnetic Kit	H2902620
RADAR Internal Magnetic Kit	H2902640

Should be fixed adjacent to portable ramp and locking station to alert users that the ramp can be accessed with their RADAR key.

We Love..

RADAR

Manufactured and tested to high quality standards, each component of the lock has been designed with the user in mind. Please be aware, there are many copies of the lock on the market that are not official National Key Scheme RADAR locks and are therefore not guaranteed to work with RADAR key users. N&C Phlexicare are the only official lockset guaranteed to work with the official RADAR key.



N&C RADAR Blue Heart Comfort Key

RADAR Keys are available to disabled or registered blind people to enable them to access facilities safely, comfortably and without the need to queue for public W.C's. This aims to give protection against vandalism or misuse, so that a clean functional toilet is available when required.

- From the manufacturers of the official RADAR NKS lock
- Designed for Comfort
- 'Not cold to touch'
- Ergonomically designed heart shaped fob for arthritic hands
- Universal key opens all locks that form part of the RADAR National Key Scheme
- Attractive nylon blue heart fob, and stainless steel design



Product	Code Number
N&C RADAR Blue Heart Comfort Key	H0149051

N&C RADAR Stainless Steel Key

- From the manufacturers of the official RADAR NKS lock
- Universal key opens all locks that form part of the RADAR National Key Scheme



Product	Code Number
N&C RADAR Stainless Steel Key	H0149001

RADAR Lockset Vinyl Surround - Replacement

The RADAR Cover Plate fits around the furniture, providing a colour contrast to aid those with visual impairments and can also be used when replacing an old style lock to cover the bolt holes. 7 vibrant colours to choose from.

This reversible plate can be used with information text or as a plain contrast

Product	Code Number
Blue Cover Plate	H0149020



RADAR Padlock, Hasp and Staple

The padlock is of “ traditional old English” design colour coated red to indicate that it can be accessed from both sides of the padlock with a RADAR key.

- Galvanised steel body, colour coated finish, weather resistant
- Lever mechanism
- All brass internal parts

Used in conjunction with the RADAR hasp and staple also colour coated red, it confirms to the user that the padlock can be accessed with a RADAR key from afar. The fixing screws of the hasp and staple are concealed when in the ‘closed’ position to provide additional security.

Product	Code Number
60mm 2 Lever Padlock*	H0149003
Hasp & Staple	H0149004



* Key Supplied Separately

Invisible Disability

size 100 x 150mm Satin
Stainless Steel



Product	Code Number
Invisible Disability	H0149072

Invisible Disability

76mm diameter
Satin Stainless Steel



Product	Code Number
Invisible Disability	H0149070



Access

solutions

Access

Electric Window System	290
Manual Window System	291
Automatic Door Operator	292
Door Closer	293
Hinges	293
Spectrum Range	294 - 295
Door Handles and Locks	296
Emergency Release Door Stop	297
Door Thresholds	297
Sliding Door Gear	297
Indicator Bolt	297

Signs and Wayfinders

Stainless Steel Signs and Symbols	298 - 299
Tactile Signs and Symbols	300 - 302

Ramps

Portable Ramps	304-307
Door Wedges	306
Rollout Trackway	306
Half Step	306-307



Window & Door

Controls and Access

Buildings, by their nature, have to be accessed by both ambulant pedestrian traffic and wheelchair users alike. For obvious reasons of security, privacy and climate control, buildings require doors and windows to the external and internal areas. N&C Phlexicare offer a range of products providing an access solution to a variety of window, door and ramp situations.

Electric Window Control System



Electric window openers can be activated manually, either by a wall switch or a handheld remote control.

For windows over 1000mm width it is recommended that two openers are used (together with Tandem Control) to achieve effective closure of the windows.

Electric System	Code Number
ACK4 Standard Opener 24v DC	H3405014
ACK4 Standard Opener 230v AC	H3405015
Standard Bracket for Aluminium Window	H3405016
Small Pivot Bracket for Window	H3405017
Large Pivot Bracket for UPVC Window	H3405018
Extension Pin 60mm Threaded Bar	H3405020
Single Channel Remote Keys Single Window Opener 230v AC Only	H3405021
Transformer to suit AKC4 24v DC	H3405022

Cable Window Restrictors

Jackloc Window Restrictors, Key Locking, Tested to BS EN 14351:2006 and BS EN 1670:2007, Cable length allows opening up to 200mm (recommended by Health & Safety is Max 100mm)

Electric System	Code Number
White	H0122503
Brass	H0122504
Chrome	H0122505



Manual Window Control System

These can be used on most styles of windows to operate individual or multiple sets from a single wall mounted operator connected by conduit with inner cable to the opener on the window.

When the handle is turned the inner cable is driven forward or backwards, thus opening or closing the window.

Depending on height limitations windows can be opened 250mm or 380mm.

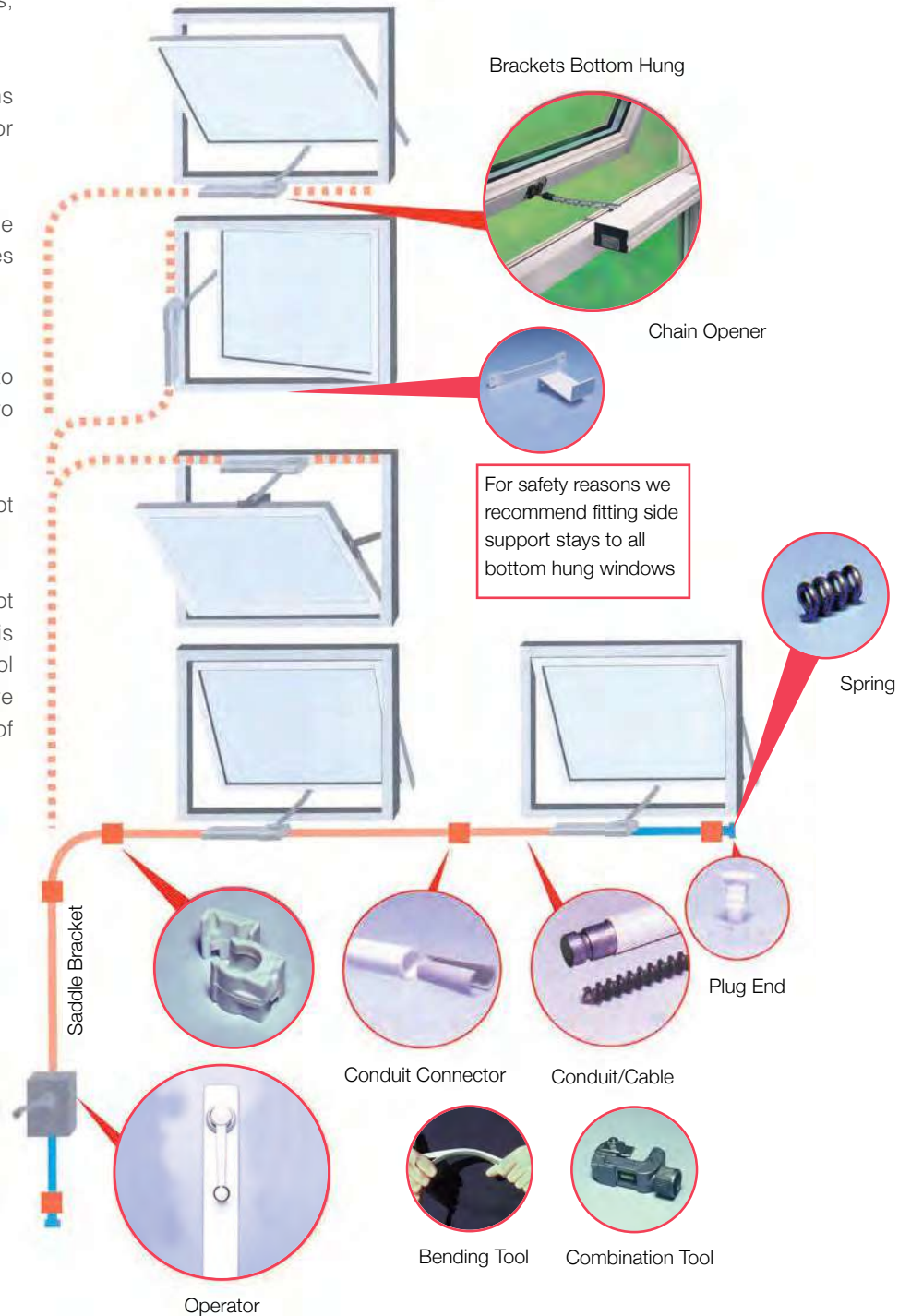
This system is extremely flexible as the conduit can be bent around obstacles to achieve your required design.

Design Rules

One chain opener per window up to 1000mm wide - over this size two openers are required.

The sum of openers and bends must not exceed six.

The length of conduit and cable must not exceed 18 metres. Above this it is necessary to provide additional control units. Five Saddle Brackets are recommended for each metre of conduit.



Features and Benefits:

- Suitable for use on casement, side, top and bottom hung windows
- Suitable for timber, UPVC, aluminium windows by using the correct brackets
- Manual or powered controls should be installed between 800mm – 1000mm above floor level with a maximum reach of 400mm at 90° to window or 360mm at 60° to window

Manual System	Code Number
Brackets Bottom Hung	H3401001
Chain Opener	H3400501
Spring	H3404001
Saddle Bracket	H3403501
Conduit Connector	H3402001
Conduit	H3401501

Manual System	Code Number
Cable	H3403001
Plug End	H3404501
Operator	H3400001
Bending Tool	H3402501
Combination Tool	H3401511

Automatic Door Operator

Our N&C Phlexicare automatic door operators provide safe and easy access for all ambulant and wheelchair traffic. The range includes operators suitable for single leaf hinged and sliding doors in both domestic and commercial environments.

A complete range of operating devices, key fobs, push pads and infra-red sensors are available to ensure each installation is customised to the needs of the user. Existing external doors, including UPVC doors with multipoint locks, can also be automated to include security features in addition to ease of operating.

The automatic door operators are fitted with software that incorporates safety sensitivity (anti-crush device) reversing the door should it encounter an obstacle and ensuring user safety. A battery back-up feature ensures operation in the event of a power failure. Work to current standards including testing and certification registered with building control as required by BS6761. This system includes installation by our engineers. Quotations for work are subject to site survey.



Articulated Arm

For outward opening doors



Sliding Arm

For inward opening doors



Recessed Arm



Receiver Set

Self programming



Push Pad



PIR Domestic Use



Push Pad



Pressure Mat



Electric Strike Plate

N&C Overhead Door Closer BS EN Size 2-5

- N&C overhead slimline door closer with backcheck & delayed closing action
- Variable closing force 2-5 adjustment by spring
- Max door width 1250mm max door weight 100kg
- 120 minute fire rated
- Matching arm & cover
- Fig 1, 61 & 66

Body Size	Finish	Code Number
236x55x38mm	Silver Sprayed	H0412523
236x55x38mm	Satin Stainless Steel	H0412524
236x55x38mm	Polished Stainless Steel	H0412525
236x55x38mm	Polished Brass	H0412526



N&C Overhead Slimline Cam Action Door Closer BS EN Size 2-4

- High efficiency door closer with backcheck
- Variable closing force
- 2-4 adjustment by spring
- Max door width 950mm
- Max door weight 60kg
- 120 minute fire rated
- Matching slide arm, channel & cover
- Fig 1, 61 & 66

Body Size	Finish	Code Number
210x52x36mm	Silver Sprayed	H0412528
210x52x36mm	Satin Stainless Steel	H0412529
210x52x36mm	Polished Stainless Steel	H0412525
210x52x36mm	Polished Brass	H0412527



N&C Overhead Door Closer With Electro Magnetic Function BS EN Size 4

- Hold open/swing free function
- Size 4 closing force
- Max door width 1100mm
- Matching arm & cover
- Fig 1, 61 & 66

Body Size	Finish	Code Number
290x553x60mm	Silver Sprayed	H0412536
290x553x60mm	Satin Stainless Steel	H0412537
290x553x60mm	Polished Stainless Steel	H0412538
290x553x60mm	Polished Brass	H0412539



N&C Five Knuckle Twin Ball

- Five knuckle twin ball race hinges
- Grade 13 certifiere rated
- Max door weight 120kg
- Fire tested to 90 mins.
- Square corners

Size	Finish	Quantity	Code Number
102x76x3mm	Polished Stainless Steel	1 Pair	H0442717
102x76x3mm	Polished Stainless Steel	1 1/2 Pair	H0442737
102x76x3mm	Satin Stainless Steel	1 Pair	H0442716
102x76x3mm	Satin Stainless Steel	1 1/2 Pair	H0442736
102x76x3mm	PVD (Brass)	1 Pair	H0442718
102x76x3mm	PVD (Brass)	1 1/2 Pair	H0442738



N&C Spectrum Nylon Coated Door Furniture Round Bar Lever On Rose 21mm Dia

Finish	Code Number
Nylon Red	H0244200
Nylon Cobalt Blue	H0244201
Nylon Midnight Blue	H0244202
Nylon Diamond White	H0244203
Nylon Black	H0244204
Nylon Light Grey	H0244205
Nylon Dark Grey	H0244206
Nylon Golden Yellow	H0244207
Nylon Claret	H0244208
Nylon Green	H0244209



to suit above	Finish	Code Number
Spring Cassette	Black	H0244220

Euro Profile Escutheons 52mm Dia

Finish	Code Number
Nylon Red	H0244230
Nylon Cobalt Blue	H0244231
Nylon Midnight Blue	H0244232
Nylon Diamond White	H0244233
Nylon Black	H0244234
Nylon Light Grey	H0244235
Nylon Dark Grey	H0244236
Nylon Golden Yellow	H0244237
Nylon Claret	H0244238
Nylon Green	H0244239



Turn & Release Indicators 52mm

Finish	Code Number
Nylon Red	H0244250
Nylon Cobalt Blue	H0244251
Nylon Midnight Blue	H0244252
Nylon Diamond White	H0244253
Nylon Black	H0244254
Nylon Light Grey	H0244255
Nylon Dark Grey	H0244256
Nylon Golden Yellow	H0244257
Nylon Claret	H0244258
Nylon Green	H0244259



Disabled Turn With Indicators

Finish	Code Number
Nylon Red	H0244270
Nylon Cobalt Blue	H0244271
Nylon Midnight Blue	H0244272
Nylon Diamond White	H0244273
Nylon Black	H0244274
Nylon Light Grey	H0244275
Nylon Dark Grey	H0244276
Nylon Golden Yellow	H0244277
Nylon Claret	H0244278
Nylon Green	H0244279



Finger Plate PVC 305 x 75mm

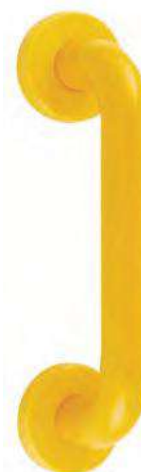
Size	Code Number
Nylon Red	H0244540
Nylon Cobalt Blue	H0244541
Nylon Midnight Blue	H0244542
Nylon Diamond White	H0244543
Nylon Black	H0244544

Size	Code Number
Nylon Light Grey	H0244545
Nylon Dark Grey	H0244546
Nylon Golden Yellow	H0244547
Nylon Claret	H0244548
Nylon Green	H0244549



N&C Spectrum Steel Threaded Core D-shaped Pull Handle

Size	34 x 220mm	34 x 300mm	34 x 425mm	34 x 600mm
Nylon Red	H0244300	H0244360	H0244420	H0244480
Nylon Cobalt Blue	H0244301	H0244361	H0244421	H0244481
Nylon Midnight Blue	H0244302	H0244362	H0244422	H0244482
Nylon Diamond White	H0244303	H0244363	H0244423	H0244483
Nylon Black	H0244304	H0244364	H0244424	H0244484
Nylon Light Grey	H0244305	H0244365	H0244425	H0244485
Nylon Dark Grey	H0244306	H0244366	H0244426	H0244486
Nylon Golden Yellow	H0244307	H0244367	H0244427	H0244487
Nylon Claret	H0244308	H0244368	H0244428	H0244488
Nylon Green	H0244309	H0244369	H0244429	H0244489



N&C Spectrum Pull Handle, Bolt Through Fix

Size	34 x 220mm	34 x 300mm	34 x 425mm	34 x 600mm
Nylon Red	H0244320	H0244380	H0244440	H0244500
Nylon Cobalt Blue	H0244321	H0244381	H0244441	H0244501
Nylon Midnight Blue	H0244322	H0244382	H0244442	H0244502
Nylon Diamond White	H0244323	H0244383	H0244443	H0244503
Nylon Black	H0244324	H0244384	H0244444	H0244504
Nylon Light Grey	H0244325	H0244385	H0244445	H0244505
Nylon Dark Grey	H0244326	H0244386	H0244446	H0244506
Nylon Golden Yellow	H0244327	H0244387	H0244447	H0244507
Nylon Claret	H0244328	H0244388	H0244448	H0244508
Nylon Green	H0244329	H0244389	H0244449	H0244509



N&C Spectrum Pull Handle , Back-to-Back Fixing

Size	34 x 220mm	34 x 300mm	34 x 425mm	34 x 600mm
Nylon Red	H0244340	H0244400	H0244460	H0244520
Nylon Cobalt Blue	H0244341	H0244401	H0244461	H0244521
Nylon Midnight Blue	H0244342	H0244402	H0244462	H0244522
Nylon Diamond White	H0244343	H0244403	H0244463	H0244523
Nylon Black	H0244344	H0244404	H0244464	H0244524
Nylon Light Grey	H0244345	H0244405	H0244465	H0244525
Nylon Dark Grey	H0244346	H0244406	H0244466	H0244526
Nylon Golden Yellow	H0244347	H0244407	H0244467	H0244527
Nylon Claret	H0244348	H0244408	H0244468	H0244528
Nylon Green	H0244349	H0244409	H0244469	H0244529



Floor Mounted Door Stop

Size	Code Number
Nylon Red	H0244560
Nylon Cobalt Blue	H0244561
Nylon Midnight Blue	H0244562
Nylon Diamond White	H0244563
Nylon Black	H0244564

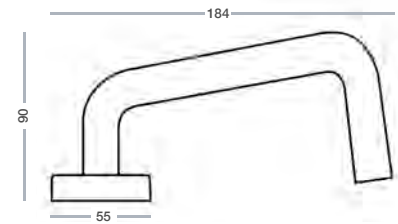
Size	Code Number
Nylon Light Grey	H0244565
Nylon Dark Grey	H0244566
Nylon Golden Yellow	H0244567
Nylon Claret	H0244568
Nylon Green	H0244569



Lever Handle

Our specially extended lever handle protrudes from the edge of the door. It is easy to operate in the usual way or with an elbow or clenched fist. It safely returns to the door face to avoid catching clothing particularly sleeves and pockets.

- Spring loaded rose
- Bolt through fixings



Product	Finish	Code Number
Triple Bend Lever on Round Rose	Satin Anodised Aluminium	H0575513
Triple Bend Lever on Round Rose	Satin Stainless Steel	H0575514
Euro Profile Cylinder Escutcheon	Satin Anodised Aluminium	H0575515
Euro Profile Cylinder Escutcheon	Satin Stainless Steel	H0575516



DDA Compliant Mortice Latch & Mortice Sash Lock Case

Modular lock case to BS EN 12209: 2003

- CE marked
- Lever handles withdraws latch bolt
- Latch bolt is reversible
- Cylinder withdraws deadbolt
- 60mm backset 72mm centres
- Strike includes dust caps in white
- Square stainless steel forend and strike
- Rebate conversion sets available to order

Product	Code Number
Latch	H2900538
Sashlock	H2900535



Euro Profile W.C. Cylinder and Turn

Operates DDA Compliant mortice sash lock case when used with extended lever handles and escutcheons to provide a privacy function on a toilet/bathroom door.

- 72mm body nickel plated
- Red/White indicator with emergency release

If a change of use to the room is required the W.C. cylinder and turn is easily replaced with a standard euro profile key operated cylinder without needing any joinery work.

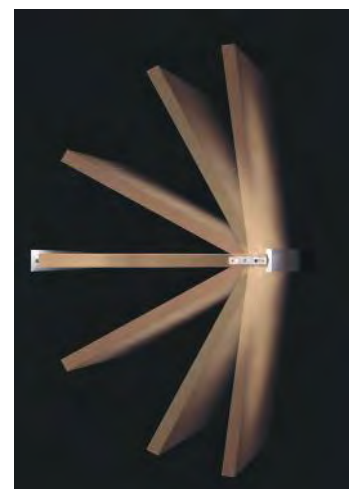
Product	Code Number
Euro Profile W.C. Cylinder and Turn	H0575519



Double Action Pivot Set

- Allows the the door to swing in either direction
- Door plates radiused for easier preparation
- Minimum door thickness 44mm
- Grade 304 Stainless Steel
- Bottom bracket is frame mounted
- Medium duty for internal doors
- For doors weighing up to 80kg when floor mounted and up to 110mm wide
- Top and bottom door plates have oil impregnated bronze bearings
- Set includes door bottom pivot, top centre, No 10 screws to suit
- Suitable for use on FD30 fire doors

Product	Code Number
Double Action Pivot Set	H0434081



Emergency Release Door Stop

Allows double action doors to operate as single swing when hung on pivots. Emergency access is gained by depressing the stop and pulling the door outwards.

- Grade 304 stainless steel
- Stop release resets automatically
- Rubber insert for quieter action

Product	Code Number
Emergency Release Door Stop	H0434091

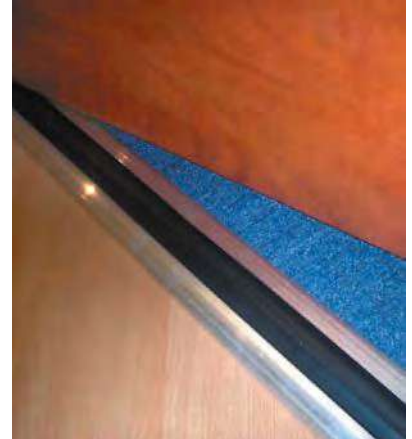


Door Thresholds

The N&C door threshold strip is excellent for use on external doors to exclude draughts and avoid the ingress of rain. It is also used widely for internal doors where its low profile and chamfered edges assist wheelchair access and is DDA compliant

- Mill finish aluminium
- Black neoprene seal

Product	Code Number
Door Threshold 915mm Width	H0854021
Door Threshold 1000mm Width	H0854031
Door Threshold 1219mm Width	H0854051



Facility Indicator Bolt

Suitable for cubicle or standard doors. This incorporates a large lever handle for ease of use on the internal face of the door. The external face has a red/white indicator with emergency release and small pull handle with bolt through fixings.

Product	Finish	Code Number
Universal handed Indicator Bolt	Silver	H0575503



Right hand shown

Sliding Door Gear

There are occasions when a standard hinged door cannot be widened due to lack of space, or cannot be adapted to open outwards. One way to overcome this problem is to use sliding door gear. The door gear pictured here can be supplied in a variety of sizes to suit door thickness from 32 – 50mm, widths of up to 1500mm and a maximum weight of 90kg.

Product	Code Number
Door Width 900 - 1050mm Weight up to 55kg	H9994006
Door Width 1050 - 1200mm Weight up to 55kg	H9994007
Door Width 1050 - 1200mm Weight up to 90kg	H0884021





Signs and Wayfinders

The International Standards Organisation (ISO) have sought to harmonise graphic symbols throughout the EU in order to gain a greater recognition of symbols within fire and safety signs. We offer a wide portfolio of compliant signs in braille, plastic, aluminium and self adhesive vinyl materials in a range of sizes.



Signs and wayfinding are an important part of our everyday lives. Signs are intended to be easy to recognise, easy to read with good contrast against their background colour or surroundings.

Information signs give visitors and employees within a premises a clear visual guidance. Our signs are ideal for display in public buildings, parks, warehouses, schools, offices and across many other industries where the general public are able to easily interpret and recognise the intended message of a sign. We offer a wide range of braille and tactile signs

Woman W.C.

150mm x 100mm Satin
Anodised Aluminium

Product	Code Number
Woman W.C.	H6801031



Gentlemen W.C.

150mm x 100mm Satin
Anodised Aluminium

Product	Code Number
Gentlemen W.C.	H6801021



Accessible W.C.

150mm x 100mm Satin
Anodised Aluminium

Product	Code Number
Accessible W.C.	H6801041



Changing Places W.C.

150mm x 100mm Satin
Anodised Aluminium

Product	Code Number
Changing Places W.C.	H6801043



Invisible Disability

size 100 x 150mm Satin
Anodised Aluminium

Product	Code Number
Invisible Disability	H0149072



Woman W.C.

75mm diameter

Product	Code Number
Satin Anodised Aluminium	H6801061
Satin Stainless Steel	H6801064



Gentlemen W.C.

75mm diameter

Product	Code Number
Satin Anodised Aluminium	H6801051
Satin Stainless Steel	H6801054



Accessible W.C.

75mm diameter

Product	Code Number
Satin Anodised Aluminium	H6801065
Satin Stainless Steel	H6801068



Changing Places W.C.

75mm diameter

Product	Code Number
Satin Anodised Aluminium	H6801069



Baby Changing W.C.

75mm diameter

Product	Code Number
Satin Anodised Aluminium	H6801101
Satin Stainless Steel	H6801068



Unisex Sign

75mm diameter

Product	Code Number
Satin Anodised Aluminium	H6801095



Shower Area

75mm diameter

Product	Code Number
Satin Anodised Aluminium	H6801091



Invisible Disability

75mm diameter

Product	Code Number
Invisible Disability	H0149070



Tactile & Braille Signs & Symbols

The use of well contrasted tactile and text symbols can cater for both sighted and blind/partially sighted users. Blind and partially sighted people who do not read Braille can still identify, by tactile information.

Where Braille forms part of a sign, a marker (e.g. a notch or tactile shape) should be located at the left hand edge of the sign to help locate the Braille message.

Signs should be placed at a height suitable for everyone to reach unaided, generally this is recommended to be no lower than 1400mm from the floor and no higher than 1700mm.



W.C.

75mm diameter



Product	Code Number
Satin Stainless Steel	H6801600
Blue	H6801601

Woman W.C.

75mm diameter

Product	Code Number
Satin Stainless Steel	H6801608
Blue	H6801609



Gentlemen W.C.

75mm diameter

Product	Code Number
Satin Stainless Steel	H6801606
Blue	H6801607



Accessible W.C.

75mm diameter

Product	Code Number
Satin Stainless Steel	H6801610
Blue	H6801611



Baby Changing W.C.

75mm diameter

Product	Code Number
Satin Stainless Steel	H6801602
Blue	H6801603



Toilets

75mm diameter

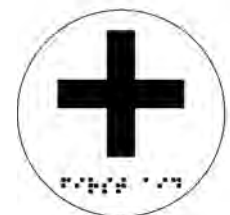
Product	Code Number
Satin Stainless Steel	H6801604
Blue	H6801605



First Aid

75mm diameter

Product	Code Number
Satin Stainless Steel	H6801612
Blue	H6801613



Shower Room

75mm diameter

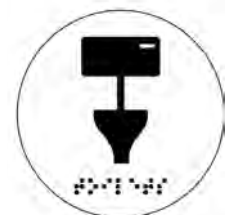
Product	Code Number
Satin Stainless Steel	H6801614
Blue	H6801615



Toilets

75mm diameter

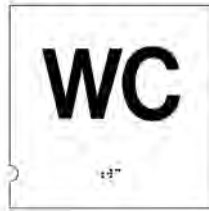
Product	Code Number
Satin Stainless Steel	H6801616
Blue	H6801617



W.C.

Size 150 x 150mm

Product	Code Number
Satin Stainless Steel	H6801636
Blue	H6801637



Woman W.C.

150 x 150mm

Product	Code Number
Satin Stainless Steel	H6801620
Blue	H6801621



Gentlemen W.C.

Size 150 x 150mm

Product	Code Number
Satin Stainless Steel	H6801618
Blue	H6801619



Accessible W.C.

Size 150 x 150mm

Product	Code Number
Satin Stainless Steel	H6801622
Blue	H6801623



Baby Changing W.C.

Size 150 x 150mm

Product	Code Number
Satin Stainless Steel	H6801632
Blue	H6801633



Toilets

Size 150 x 150mm

Product	Code Number
Satin Stainless Steel	H6801624
Blue	H6801625



Family W.C.

Size 150 x 150mm

Product	Code Number
Satin Stainless Steel	H6801628
Blue	H6801629



Boy W.C.

Size 150 x 150mm

Product	Code Number
Satin Stainless Steel	H6801638
Blue	H6801639



Girl W.C.

Size 150 x 150mm

Product	Code Number
Satin Stainless Steel	H6801640
Blue	H6801641



Shower Room

Size 150 x 150mm

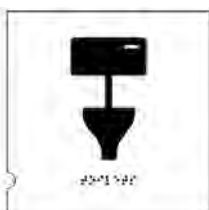
Product	Code Number
Satin Stainless Steel	H6801630
Blue	H6801631



Toilets

Size 150 x 150mm

Product	Code Number
Satin Stainless Steel	H6801626
Blue	H6801627



Telephone

Size 150 x 150mm

Product	Code Number
Satin Stainless Steel	H6801634
Blue	H6801635



Push

400 x 100mm

Product	Code Number
Satin Stainless Steel	H6801642
Blue	H6801643



Pull

400 x 100mm

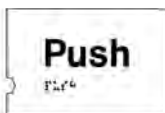
Product	Code Number
Satin Stainless Steel	H6801644
Blue	H6801645



Push

Size 125 x 80mm

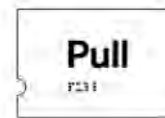
Product	Code Number
Satin Stainless Steel	H6801648
Blue	H6801649



Pull

Size 125 x 80mm

Product	Code Number
Satin Stainless Steel	H6801652
Blue	H6801653



Staff Only

Size 225 x 80mm

Product	Code Number
Satin Stainless Steel	H6801646
Blue	H6801647



Enquiries

Size 225 x 80mm

Product	Code Number
Satin Stainless Steel	H6801654
Blue	H6801655



Private

Size 160 x 80mm

Product	Code Number
Satin Stainless Steel	H6801650
Blue	H6801651



Library

Size 160 x 80mm

Product	Code Number
Satin Stainless Steel	H6801656
Blue	H6801657



Kitchen

Size 175 x 80mm

Product	Code Number
Satin Stainless Steel	H6801658
Blue	H6801659



Toilets

Size 160 x 80mm

Product	Code Number
Satin Stainless Steel	H6801660
Blue	H6801661



Office

Size 160 x 80mm

Product	Code Number
Satin Stainless Steel	H6801662
Blue	H6801663



Store

Size 140 x 80mm

Product	Code Number
Satin Stainless Steel	H6801664
Blue	H6801665





Access & Ramps

Portable Ramps

Our range of portable ramps are the perfect access solution for wheelchair users, where a permanent facility is unavailable. Our portable ramps can be used in both commercial and domestic settings with a number of uses, dependent on type of access requirements.

How Steep?



Acceptable in some cases for assisted access and powered wheelchairs



A good balance between gradient and space use, suited for events etc.



Often required by social services/local authorities. Minimum required Building Regulations for installed ramps.



Sometimes required by social services/local authorities for independent access.

What Type of Ramp?



Steps/Stairs



Wood/Level Access
Door Threshold



PVC
Door Threshold



Vehicle Access

How Long?

a. Measure the step height / level difference.



b. Use the Ramp Length Guide to decide which length you need.

Step height/level difference (up to)	Length at 1:6	Length at 1:8	Length at 1:12
10cm	60cm	80cm	120cm
15cm	90cm	120cm	120cm
20cm	120cm	160cm	240cm
25cm	150cm	200cm	300cm
30cm	180cm	240cm	360cm
45cm	270cm	360cm	540cm
60cm	360cm	480cm	720cm

Aerolight - Xtra

The Aerolight-Xtra is a proven and popular ramp to access many different building types such as homes and businesses. Folds for compact storage and provides a full width anti-slip surface with excellent grip.

- Ideal for building access
- Folds for compact storage
- Contrasting colour edge strip increases visibility
- Full width anti-slip provides excellent grip
- Clips together when folded
- Made from aluminium



Length	Width	Weight	Capacity	Stored Dims	Code Number
60cm	76cm	5kg/11lbs	350kg/55st	60x39x8cm	P6433200
90cm	76cm	7kg/15lbs	350kg/55st	90x39x8cm	P6433202
120cm	76cm	9kg/20lbs	350kg/55st	120x39x8cm	P6433204
150cm	76cm	11kg/24lbs	350kg/55st	150x39x8cm	P6433206
180cm	76cm	13kg/29lbs	350kg/55st	180x39x8cm	P6433208
210cm	76cm	15kg/33lbs	350kg/55st	210x39x8cm	P6433210
240cm	76cm	17kg/37lbs	350kg/55st	240x39x8cm	P6433212

Aerolight - Lifestyle

The Aerolight-Lifestyle is specifically designed for those using it everyday at home or on the move. Perfect for use with mobility scooters and wheelchairs of all types. Compact, easy to carry and deploy.

- Great for out and about access
- Use with all types of scooters and wheelchairs
- Folds for compact storage
- Contrasting colour edge strip increases visibility
- Full width anti-slip provides excellent grip
- Clips together when folded
- Made from aluminium

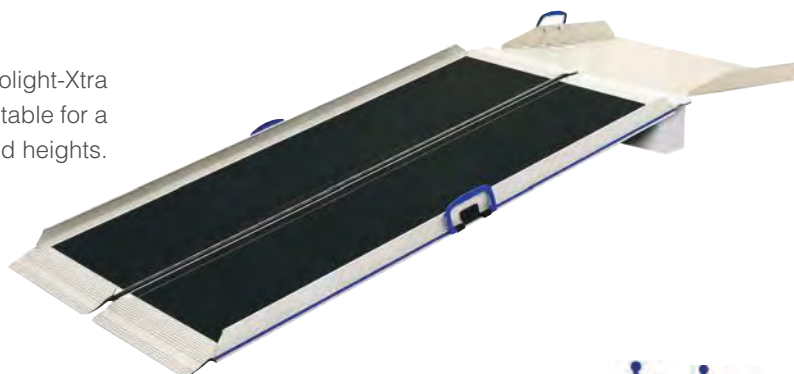


Length	Width	Weight	Capacity	Stored Dims	Code Number
180cm	74cm	8kg/18lbs	350kg/55st	95x37x25cm	P6433220
210cm	74cm	9kg/20lbs	300kg/47st	110x37x25cm	P6433222
240cm	74cm	10kg/22lbs	250kg/39st	125x37x25cm	P6433224
270cm	74cm	11kg/24lbs	250kg/39st	140x37x25cm	P6433226

Aerolight - Rampkit, Up & Over

The Aerolight-Rampkit is a combination of the Aerolight-Xtra & Doorline Multi. Quick and easy to deploy and suitable for a wide variety of threshold types including UPVC and heights. Comes as a complete kit to save time and hassle.

- Folds for compact storage
- Contrasting colour edge strip increases visibility
- Full width anti-slip provides excellent grip
- Clips together when folded
- Made from aluminium



Length	Width	Weight	Capacity	Stored Dims	Code Number
120cm	76cm		300kg/47st	120x39x8cm	P6433240
150cm	76cm		300kg/47st	150x39x8cm	P6433242
180cm	76cm		300kg/47st	180x39x8cm	P6433244
210cm	76cm		300kg/47st	210x39x8cm	P6433246

Ultralight - Combi

The Ultralight-Combi ramps can be used as either a straight or up & over threshold configuration. Ideally suited to work over UPVC thresholds and perfect for use when out and about in the car. Can be used either fully extended or partially extended depending on what length is required.

- Low kerbs and long level sides increase clearance
- Compact storage
- Contrasting colour edge strip increases visibility
- Full width anti-slip provides excellent grip
- Made from aluminium



Length	Width	Weight	Capacity	Stored Dims	Code Number
207cm	19cm	6.5kg/14lbs	300kg/47st	76x24.5x13cm	P6433250
276cm	19cm	8.4kg/19lbs	250kg/39st	102x24.5x13cm	P6433252
210cm	25cm	8kg/18lbs	300kg/47st	78x30.5x13cm	P6433254
300cm	25cm	11.4kg/23lbs	250kg/39st	108x30.5x13cm	P6433256

Doorline - Wedge

A simple threshold step to provide an easy solution for access from one level to another.

- Compact storage
- Full width anti-slip provides excellent grip
- Made from aluminium

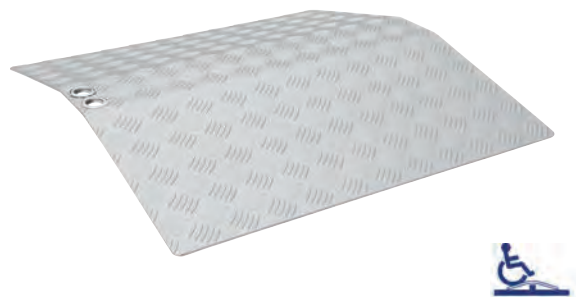


Length	Width	Height	Weight	Capacity	Code Number
25cm	72cm	4cm	2.6kg/6lbs	300kg/47st	P6433300
40cm	72cm	6cm	3.1kg/7lbs	300kg/47st	P6433302
50cm	72cm	8cm	4kg/9lbs	300kg/47st	P6433304
60cm	72cm	10cm	5kg/11lbs	300kg/47st	P6433306

Doorline - Bridge

The Doorline-Bridge offers a one step solution to bridging wide thresholds such as UPVC, providing easy access for both wheelchair users and those who require additional assistance.

- Compact storage
- Full width anti-slip provides excellent grip
- Made from aluminium



Length	Width	Height	Weight	Capacity	Code Number
56cm	70cm	4cm	3.3kg/7lbs	300kg/47st	P6433320
60cm	70cm	6cm	4kg/9lbs	300kg/47st	P6433322
81cm	70cm	8cm	6.8kg/15lbs	300kg/47st	P6433324
100cm	70cm	10cm	8.4kg/19lbs	300kg/47st	P6433326

Doorline - Neatedge90

Neatedge ramps are manufactured from weather resistant rubber and are perfect for doors with raised edging. The high loading capacity lends itself to numerous uses.

- Compact storage
- Full width anti-slip provides excellent grip
- Made from weather resistant rubber

Length	Width	Height	Weight	Capacity	Code Number
12cm	90cm	1.5cm	1.4kg/3.1lbs	500kg/79st	P6433330
20cm	90cm	2.5cm	3.3kg/7.3lbs	500kg/79st	P6433332
40cm	90cm	5cm	12kg/26.5lbs	500kg/79st	P6433334
60cm	90cm	7.5cm	26kg/57.3ins	500kg/79st	P6433336



Doorline - Variwedge

The doorline-Variwedge is the first doorline threshold ramp that be easily adjusted to meet a variety of needs. With an easy adjustment system that requires one key and in less than a minute you have your desired height.

- Compact storage
- Full width anti-slip provides excellent grip
- Adjustable height
- Made from Aluminium

Length	Width	Height Max - Min	Weight	Capacity	Code Number
15cm	74cm	3cm - 2cm	1.8kg/4lbs	300kg/47st	P6433310
25cm	74cm	5.5cm - 3.5cm	3kg/6.6lbs	300kg/47st	P6433312
50cm	74cm	10cm - 6cm	6kg/13.2lbs	300kg/47st	P6433314



Rollout-Trackway

Cover grass, gravel and other uneven surfaces for easy wheelchair and pedestrian access with this incredibly hard wearing product. Saves expensive construction work and can easily be cleaned, rolled up and stored. Can be trimmed to length or to fit round steps, flower beds, downpipes etc.

- Compact storage
- Full width anti-slip provides excellent grip
- Made from Rubber

Length	Width	Height	Weight	Code Number
150cm	90cm	1.5cm	12kg/26lbs	P6433380
250cm	90cm	2.5cm	20kg/44lbs	P6433382
500cm	90cm	500cm	40kg/88lbs	P6433384



Welcome-Giant half step

An ideal solution in offering a safe step-up to an outside doorway. Available in two sizes to suit a variety of spaces. Additional handrail supports and adjustable feet can be added to offer safer assistance

- Compact storage - 90cm/2'11" width
- Full width anti-slip provides excellent grip
- Made from Aluminium

Length	Height	Width	Weight	Code Number
75cm	1.5cm	60cm	12kg/26lbs	P6483400
90cm	2.5cm	75cm	20kg/44lbs	P6483402



Metro Folding Suitcase Ramp

A budget aluminium full width access solution.

- Compact storage

Length	Width	Weight	Capacity	Code Number
60cm	74cm	6kg/13.2lbs	272kg/43st	P6483450
90cm	74cm	8kg/17.6lbs	272kg/43st	P6483451
120cm	74cm	10.4kg/22.9lbs	272kg/43st	P6483452
150cm	74cm	13.2kg/29.1lbs	272kg/43st	P6483453
180cm	74cm	15.8kg/34.8lbs	272kg/43st	P6483454



Metro Telescopic Channel Ramps

A low cost solution for providing access into either a home, workplace or vehicle

- Compact storage

Length	Width	Weight	Capacity	Code Number
150cm	19cm	3.3kg/7.3lbs	272kg/43st	P6483460
180cm	19cm	3.9kg/8.6lbs	272kg/43st	P6483461
210cm	19cm	4.5kg/9.9lbs	272kg/43st	P6483462



Metro Half Step

A generous sized half step to provide assistance when accessing property. Comes complete with drainage holes and a slip resistant surface.

- Compact storage

Length	Width	Height	Weight	Capacity	Code Number
50cm	40cm	9cm	1.8kg/4lbs	200kg/31st	P6483470



Eco Freindly Ramp System

The modular ramp system has been carefully developed to suit your budgets, needs and time scale.

- Strength - 400kg capacity
- Powder coated hand rails
- Platform 1200 x 1200mm
- Adjustable legs
- Standard 800mm door plate





Daily Living solutions

Grab Rails

Phlexiwave Grab Rails	310 - 312
Fluted Grab Rails	313
Proteus Grab rails	314
Voda Grab Rails	315
Nova Grab Rails	316 - 317
Astral Grab Rails	318 - 319
Titan Grab Rails	320 - 321
Economy Grab Rails	322 - 323

External Hand Rail System

Phlexi-Clamp	324 - 325
--------------	-----------

Accessories

Hand Dryers	327 - 328
Toilet Tissue Dispensers	328 - 329
Paper Towel Dispensers	328 - 329
Soap Dispensers	328 - 329
Waste Bin	329
Portable Carer Screens	330
Mirrors	331
Ropox Nursing Tables	332 - 333

Surestop	334
Nova-Flow	334
Shower Pump	334
Nocalc	335
CalMag Scale Inhibitor	335
Basin, Bath and Sink Wastes	335 - 336
Apres Air Body Dryers	336
Low Surface Temperature Radiators	337

Bathroom Ventilation

Turbo	339
Air-star	339
Breeze	339
Hush	339
Extractor Vent	340
Access Panel	340
Simply Silent Range	340
Vent Axia	314

Anti Ligature

Door Fittings	343 - 344
Window Fittings	345
Washroom Fittings	345

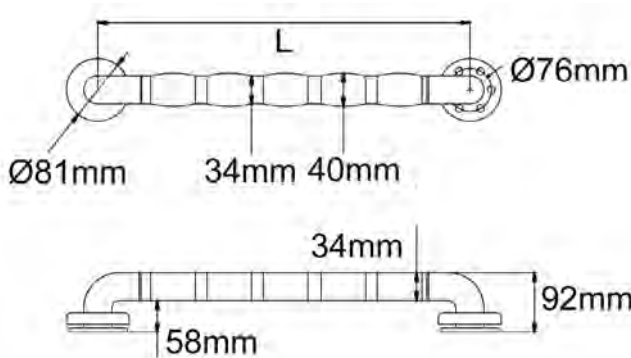


Phlexiwave

Grab Rails



Our highly engineered grab rail has been ergonomically designed with a natural ribbed shape for extra comfort and grip. The anti-bacterial coating and wipe clean surface is ideal for ease of daily use. The surface is wipe clean, durable and is not cold to touch.

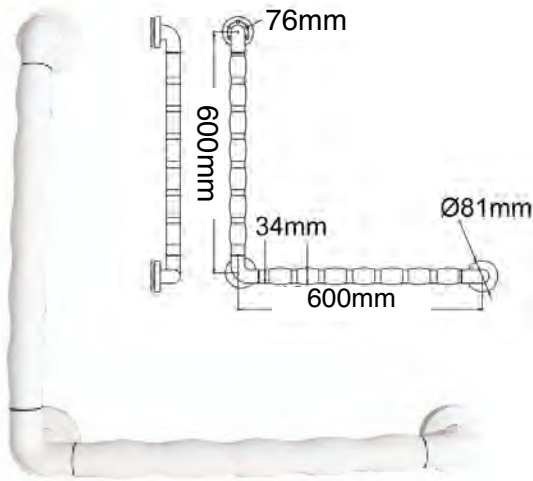


- Natural grip
- Five concealed fixing holes
- Click on cover plate
- ABS anti-bacterial coated tube
- Reinforced aluminium core
- Wipe clean surface
- Not cold to touch surface



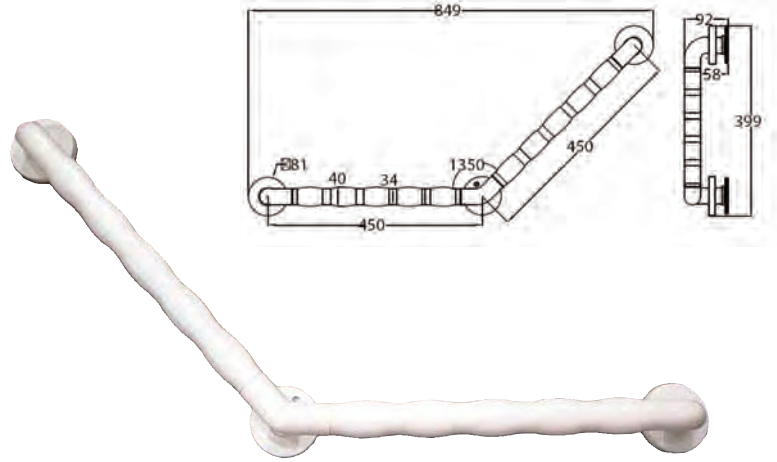
Overall projection from wall 92mm

Product	Colour	Code Number
Straight Rail 300mm	White	P6828765
Straight Rail 450mm	White	P6828766
Straight Rail 600mm	White	P6828767



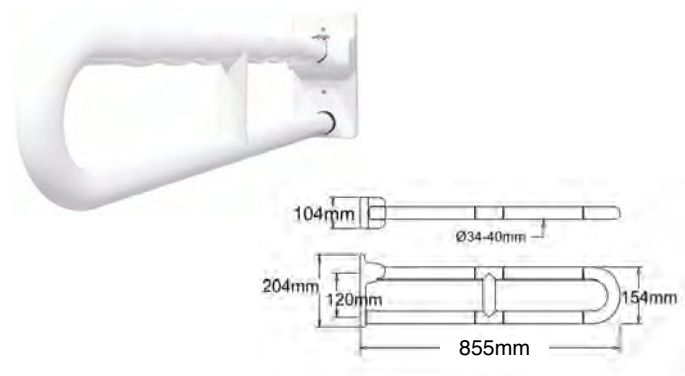
Overall projection from wall 92mm

Product	Colour	Code Number
90° 600 x 600mm	White	P6828816



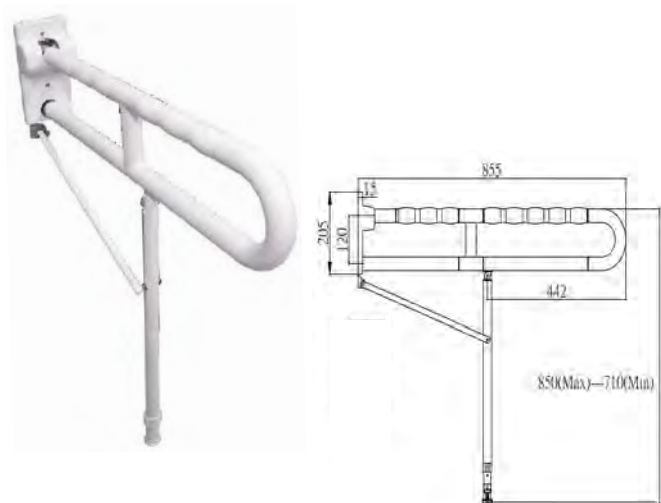
Overall projection from wall 92mm

Product	Colour	Code Number
135° Angle 450 x 450mm	White	P6828820

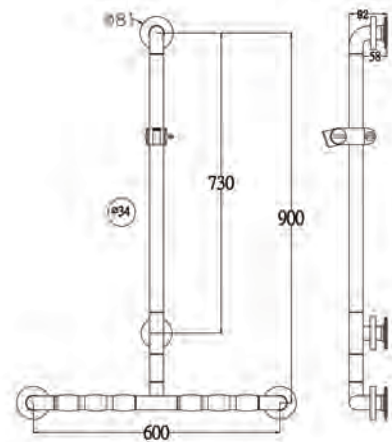


Product	Colour	Code Number
855mm Twin Folding Rail	White	P6828810

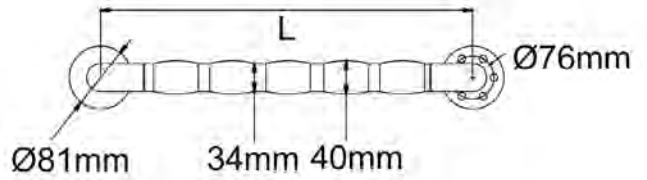
Product	Colour	Code Number
Toilet Roll Holder	White	P6828814



Product	Colour	Code Number
Twin Folding rail with adjustable leg	White	P6828812

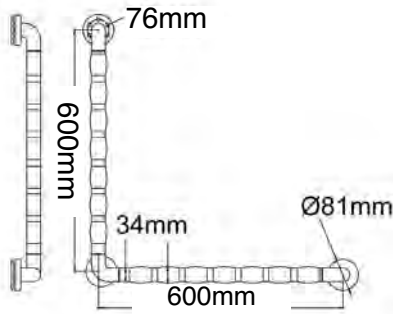
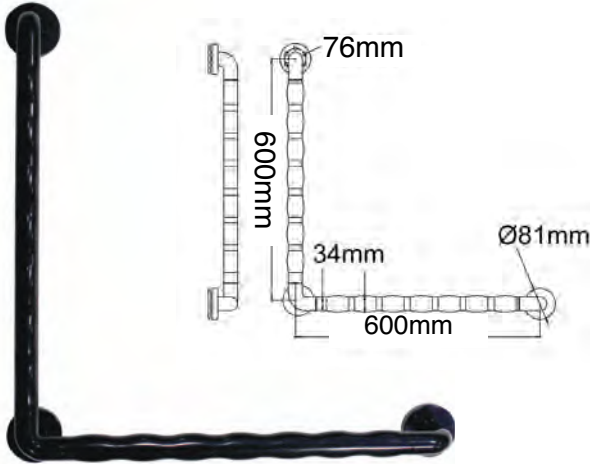
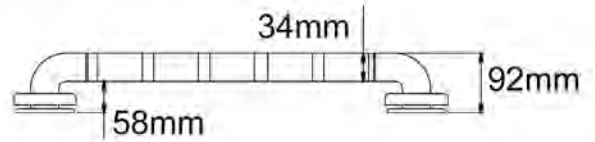


Product	Colour	Code Number
T Grab Rail with Shower Holder	White	P6828828



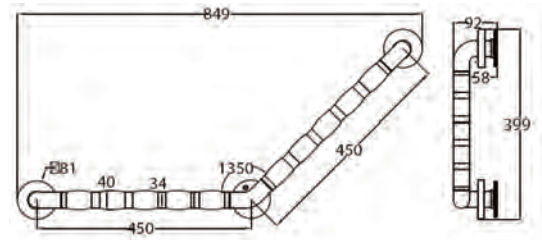
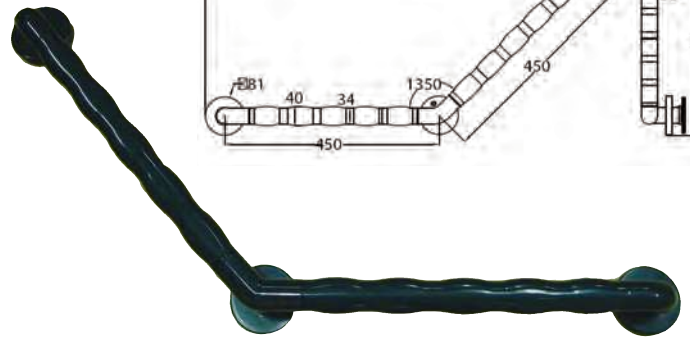
Overall projection from wall 92mm

Product	Colour	Code Number
Straight Rail 300mm	Blue	P6828761
Straight Rail 450mm	Blue	P6828762
Straight Rail 600mm	Blue	P6828763



Overall projection from wall 92mm

Product	Colour	Code Number
90 degree 600mm x 600mm	Blue	P6828818



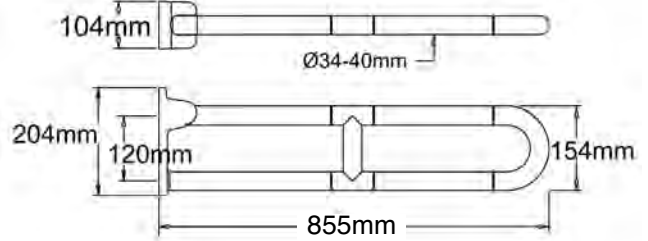
Overall projection from wall 92mm

Product	Colour	Code Number
135° Angle 450 x 450mm	Blue	P6828826

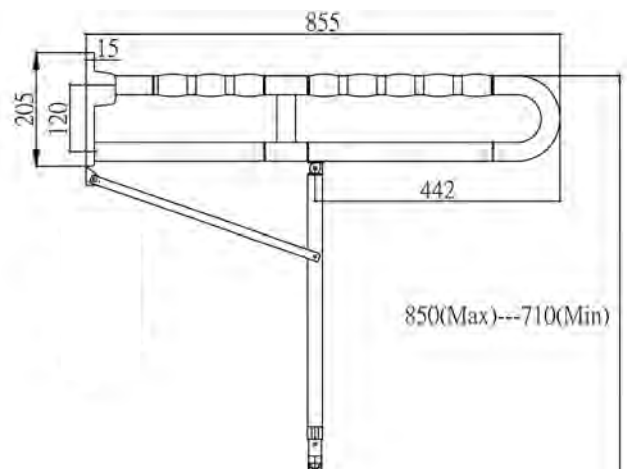


Product	Colour	Code Number
855mm Twin Folding rail	Blue	P6828811

Product	Colour	Code Number
Toilet Roll Holder	Blue	P6828815



Product	Colour	Code Number
Twin Folding rail with adjustable leg	Blue	P6828813



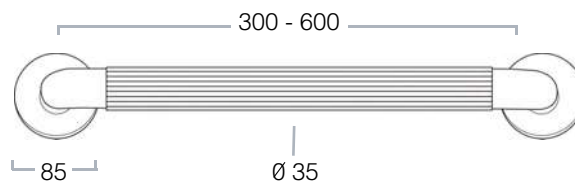


Fluted

Grab Rails



An economically priced range of rails comprising a ribbed structured surface for superb grip. The 35mm fully recyclable cadmium-free pvc fluted rail section offers very good slip resistance, whilst the material helps ensure a 'not cold to the touch' feel and negates the need for earth bonding. With the addition of a concealed fixing flange, this range offers extremely good value for money.



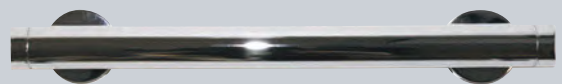
Overall projection from wall 85mm

Product	Colour	Code Number
Straight Rail 300mm	White	P6828772
Straight Rail 450mm	White	P6828773
Straight Rail 450mm	Blue	P6828768
Straight Rail 600mm	White	P6828774
Straight Rail 600mm	Blue	P6828769



Proteus

Grab Rails

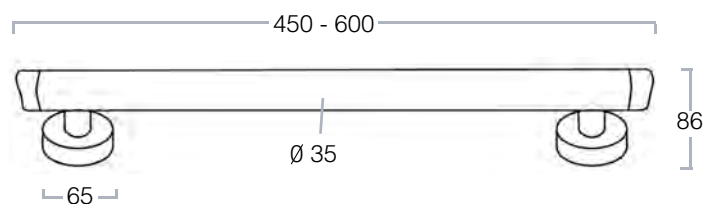


An award winning (BCFA Design Awards), contemporary style range of chrome support rails, ideal for the perfect finishing touch to any domestic or commercial disabled bathroom. Manufactured and finished to the highest specification and independently tested for strength and fatigue by the Furniture Industry Research Association.

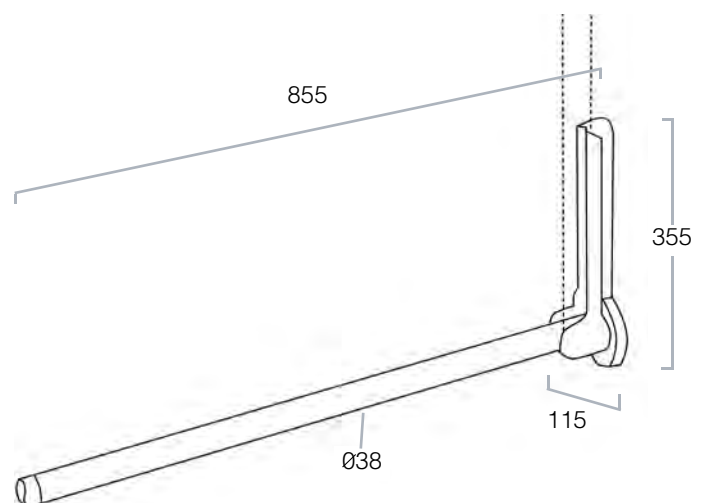


Overall projection from wall 86mm

Product	Colour	Code Number
Straight Rail 600mm	Chrome	P6851599
Straight Rail 450mm	Chrome	P6851594



Product	Colour	Code Number
Folding Rail 850mm	Chrome	P6851598





Voda

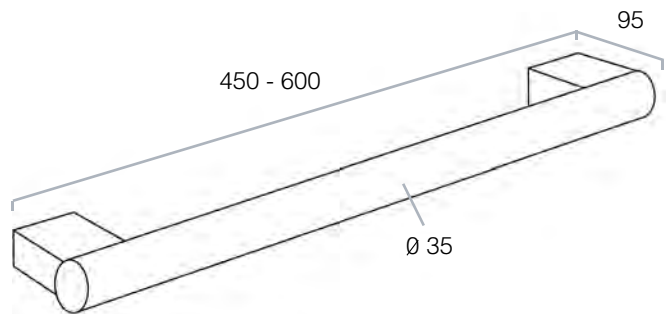
Grab Rails



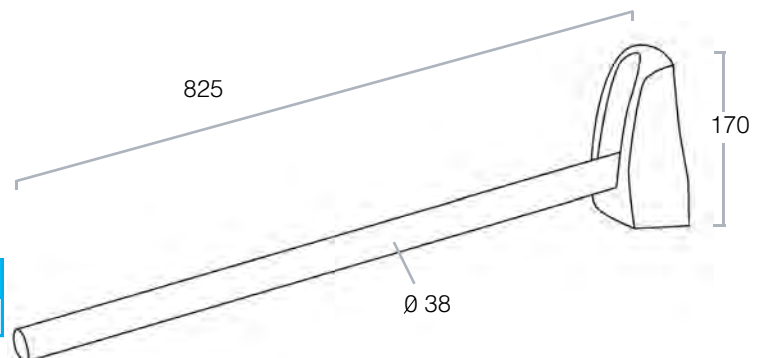
A striking range of chrome support rails that have been designed to combine the modern technologies of precision moulding with our traditional high quality standards in material finishing. The result is a superb looking range of rails that incorporate all the functionality of the more "standard" styles available on the market



Overall projection from wall 95mm



Product	Colour	Code Number
Straight Rail 600mm	Chrome	P6851596
Straight Rail 450mm	Chrome	P6851597



Product	Colour	Code Number
Folding Rail 825mm	Chrome	P6851595

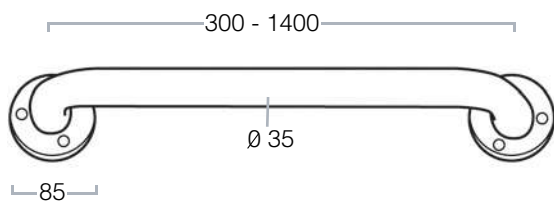


Nova

Grab Rails

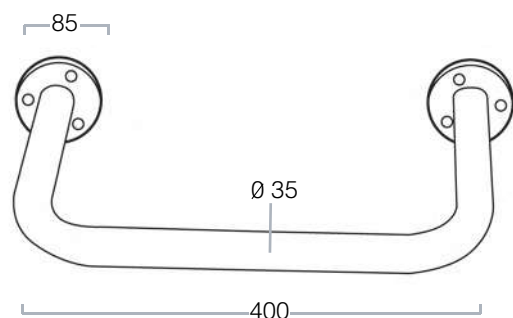


Our Nova range of rails are manufactured in hospital grade stainless steel and polished to an attractive and durable mirror finish. Ideal for use in commercial environments as well as domestic. Suitable for indoor, outdoor and wet area use.



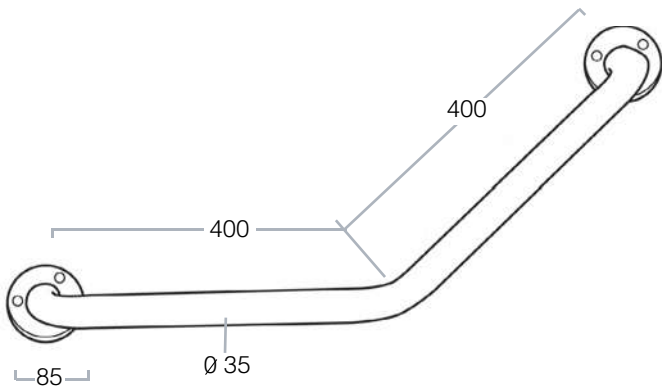
Overall projection from wall 120mm

Product	Colour	Code Number
Straight Rail 1400mm (3 Flange)	Polished S/S	P6856801
Straight Rail 1000mm	Polished S/S	P6856051
Straight Rail 700mm	Polished S/S	P6850121
Straight Rail 600mm	Polished S/S	P6856101
Straight Rail 500mm	Polished S/S	P6850101
Straight Rail 450mm	Polished S/S	P6856601
Straight Rail 300mm	Polished S/S	P6856401



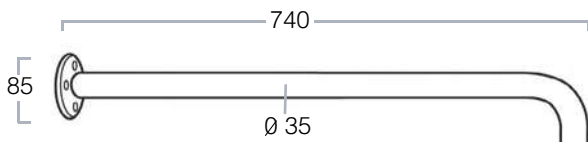
Overall projection from wall 260mm

Product	Colour	Code Number
400 x 260mm Backrest Rail	Polished S/S	P6856711

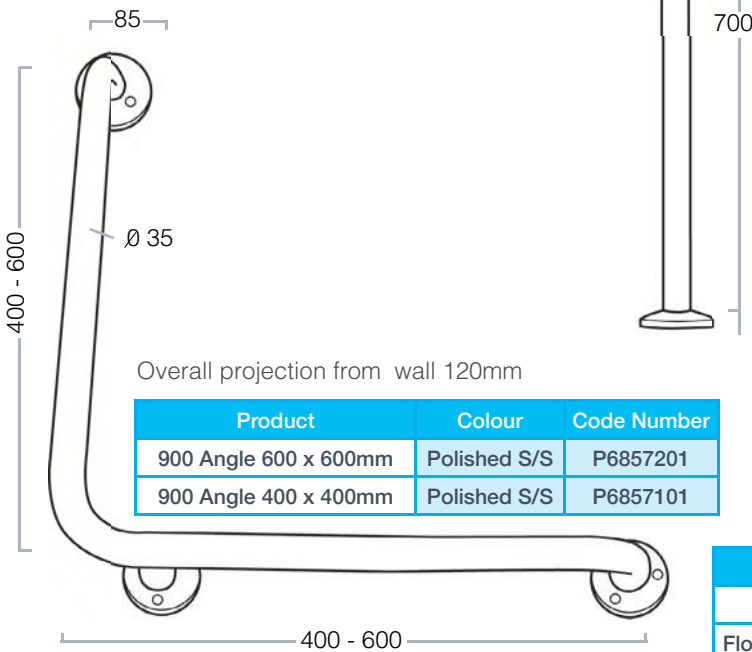


Overall projection from wall 120mm

Product	Colour	Code Number
450 Angle 400 x 400mm	Polished S/S	P6857301

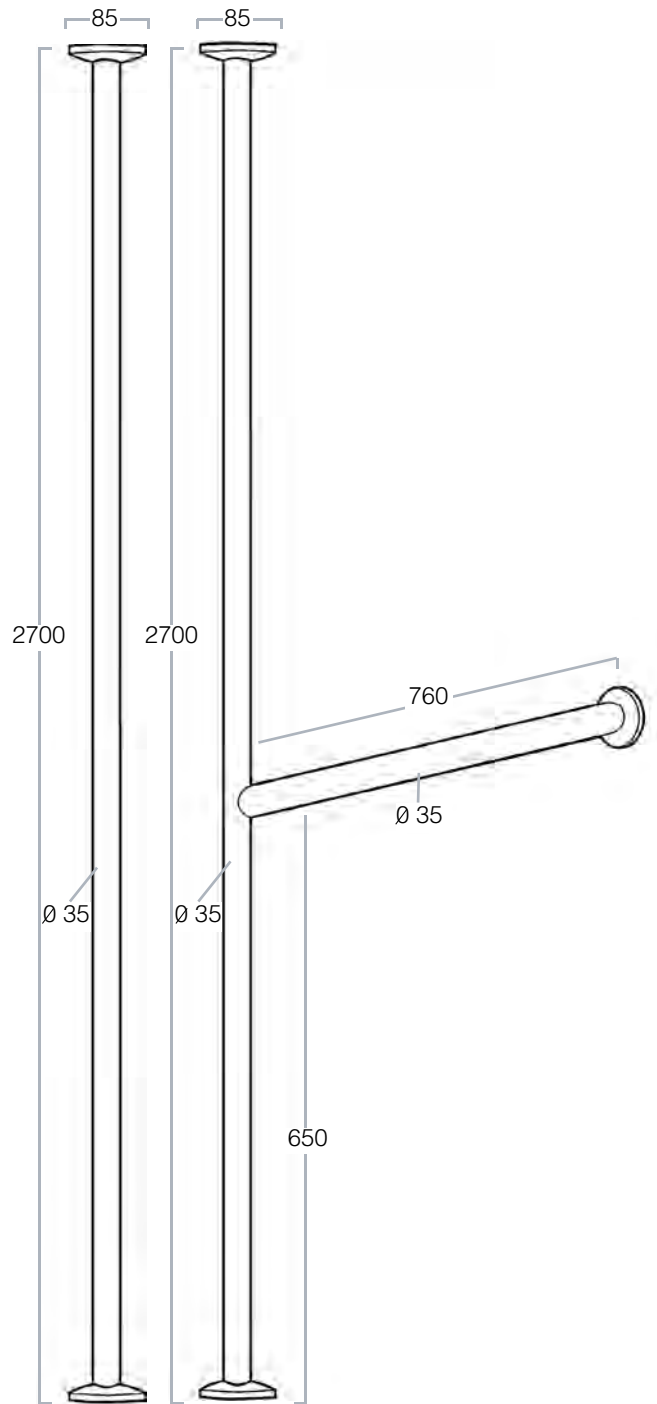


Product	Colour	Code Number
Support Rail 740 x 700mm	Polished S/S	P6851101

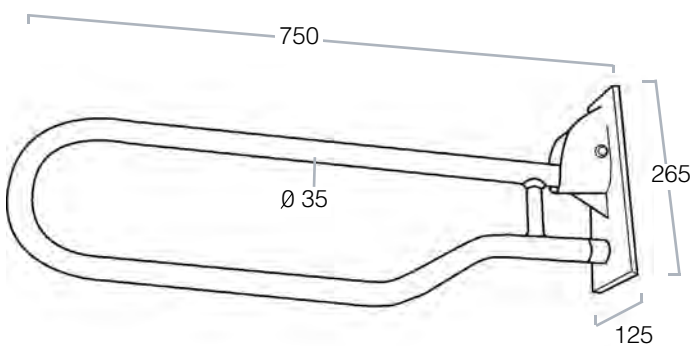


Overall projection from wall 120mm

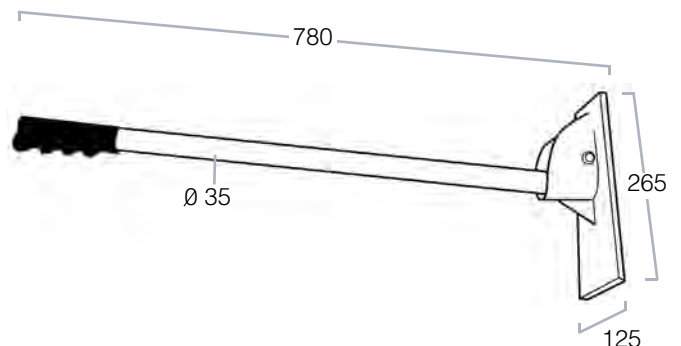
Product	Colour	Code Number
900 Angle 600 x 600mm	Polished S/S	P6857201
900 Angle 400 x 400mm	Polished S/S	P6857101



Product	Colour	Code Number
Floor - Ceiling 2700mm	Polished S/S	P6856201
Floor - Ceiling/Wall 2700 x 760mm	Polished S/S	P6856301



Product	Colour	Code Number
Twin Folding 750mm	Polished S/S	P6851750



Product	Colour	Code Number
Single Folding 780mm	Polished S/S	P6851600

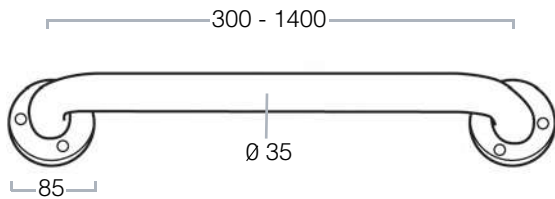


Astral

Grab Rails

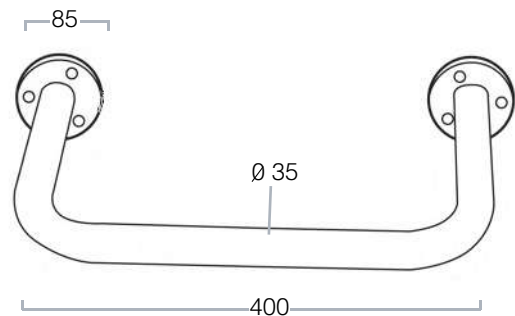


Our collection of Astral grab rails are available in a variety of configurations for specific requirements. Manufactured using stainless steel with a powder coated finish. Suitable for indoor, outdoor and wet area use.



Overall projection from wall 120mm

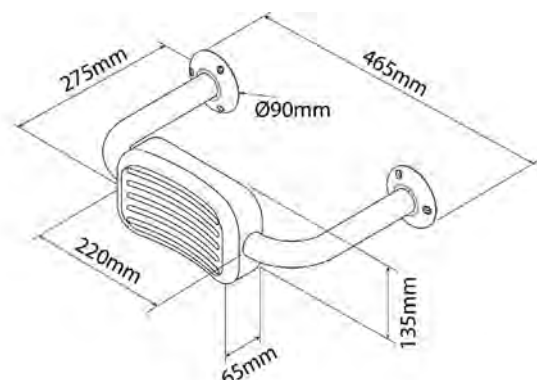
Product	Colour	Code Number
Straight Rail 1400mm (3 Flange)	White	P6856811
Straight Rail 1000mm	White	P6856071
Straight Rail 700mm	White	P6850122
Straight Rail 600mm	White	P6856111
Straight Rail 600mm	Red	P6856112
Straight Rail 500mm	White	P6850102
Straight Rail 450mm	White	P6856611
Straight Rail 300mm	White	P6856411

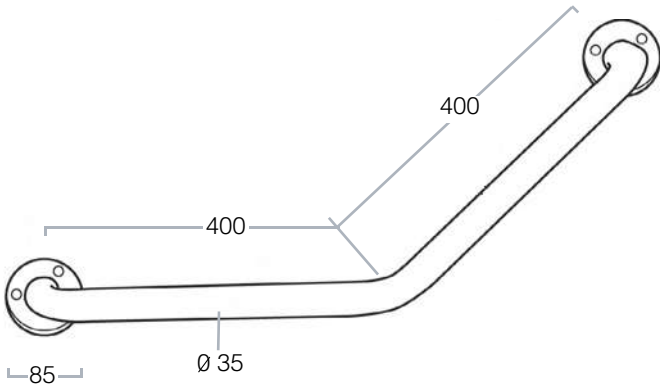


Overall projection from wall 260mm

Product	Colour	Code Number
400 x 260mm Backrest Rail	White	P6856701
400 x 260mm Backrest Rail	Red	P6856702

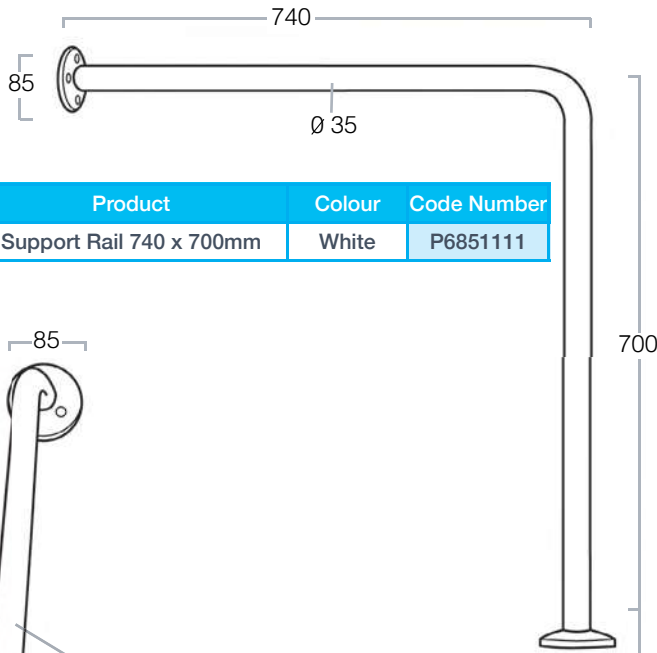
Product	Colour	Code Number
465 x 275mm Backrest	White	P6856703



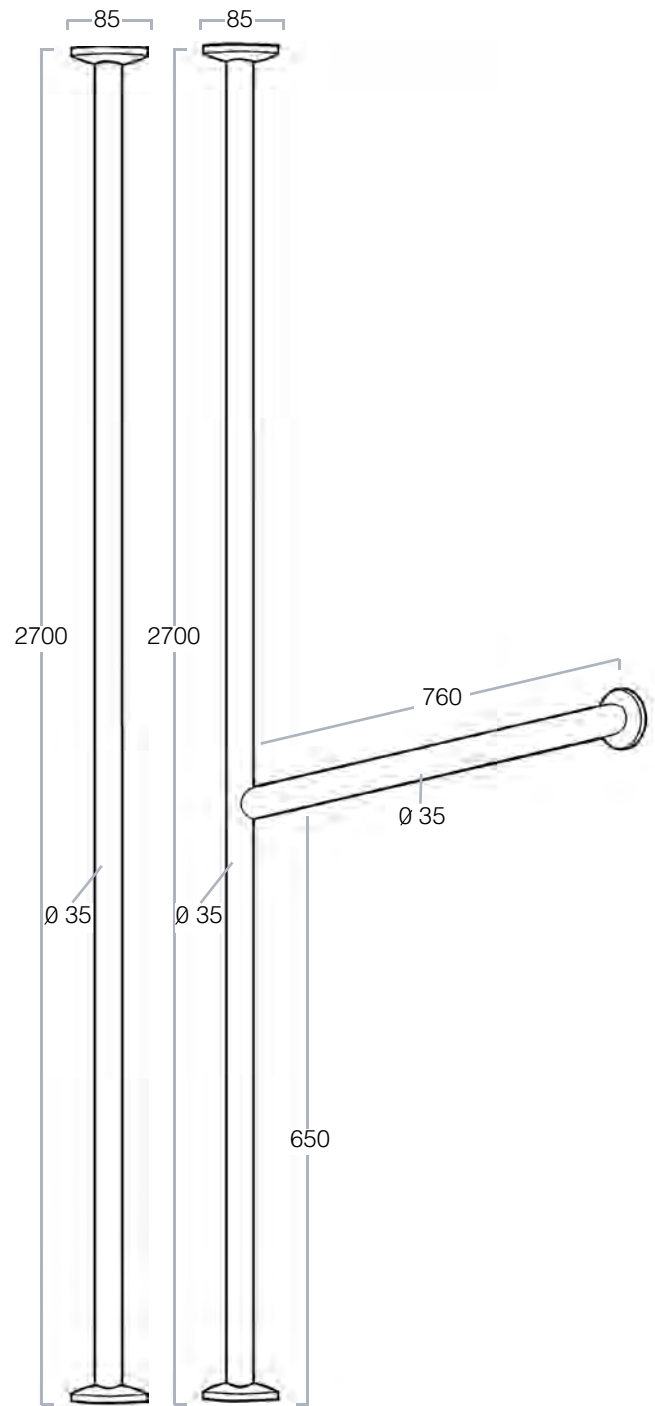


Overall projection from wall 120mm

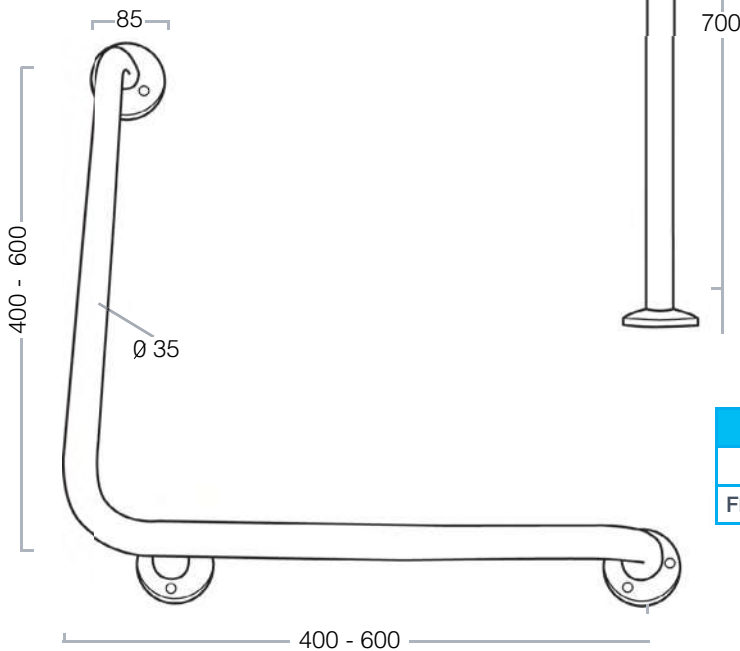
Product	Colour	Code Number
45° Angle 400 x 400mm	White	P6857311
45° Angle 400 x 400mm	Red	P6857312



Product	Colour	Code Number
Support Rail 740 x 700mm	White	P6851111



Product	Colour	Code Number
Floor - Ceiling 2700mm	White	P6856211
Floor - Ceiling/Wall 2700 x 760mm	White	P6856311



Overall projection from wall 120mm

Product	Colour	Code Number
90° Angle 600 x 600mm	White	P6857211
90° Angle 600 x 600mm	Red	P6857212
90° Angle 400 x 400mm	White	P6857111
90° Angle 400 x 400mm	Red	P6857112

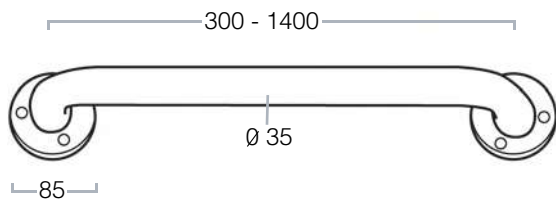


Titan

Grab Rails

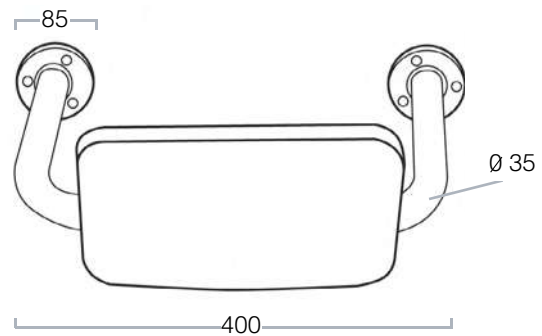


Our classic range of steel rails, coated in a hardwearing polyester finish, enabling Titan rails to be used throughout the building in relatively dry environments.



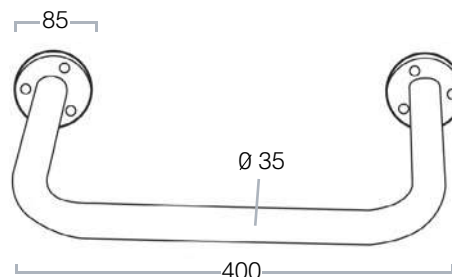
Overall projection from wall 120mm

Product	Colour	Code Number
Straight Rail 1400mm (3 Flange)	White	P6850301
Straight Rail 1000mm	White	P6850206
Straight Rail 700mm	White	P6850205
Straight Rail 600mm	White	P6850204
Straight Rail 600mm	Blue	P6851756
Straight Rail 500mm	White	P6850203
Straight Rail 450mm	White	P6850202
Straight Rail 300mm	White	P6850201



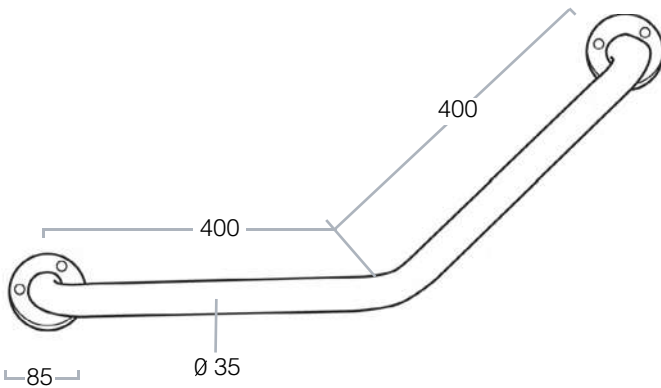
Overall projection from wall 260mm

Product	Colour	Code Number
400 x 260mm Backrest Rail	Blue	P6850410
400 x 260mm Backrest Rail with Pad	Blue	P6850415



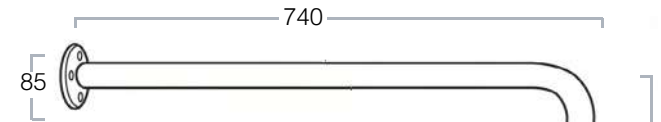
Overall projection from wall 260mm

Product	Colour	Code Number
400 x 260mm Backrest Rail	White	P6850401
400 x 260mm Backrest Rail with Pad	White	P6850416

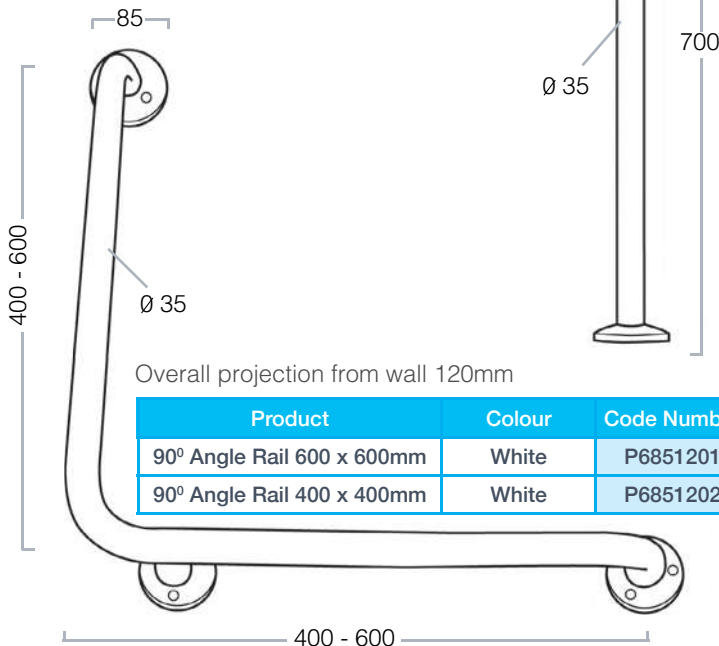


Overall projection from wall 120mm

Product	Colour#	Code Number
45° Angle 400 x 400mm	White	P6851203

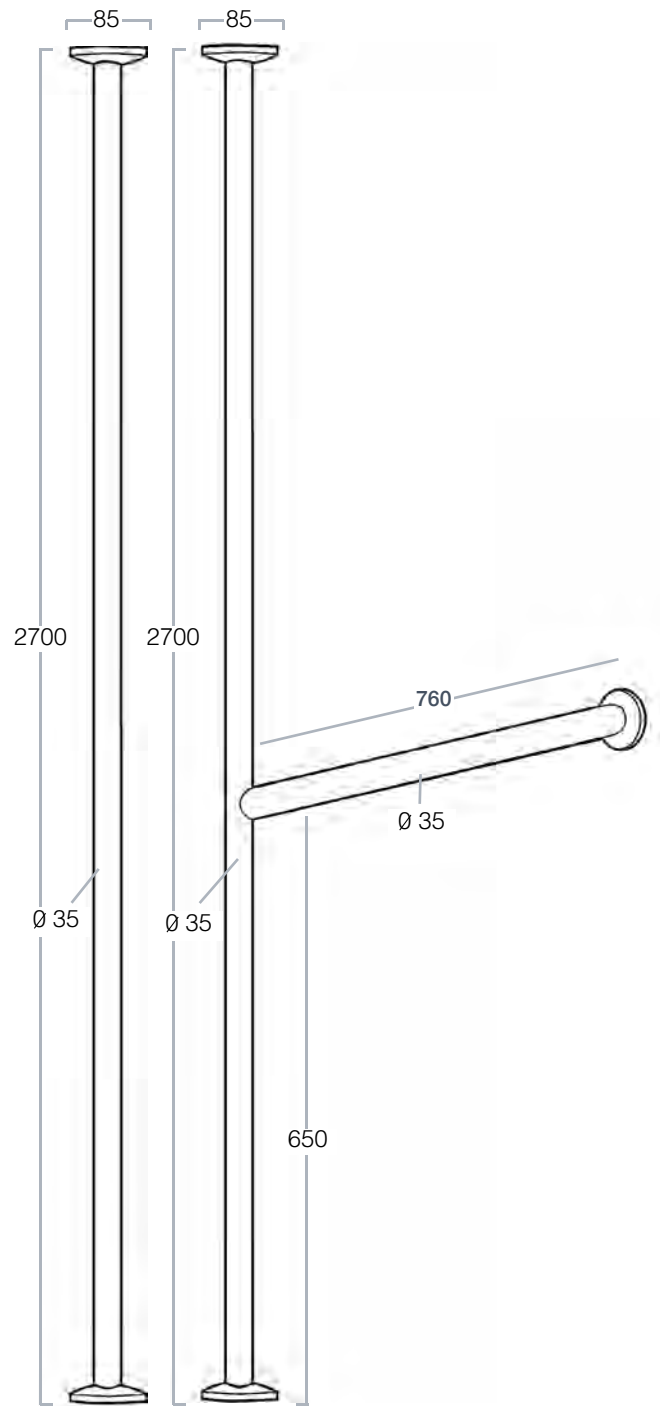


Product	Colour	Code Number
Support Rail 740 x 700mm	White	P6850501

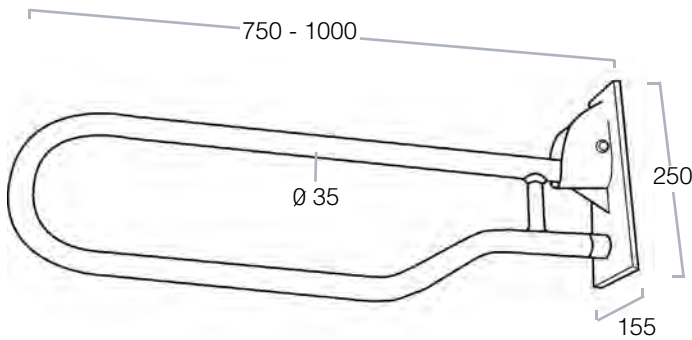


Overall projection from wall 120mm

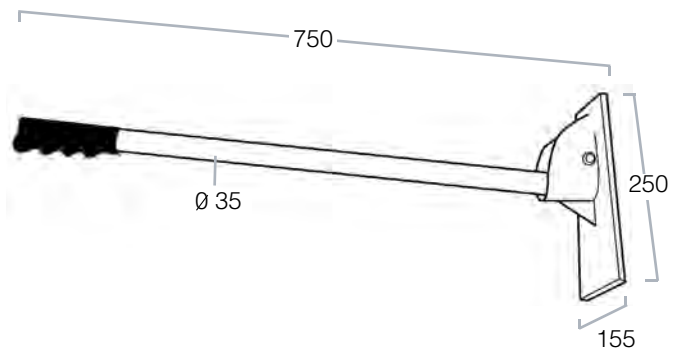
Product	Colour	Code Number
90° Angle Rail 600 x 600mm	White	P6851201
90° Angle Rail 400 x 400mm	White	P6851202



Product	Colour	Code Number
Floor - Ceiling 2700mm	White	P6851301
Floor - Ceiling/Wall 2700 x 760mm	White	P6851311



Product	Colour	Code Number
Twin Folding 750mm	White	P6851751
Twin Folding 750mm	Blue	P6851752
Twin Folding 1000mm	White	P6851701



Product	Colour	Code Number
Single Folding 750mm	White	P6851601

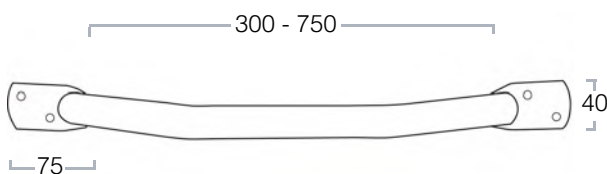


Economy

Grab Rails

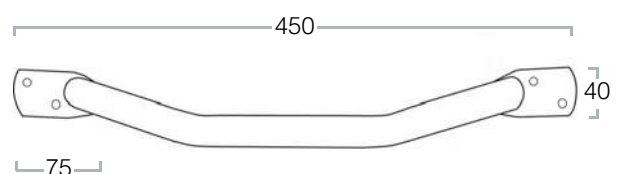


Our economy rails offer handy support in relatively dry areas. The unique offset rail allows fitting close to doors and enclosed spaces. The floor support allows grab rails to be fitted where the wall substrate is either unknown or too weak to take a grab rail. The drop down rails with legs completes the range.



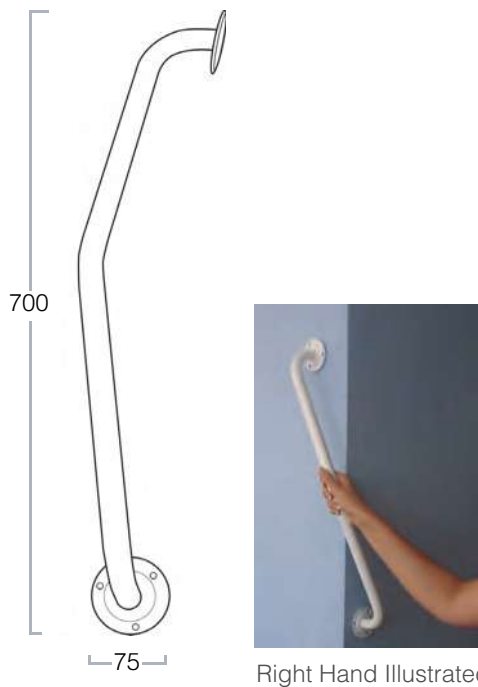
Overall projection from wall 65mm

Product	Colour	Code Number
Straight Rail 750mm	White	P6828779
Straight Rail 600mm	White	P6828777
Straight Rail 450mm	White	P6828776
Straight Rail 300mm	White	P6828775



Overall projection from wall 65mm

Product	Colour	Code Number
Offset Rail 450mm	White	P6828778



Right Hand Illustrated

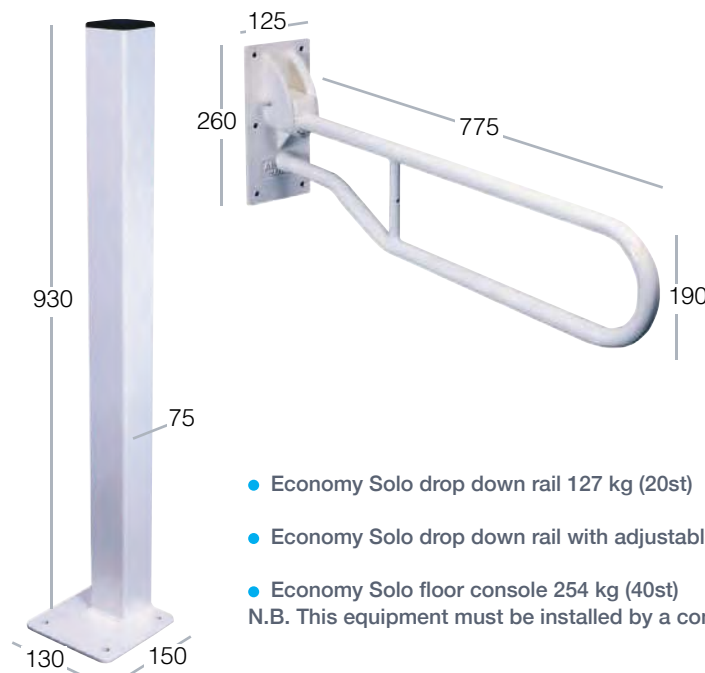
Overall projection from wall 110mm

Product	Handed	Colour	Code Number
Newel Rail 700mm	Left Hand	White	P6828780
Newel Rail 700mm	Right Hand	White	P6828781



Height adjustment
710 - 870mm
Tested to 18st

Product	Colour	Code Number
Looped Fold Down Rail with Leg	White	P6835152



- Economy Solo drop down rail 127 kg (20st)
 - Economy Solo drop down rail with adjustable leg 190kg (30st)
 - Economy Solo floor console 254 kg (40st)
- N.B. This equipment must be installed by a competent person.



Height adjustment
565 - 640mm

Where it is not possible to fix to a wall, the floor console provides support to users. The rails can be used independently as standard grab rails.

Product	Colour	Code Number
Floor console support	White	P6828742
Drop down Rail 775mm	White	P6828743
Drop down Rail 650mm	White	P6828744
Drop down Rail 600mm	White	P6828745

Product	Colour	Code Number
Drop down Rail with adj. leg 775mm	White	P6828746
Drop down Rail with adj. leg 650mm	White	P6828747
Drop down Rail with adj. leg 600mm	White	P6828748



Phlexiclamp

Handrail System

The Phlexiclamp handrail system has been specially designed to comply with the Equality Act and the Building Regulations Document M:2009. Unlike many brands, it is assembled very quickly and easily by hexagon key, with no riveting, drilling of tube, welding, threading or specialist tools required. Furthermore, no other special fittings are required, which enables full integration with both new systems and the refurbishment or upgrading of existing tubular structures to help meet the newer access specifications.



Features and Benefits:

- Designed to help compliance with the Equality Act 2009 and the Building Regulations Document M:2009
- Quick cost-effective assembly by hexagon key: unlike many brands, no riveting, drilling of tube, welding, threading or special tools required
- Unlike some products, no other special fittings required. Full integration with standard ranges
- Smooth flush fitting on C42 tube (42.4mm OD x 3.2mm wall thickness)
- Easy accommodation of steps and disabled access slopes
- Tubes may be powder coated in colour to help meet 'not cold to touch' and contrasting colour requirements
- Seven standard colours available
- Galvanised finish to BS EN ISO 1461. Cut tube ends to be treated with Silver Galvanising Spray (390)

In common with type 150, tubes must be 42.4mm OD x 3.2mm wall thickness e.g. 1¼" medium weight to BS EN 10255 (formerly BS 1387). All cut tube ends must be de-burred and treated with a suitable protection. Optional O-rings may be fitted to each end of the expanding Phlexiclamp fittings to achieve the best finish.

90° Bend

Manufactured from galvanised tube to form 90° corners with the minimum of parts.



Product	Code Number
90° Bend	H6700024

180° Rail Return

Manufactured from galvanised tube to allow neat return of the handrail back to the middle rail.



Product	Code Number
180° Rail Return	H6700025

Termination (Single)

Designed to reduce the risk of clothing being caught on the end of handrails when fitted. This item is supplied with a plastic stop end fitted to one end.



Product	Code Number
Termination (Single)	H6700026

90° Elbow

90° elbow to suit 1¼" medium weight tube to BS EN 10255 (formerly BS 1387). Alternatively can be used with Wall Flange below to terminate handrail to a wall.



Product	Code Number
90° Elbow	H6700027

Wall Flange

Used in conjunction with elbow above (H6700027) to terminate handrail neatly into wall. N.B. This item is not suitable for direct connection to tube or fittings other than type H6700027.



Product	Code Number
Wall Flange	H6700028

Wall Bracket

To attach the handrail to a wall at any angle.



Product	Code Number
Wall Bracket	H6700029

Internal Swivel Bracket

To attach handrail to an upright at any angle when used in conjunction with other components.



Product	Code Number
Internal Swivel Bracket	H6700030

Fitting with Male Lug

Designed to attach a free-standing handrail to an upright at any angle when used in conjunction with type 173F (not shown). Bolts & nuts are supplied separately at extra cost.



Product	Code Number
Fitting with Male Lug	H6700031

O Ring

An optional extra to be fitted to each end of the expanding fittings, to attain the best finish.



Product	Code Number
O Ring (Optional)	H6700032

Handrail Tube

Galvanised tube 42.4mm OD x 3.25 metre length.



Product	Code Number
Handrail Tube	H6700033

Internal Corner Bracket

Galvanised 900 to suit 1¼" medium weight tube



Product	Code Number
Internal Bracket	H6700053

External Corner Bracket

Galvanised 900 to suit 1¼" medium weight tube



Product	Code Number
External Bracket	H6700035



Accessories

To complete any bathroom or toileting space, the choice of accessories is important to ensure hassle free, inclusive use for all. Whether a hand dryer or soap dispenser is required, we offer a wide variety for both commercial and domestic use, to suit the application and user.



Baby Changing Facilities



Range of Automatic Operation Hand Dryers



Washroom and Accessible Toilet Dispensing Systems



Surestop for Instant Water Shut-Off

Automatic Operation Hand Dryer

- Stainless steel casing, satin finish
- Sound level 70+- 3db
- Drying time 23 seconds approx
- Drip proof IP23
- Dimensions H248 x W284 x D202
- Weight 7.0kgs
- Electrics 2.4kw 230/240v

Product	Code Number
Fixed Head	S2939006
Swivel Head	S2939007



Automatic Operation Hand Dryer

- Stainless steel casing, satin finish
- Sound level 70+- 3db
- Drying time 23 seconds approx
- Drip proof IP23
- Dimensions H248 x W284 x D202
- Weight 7.0kgs
- Electrics 2.4kw 230/240v

Product	Code Number
Fixed Head	S2939008
Swivel Head	S2939009



Automatic Operation Hand Dryer

- Stainless steel casing, satin finish
- Sound level 80+- 5db
- Drying time 15-20 seconds approx
- Drip proof IPX1
- Dimensions H274 x W227 x D177
- Weight 4.8kgs
- Electrics 1.5kw 230/240v

Product	Code Number
Fixed Head	S2939010



Automatic Operation Hand Dryer

- Stainless steel casing, satin finish
- Sound level 70+- 3db
- Drying time 20-25 seconds approx
- Rip proof IPX1
- Dimensions H217 x W314 x D179
- Weight 6.1kgs
- Electrics 2.2kw 230/240v

Product	Code Number
Fixed Head	S2939011



Automatic Operation Hand Dryer

- White painted casing, aluminium plated
- Sound level 70+- 5db
- Drying time 20-25 seconds approx
- Drip proof IPX1
- Dimensions H220 x W320 x D175mm
- Weight 6.1kgs
- Electrics 2.2kw 230/240v



Product	Code Number
Fixed Head	S2939003



Toilet Tissue Dispenser - Refillable

- Ideal for commercial washrooms
- Fits multiflat or bulk pack paper up to 125mm width
- Capacity – 230mm stack
- ABS cover, backplate and window
- Dimensions – H275 x W150 x D130mm
- Locking cover
- Complete with fixings



Product	Code Number
Toilet Tissue Dispenser	S2944001
Toilet Tissue (36 packs per box)	S2944011

Hand Towel Dispenser - Refillable

- Ideal for commercial washrooms
- Fits interleaved or 'C' fold hand towels up to 255mm width
- Capacity – 190mm stack
- ABS cover, backplate and window
- Dimensions – H425 x W290 x D145mm
- Locking cover
- Complete with fixings



Product	Code Number
Hand Towel Dispenser	P6834301
Interleaved Hand Towels (3500 per box)	P6834311

Soap Dispenser - Refillable

- Simple operation – push cover to dispense
- 900ml refillable reservoir
- ABS cover, backplate and window
- Dimensions – H250 x W115 x D115mm
- Locking cover
- Complete with fixings



Product	Code Number
Soap Dispenser	P6834201

Hand Towel Dispenser - Refillable

- Ideal for commercial washrooms
- Stylish modern design
- Fits interleaved or 'C' fold hand towels up to 255mm width
- Capacity – 200mm stack (2 sleeves)
- ABS backplate, PET window, lacquered stainless steel cover plate
- Dimensions – H325 x W325 x D150mm
- Locking cover
- Complete with fixings

Product	Code Number
Hand Towel Dispenser	S2942020
Interleaved Hand Towels (3500 per box)	P6834311



Toilet Tissue Dispenser - Refillable

- Ideal for commercial washrooms
- Stylish modern design
- Fits multiflat or bulk pack paper
- Capacity – 220mm stack (2 sleeves)
- ABS backplate, PET window, lacquered stainless steel cover plate
- Dimensions – H310 x W180 x D125mm
- Locking cover
- Complete with fixings

Product	Code Number
Toilet Tissue Dispenser	S2942021
Toilet Tissue (36 Packs per box)	S2944011



Soap Dispenser - Refillable

- Press coverplate to operate – easy action
- Stylish modern design
- 900ml refillable reservoir
- ABS backplate, PET window, lacquered stainless steel cover plate
- Dimensions – H255 x W130 x D120mm
- Locking cover
- Complete with fixings

Product	Code Number
Soap Dispenser	S2942022



Waste Bin

- Can be wall or floor mounted
- Stylish modern design
- Suite a range of refuse sacks
- ABS backplate, PET window, lacquered stainless steel cover plate
- Dimensions –
 - Floor mounted H760 x W400 x D125mm
 - Wall mounted H665 x W400 x D125mm
- Complete with fixings
- 25 litre capacity

Product	Code Number
Waste Bin Wall Mounted	S2942023
Floor Mounting Stand	S2942024



L Shaped - Carer screen

- Lightweight
- Portable
- Screen Height 750mm
- Screen Weight (700mm) 6.5kg
- Screen Weight (900mm) 7kg
- White Coated Aluminium Frame
- PETG Panels

Product	Code Number
700 x 700mm Panels	P6831602
900 x 900mm Panels	P6831603



U Shaped - Carer screen

- Lightweight
- Portable
- Screen Height 750mm
- Screen Weight 8kg
- White Coated Aluminium Frame
- PETG Panels
- 2x 450mm Outer Panels and 2x 300mm Inner Panels

Product	Code Number
2x 450mm - 2x 300mm Panels	P6831604

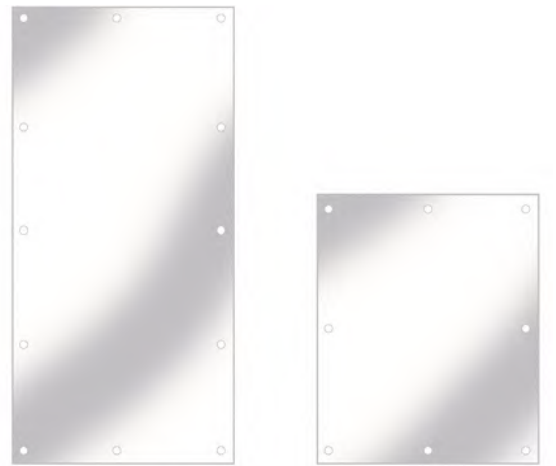


Mirrors

5mm Acrylic

Acrylic mirrors, lighter than glass, safer than glass and with a similar reflective quality.

Product	Material	Code Number
600 x 450mm 8 Holes	Acrylic	P6834121
1000 x 400mm 12 Holes	Acrylic	P6834131

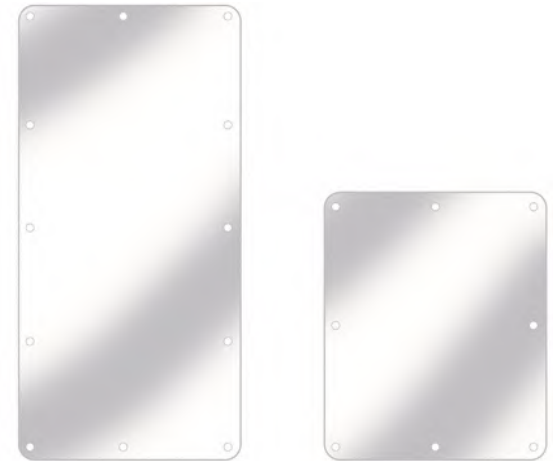


Mirrors

20 Gauge Stainless Steel

Stainless Steel mirrors, highly polished 20 gauge with radius corners, delivers a fine reflective quality and a long life.

Product	Material	Code Number
600 x 450mm 8 Holes	Stainless Steel	P6834101
1000 x 400mm 12 Holes	Stainless Steel	P6834111

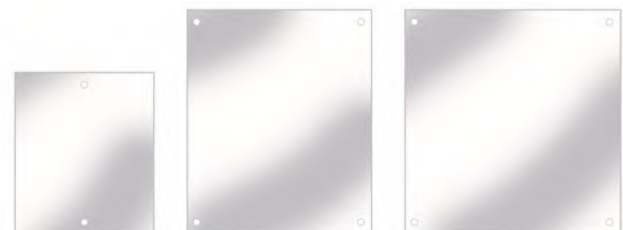


Mirrors

Glass 4mm

4mm glass mirror, complete with drilled holes and fixings.

Product	Material	Code Number
457 x 305mm 2 Holes	Glass	S2000301
610 x 457mm 4 Holes	Glass	S2000302
610 x 610mm 4 Holes	Glass	S2000303



Mirrors

Glass Bevelled 4mm

4mm bevelled glass mirror, complete with drilled holes and fixings.

Product	Material	Code Number
457 x 305mm 2 Holes	Glass	S2000304
610 x 457mm 4 Holes	Glass	S2000305
610 x 610mm 4 Holes	Glass	S2000306

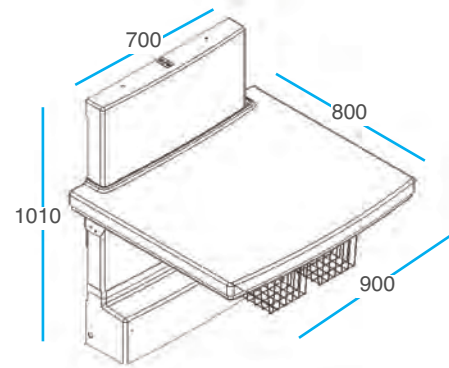
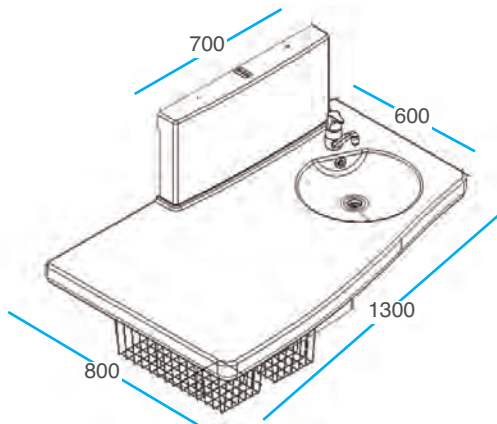


Ropox Maxi 2 Nursing Table

A unique, floor mounted, height adjustable nursing table with integrated sink that allow users to optimise on space, whilst considering the users' posture. The table can be lowered to 400mm to enable children to climb on. The design offers an improved working environment for hygiene and safety, due to the rounded edge design and easy clean surface. The shape of the tables allows for the baby to be positioned vertically or horizontally if the nursing bench is placed in a restricted space. The safety mechanism installed stops the bench moving should there be an obstacle during height adjustment.



- Floor mounted
- Height Adjustment 400-1000 mm
- Tested Load upto 75kg



Product	Code Number
Electric 1300 x 800mm with Basin, Tap & Kit	P7120039
Electric 900 x 800mm and Kit (no basin)	P7120040

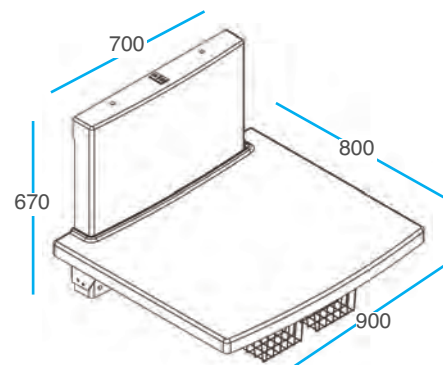
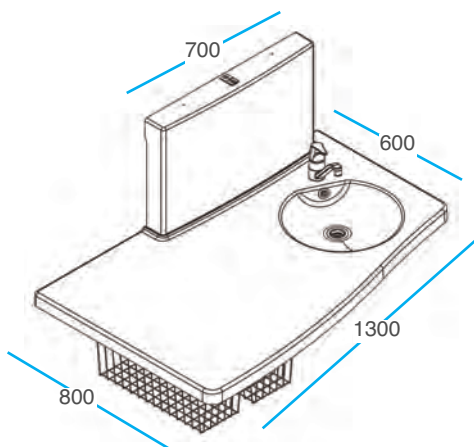
Product	Code Number
20mm Spacer	P7120041
80mm Spacer	P7120042

Ropox Medi 2 Nursing Table

Medi 2 is a wall mounted, height adjustable nursing table with integrated sink that allow users to optimise on space, whilst considering the users' posture. The design offers an improved working environment for hygiene and safety, due to the rounded edge design and easy clean surface. The shape of the tables allows for the baby to be positioned vertically or horizontally if the nursing bench is placed in a restricted space. The safety mechanism installed stops the bench moving should there be an obstacle during height adjustment.



- Wall mounted
- Height Adjustment 650 -1000 mm
- Tested Load upto 75kg



Product	Code Number
Electric 1300 x 800mm with Basin, Tap & Kit	P7120043
Electric 900 x 800mm and Kit (no basin)	P7120044

Product	Code Number
Safety Stop for 1300mm P7120043	P7120046
Safety Stop for 900mm P7120044	P7120045
Support Legs	P7120047
20mm Spacer	P7120048



Accessories for Ropox Maxi 2 and Medi 2 Nursing Tables

Product	Code Number
880 x 700mm Grey Mattress to Suite 900mm Ropox Nursing Table P7120040/44	P7120049
800 x 750mm Grey Mattress to Suit 1300mm Ropox Nursing Table P7120039/43	P7120050
820 x 1050mm Side Covers for Maxi 2 & Medi 2 Nursing Tables	P7120051
610 x 1050mm Side Covers for Maxi 2 & Medi 2 Nursing Tables	P7120052
760 x 1050mm Side Covers for Maxi 2 & Medi 2 Nursing Tables	P7120053

Product	Code Number
Battery No Touch Tap to suit Maxi 2 & Medi 2 Nursing Table	P7120054
Battery No Touch Tap & H/Shower to Suit Maxi 2 & Medi 2 Tables	P7120055
White Frame Beechwood Steps 3-Step Ladder for Maxi 2 & Medi 2 Table	P7120056
Extra Control With Safety Stop for Maxi 2 & Medi 2 Table	P7120057
Extra Control Without Safety Stop for Maxi 2 & Medi 2 Table	P7120058

Baby Minders

Installing a Babyminder® changing station (horizontal or vertical) provides parents with a safe, convenient and hygienic changing facility in away from home locations. The Babyminder® Infant Safety Seat provides parents with a safe means of restraining an infant or toddler.

- Dimensions - H510 x W872 x D513mm Horizontal
- H899 x W560 x D903mm Vertical
- Projection - 102mm when closed
- Capacity - Upto 30 liners
- Opening Angle - 87° slightly tilting to wall
- Tested - Up to 90kg

Product	Colour	Code Number
Baby Minder Horizontal	White	P7120030
Baby Minder Horizontal	Granite	P7120031
Baby Minder Vertical	White	P7120033
Baby Minder Vertical	Granite	P7120034
Baby Minder Infant Safety Seat	White	P7120037
Baby Minder Infant Safety Seat	Granite	P7120038
Baby Minder Liners (box of 500)		P7120036

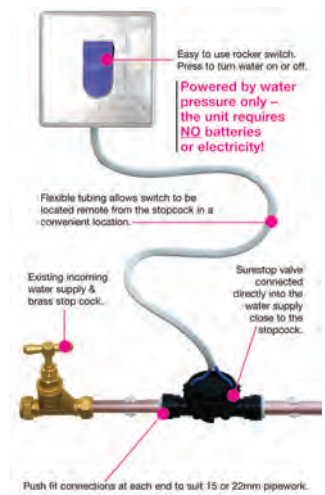


Surestop

Whether it's a leaking appliance, a burst pipe or internal plumbing leak, there are many situations where you may need to turn off your water supply. A Surestop water switch is a quick and easy way for you to control the water supply in your home at the switch of a button.

Product	Code Number
Surestop Remote 15mm	S9902224
Surestop In-line 15mm	S9902225
Surestop Remote 22mm	S9902226
Surestop In-line 22mm	S9902227

- Easy to install - typically less than an hour
- Powered by water pressure - the unit requires no batteries or electricity
- For use on normal water supplies with pressures between 0.5 bar to 10 bar
- Surestop can be fitted to tank fed systems
- Cold water supply max 30°C at 10 bar.
- Hot water supply max 80°C at 3 bar
- Push fit connections for easy fitting.
- Available in 15mm and 22mm sizes
- Approved by WRAS (No.0803069) for connection to potable water supplies



Shower Pumps

The shower pump will enhance any of our range of gravity feed showers. Designed to boost both hot and cold water supplies you can be confident of reliable water delivery at invigorating pressure.

- Ideally matched to multi-mode handshowers
- Twin impeller design boosts both hot and cold water supplies
- Integral flowswitches ease installation
- Anti-vibration kit, includes four flexible coupling and mounting pad
- Extensive three year guarantee



Product	Code Number
1.5 Bar Shower Pump	S2250013
2.0 Bar Shower Pump	S2250021



Product	Code Number
3.0 Bar Shower Pump	S2250027

Nova-Flo

Nova-Flo is a multi-award winning product which eradicates bath floods for good. This compact device can be fitted to 99% of baths and is quick and simple to install. With Nova-Flo fitted, when the water reaches the overflow, the water supply to the taps is shut off.

- Shuts off the taps - preventing floods at source
- No electricity or batteries – fit and forget
- No running costs
- Easy to fit – push fit plumbing connections compact size
- Simple - no buttons or switches to re-set
- Green – saves water, energy and repair bills



Product	Code Number
Nova-Flo	P6349110

See the N&C Nova-Flo installation video at www.ncphlexicare.com

Slotted Basin Waste - 32mm

For fitting to vitreous china washbasins of virtually any design. Supplied with plastic drain plug or chrome plated metal drain plug, chain and stay. Slotted design for basin with overflow.

Product	Colour	Code Number
Basin Waste Plastic Plug	Chrome	S2365001
Basin Waste Chrome Plug	Chrome	S2365003



Flush Grated Waste - 32mm

Best suited to washbasins used for hand rinsing. Non-slotted. Ideal for wash basins without overflow.

Product	Colour	Code Number
Flush Grated Waste	Chrome	S2366501



Clicker Slotted Basin Waste - 32mm

This simple push down clicker waste is simple to operate and perfect for those with limited muscular control or where plugs are continuously being lost. For basins with overflow.

Product	Colour	Code Number
Clicker Slotted Basin Waste	Chrome	S2172023



Clicker Unslotted Basin Waste - 32mm

This simple push down clicker waste is simple to operate and perfect for those with limited muscular control or where plugs are continuously being lost. Non slotted for wash basins without overflow.

Product	Colour	Code Number
Clicker Unslotted Basin Waste	Chrome	S2172024



Pressflo Basin Waste - 32mm

Water pressure in the basin keeps the plug closed. Simple finger pressure on either side of the plug allows water to flow past it and away, emptying the basin. Perfect for those with limited muscular control, or where plugs are continually being lost. For vitreous china washbasins only. The waste unit is slotted for overflow.

Product	Colour	Code Number
Pressflo Basin Waste	Chrome	P6848501



NoCalc Water Treatment

The ultimate water treatment system, NoCalc, which allows you to protect an entire house from the build up of limescale

Product	Code Number
NoCalc Water Treatment	S2199034

- Reduces energy bills
- Removes sand, dirt particles, and impurities (debris)
- Protects taps, valves and stopcocks
- Improves the quality of drinking water
- Protects against build up of limescale and corrosion



CalMag Magnetic Scale Inhibitor

Limescale prevention for boilers, cylinders, showers, washing machines, dishwashers and all other heating appliances. Fits 15mm pipework and is suitable for the entire house.

Product	Code Number
Scale Inhibitor	S2199047



Sink Waste - Combined Overflow 38mm

For fixing to kitchen sink tops of practically any design. Supplied with plastic drain plug.

Product	Colour	Code Number
Sink Waste	Chrome	S2361001



Bath Waste - Combined overflow with plug and chain 38mm

Will fit to virtually any design of bath tub, supplied with the choice of either a chrome or plastic drain plug, chrome overflow ring, chain and stay.

Product	Colour	Code Number
Bath Waste Chrome Plug	Chrome	S2360503
Bath Waste Plastic Plug	Chrome/Black	S2360504



Bath Pop-up waste Combined overflow 38mm

Will fit to virtually any design of bath tub, chrome operating wheel locates within the overflow hole, simple rotation will raise or lower the chrome plug.

Product	Colour	Code Number
Bath Pop-up Waste	Chrome	S2362001



Low Profile Waste Trap Pum System

A space saving waste trap that helps prevent bad odours. Perfect for bathroom furniture. The PUM membrane allows for a good water flow capacity.

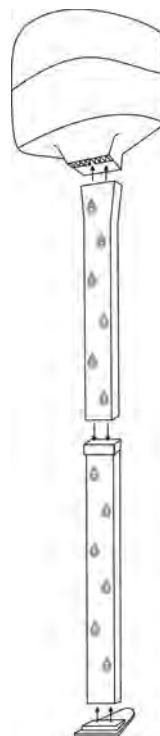
Product	Colour	Code Number
90° Waste Connector	White	S2159020
90° Waste Connector	Chrome	S2159021



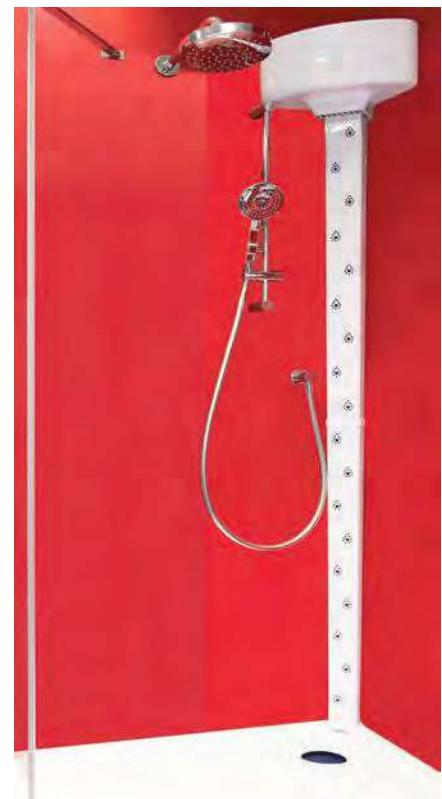
Air Body Dryer

AirBody Dryer is the ultimate all-over body dryer, using innovative technology to effortlessly dry you before you leave the shower. The perfect way to stay warm, avoid slips in the bathroom and get dry gently and fast, with minimal effort required. AirBody Dryer is the most hygienic way to dry, maintaining optimum temperature and ensuring efficiency.

- Air jets are positioned vertically at different heights to maximise thermal efficiency
- An average of 3 - 6 minutes drying time
- Can help skin complaints
- Easy to install



2010



Product	Colour	Code Number
Air Body Dryer	White	P6820401

Low Surface Temperature Radiators



K1 = Single Panel
K2 = Double Panel

Product	Code Number
Standard K1 500 x 560mm	S6301716
Standard K1 650 x 560mm	S6301717
Standard K1 650 x 760mm	S6301718
Standard K1 650 x 960mm	S6301719
Standard K1 650 x 1160mm	S6301720
Standard K1 650 x 1350mm	S6301721
Standard K2 500 x 560mm	S6301722
Standard K2 500 x 760mm	S6301723
Standard K2 500 x 1160mm	S6301724
Standard K2 650 x 560mm	S6301725
Standard K2 650 x 760mm	S6301726
Standard K2 650 x 960mm	S6301727

Stelrad's range of Low Surface Temperature radiators is the most comprehensive in the UK, with sizes and models to suit all applications. They all meet NHS Guidance for 'safe hot water and surface temperature' and are finished in antibacterial paint as standard making them the number one choice for safety critical environments.

The LST Standard leaves you free to specify your preferred controls and can be installed in domestic, commercial and public buildings' running heating systems with total public safety assured.

Every Stelrad LST radiator is supplied with an attractive, flat panel outer casing, which is totally reversible to allow piping flexibility. Simple and quick to install, the casing is held by security fittings with a unique seam fixing bracket system to prevent unauthorised access to the emitter accommodated inside – and for added protection, the smooth surface is coated in anti-bacterial paint.

The emitter itself provides high outputs through convection for outstanding heating performance. Strictly controlled independent laboratory testing ensures that each emitter is guaranteed to perform to a maximum working pressure of 116 psi (8 bar) and conform to BS EN 442, the European Standard for radiators.

The LST range offers all the specified components required in one robust package, and, as you would expect from Stelrad, every LST radiator is guaranteed to deliver outstanding performance and dependability.

Every radiator comes wrapped in robust, practical packaging that will keep the product pristine, right through to handover. Protective through storage and transit, the new packaging design also allows for installation prior to removal.

Product	Code Number
Standard K2 650 x 1160mm	S6301728
Standard K2 650 x 1360mm	S6301729
Standard K2 650 x 1560mm	S6301730
Standard K2 650 x 1760mm	S6301731
Standard K2 650 x 1960mm	S6301732
Standard K2 800 x 760mm	S6301733
Standard K2 800 x 960mm	S6301734
Standard K2 800 x 1160mm	S6301735
Standard K2 800 x 1360mm	S6301736
Standard K2 800 x 1560mm	S6301737
Standard K2 800 x 1760mm	S6301738
Standard K2 800 x 1960mm	S6301739

Low Energy Bulkhead Light

- Vandal resistant construction
- Polycarbonate diffuser and base
- Suitable for internal and external use
- 28watt switch start
- Rated IP65 drench resistant
- Complies with EN60598
- Size 296mm diameter



Product	Code Number
Low Energy Bulkhead Light	H0746525



Bathroom Ventilation

Bathroom ventilation helps to prevent build up of condensation which can lead to mould production, stale smells and poor air quality. N&C Phlexicare offer a variety of ventilation units for the effective extraction of water vapour. The extraction rate is the speed at which a fan can move air, the higher the rate of extraction the faster the room clears. Building Regulations stipulate that a bathroom extractor fan must extract at least 54m³/hr in a standard domestic bathroom.

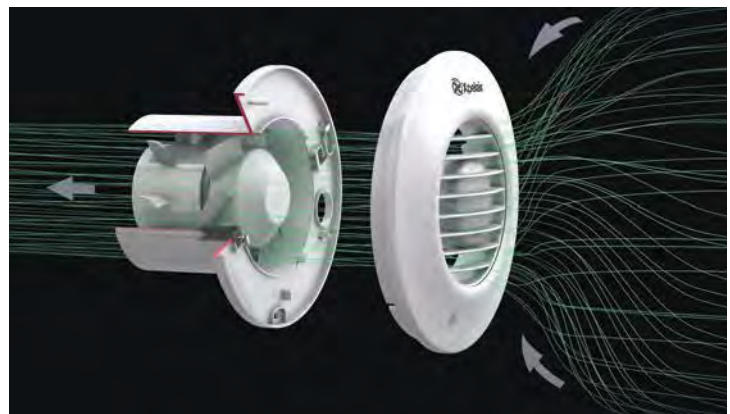


The rate of extraction you require depends on the size of the room and the amount of condensation produced. The bigger the room or if large amounts of condensation are produced, then the more the air will need to be replaced in the room, thus you need a higher rate of extraction.

There are different types of ventilation fans available. An inline fan is where the fan motor is remotely sited within the loft space and is connected to the fascia and external wall grill by the supplied flexible ducting.



A wall mounted fan is where the fascia has an integrated fan and the ducting passes through the wall to an external grill.



Turbo- Cyclone Inline Fans - Illuminated

- Bathroom/Ensuite/Cloakroom/Wet Room
- MR16 3Watt LED
- Size: Ø14.5 x D1.5cm



Product	Decibles	Colour	Code Number
Turbo	137m3/hr Decibels 37dB	White	H0746554
Turbo	137m3/hr Decibels 37dB	Chrome	H0746555
Cyclone	210m3/hr Decibels 32dB	White	H0746550
Cyclone	210m3/hr Decibels 32dB	Chrome	H0746551

Turbo- Cyclone Inline

For Large Bathrooms and Wet Rooms

- Bathroom/Ensuite/Cloakroom/Wet Room
- Size: Ø14.5 x D1.5cm



Product	Decibles	Colour	Code Number
Turbo	137m3/hr Decibels 37dB	White	H0746556
Turbo	137m3/hr Decibels 37dB	Chrome	H0746557
Cyclone	210m3/hr Decibels 32dB	White	H0746552
Cyclone	210m3/hr Decibels 32dB	Chrome	H0746553

Air-Star Illuminated Ceiling Fans

- Flush mounted with built-in low energy LED illumination
- Compatible with Ø10cm ducting
- IPX4 - Electrically safe for use in the bathroom
- MR16 2Watt LED Decibels 33dB
- Extraction Rate 89m³/hr



Product	Colour	Code Number
155x155x43mm	White	H0746570
155x155x43mm	Silver	H0746571

Breeze Wall Mounted Fan

- Slimline, low profile discreet fan
- Decibels 33dB
- Compatible with Ø10cm ducting
- Complete with timer
- Extraction Rate 88m³/hr



Product	Colour	Code Number
152x152x33mm	White	H0746558
152x152x33mm	Silver	H0746560
152x152x33mm	Chrome	H0746559

Breeze Wall Mounted Fan

- Slimline, low profile discreet fan
- Decibels 33dB
- Compatible with Ø10cm ducting
- Complete with timer and humidity sensor
- Extraction Rate 88m³/hr



Product	Colour	Code Number
152x152x33mm	White	H0746561
152x152x33mm	Silver	H0746563
152x152x33mm	Chrome	H0746562

Hush Wall Mounted Fan

- Ultra quiet, low profile plain fan
- Complete with timer
- Compatible with Ø10cm ducting
- Extraction Rate 97m³/hr
- Decibels 25dB



Product	Colour	Code Number
158x158x30mm	White	H0746564
158x158x30mm	Silver	H0746566
158x158x30mm	Chrome	H0746565

Hush Wall Mounted Fan

- Ultra quiet, low profile plain fan
- Complete with timer and humidity sensor
- Compatible with Ø10cm ducting
- Extraction Rate 97m³/hr
- Decibels 25dB



Product	Colour	Code Number
158x158x30mm	White	H0746567
158x158x30mm	Silver	H0746569
158x158x30mm	Chrome	H0746568

Accessory Kits

- 3m flexible ducting
- External grill & steel hose clamps
- Compatible with Ø10cm ducting



Product	Colour	Code Number
3m Ducting	White	H0746572
3m Ducting	Brown	H0746573

Extractor Vent

- Single speed 12V SELV axial unit
- Humidistat and remote SELV
- Automatic On/Off
- Adjustable from 50-90% RH
- Adjustable timer function (2-20mins)
- Air operated backdraught shutter
- 12V SELV transformer
- Integral pull cord and timer
- Humidistat and PIR options



Product	Code Number	Code Number
Extractor Vent	LV100PC	H0746524
Vent with humidity sensor	DX100HP	H0746528
Vent LV with humidity sensor	LV100HP	H0746529

Access Panel

- High impact polystyrene (Plastic)
- Removable panel



Size	Colour	Code Number
150x200mm	White	H0746526
300x300mm	White	H0746527
464x464mm	White	H0746530

Simply Silent Contour

Square 100mm

- Two speed 15l/s & 21l/s
- Controls humidity, odours and mould growth
- Power supply 230v
- Part F Compliant



Size	Operation	Colour	Code Number
180 x 180mm	-	White	H0746580
180 x 180mm	Timer	White	H0746582
180 x 180mm	Pull Cord	White	H0746584
180 x 180mm	Hum/Timer	White	H0746586

Simply Silent Contour

Round 100mm

- Two speed 15l/s & 21l/s
- Controls humidity, odours and mould growth
- Power supply 230v
- Part F Compliant



Size	Operation	Colour	Code Number
200mm	-	White	H0746581
200mm	Timer	White	H0746583
200mm	Pull Cord	White	H0746585
200mm	Hum/Timer	White	H0746587

Simply Silent Contour CV & LVCV

Square 100mm

- Two speed 15l/s & 21l/s
- Control humidity, odours and mould growth
- Adaptiflow senses changes in airflow, adapting the fan speed
- Part F Compliant



Size	Voltage	Colour	Code Number
180 x 180mm	230v	White	H0746588
180 x 180mm	24V	White	H0746590

Simply Silent Contour CV & LVCV

Round 100mm

- Two speed 15l/s & 21l/s
- Control humidity, odours and mould growth
- Adaptiflow senses changes in airflow, adapting the fan speed
- Part F Compliant



Size	Voltage	Colour	Code Number
200mm	230v	White	H0746589
200mm	24V	White	H0746591

Simply Silent easy-fit wall kit

The Simply Silent wall kit allows fuss-free fitting of the outer grille from the inside. Available in four different grille designs, the kit comes complete with wall tube.



Size	Colour	Code Number
180 x 180mm	White	H0746592
180 x 180mm	Brown	H0746594
200mm dia	White	H0746593
200mm dia	Brown	H0746595

Size	Colour	Code Number	
Replacement Baffles	180 x 180mm	Black	H0746596
Replacement Baffles	200mm	Black	H0746597
Adaptor Kit		Black	H0746598
Window Kit		Black	H0746599

Vent Axia VASF

Square 100mm

- Two speed 15 L/s - 21 L/s
- Controls humidity, odours and mould growth
- Power supply 240v
- Noise 14 dBA@ 3 Metres
- Part F Compliant



Size	Operation	Colour	Code Number
100mm	-	White	H0748020
100mm	Timer	White	H0748024

Vent Axia VA100

Square 100mm

- Single speed 107m3/hr
- Controls humidity, odours and mould growth
- Power supply 240v
- Noise 31 dBA@ 3 Metres
- Part F Compliant



Size	Operation	Colour	Code Number
100mm	Shutter/Timer	White	VA1005VXT12
100mm	Shutter/Hum	White	VA1005VXH12
Shutter Fan Kit		White	VA1005VX12

Vent Axia Lo-Carbon Revive 7

Square 193mm

- Single speed 60 L/s
- Controls humidity, odours and mould growth
- Noise 21 dBA@ 3 Metres
- Part F Compliant
- 193mm x 193mm



Boxed Assembly	Power	Colour	Code Number
Revive SELV 7	12V	White	H0748082
Revive 7	240V	White	H0748081

Vent Axia Lo-Carbon Revive 5

Square 193mm

- Single speed 60 L/s
- Controls humidity, odours and mould growth
- Noise 14 dBA@ 3 Metres
- Part F Compliant
- 193mm x 193mm



Boxed Assembly	Power	Colour	Code Number
Revive SELV 5	12V	White	H0748087
Revive 5	240V	White	H0748086

Vent Axia Lo-Carbon Centra HTP

Square 160mm

- Two speed 6L/s, 9L/s, 15L/s
- Controls humidity, odours and mould growth
- Noise 10.8dBA, 15.5dBA, 25.2dBA @ 3 Metres
- Part F Compliant
- 160mm x 160mm



Boxed Assembly	Power	Colour	Code Number
Centra SELV Fan Kit	12V	White	H0748077
Centra HTP Fan Kit	240V	White	H0748076

Quick Fit Shutter Kit

Square 100mm



Boxed Assembly	Colour	Code Number
Shutter Kit	White	H0748060
Shutter Kit	Brown	H0748061

Wall Fitting Kit

Square 100mm



Boxed Assembly	Colour	Code Number
Wall Fitting Kit	White	H0748064
Wall Fitting Kit	Brown	H0748065

Internal Fitting Kit

Round 100mm



Boxed Assembly	Colour	Code Number
Internal Fitting Kit	White	H0748068
Internal Fitting Kit	Brown	H0748069



Anti Ligature

Door, Window and Washroom Fittings

A range of door furniture, window fittings and washroom fittings designed for the less physically abled and the Mental Health Care Markets for use in applications where there is a risk of harm to themselves or others.



Our anti-ligature products are ideal for use in psychiatric wards, hospitals, mental institutions, care homes and prisons. With a large choice of anti-ligature products to choose from, ranging from door handles to pull handles, bathroom turns to hinges you are able to protect all ligature points which might put a person at risk.

We fully recognise that staff safety issues will vary widely between establishments. Our products are manufactured to be fit for purpose, robust and provide members of staff with all the necessary safety features required to address the challenges that can arise. Our products have been tested in accordance with DHF (Door and Hardware Federation) technical specifications for 'door mounted anti ligature devices for safety and security purposes' (TF001).



Anti Ligature Hinge

- Double ball bearing butt hinge
- Chamfered tips reduce ligature points
- Satin Stainless Steel

Product	Code Number
100X75mm	H0434201



Accessible Sashlock Case

- Mortice Sashlock Case • Euro Profile
- Radius forend • Reversible latchbolt
- Satin Stainless Steel

Case	Backset	Code Number
94mm	70mm	H0434203



Accessible Latch Case

- Mortice Latch Case
- Radius forend • Reversible latchbolt
- Satin Stainless Steel

Case	Backset	Code Number
94mm	70mm	H0434208



Accessible Deadlock

- Mortice Deadlock Case • Euro Profile
- Satin Stainless Steel

Case	Backset	Code Number
94mm	70mm	H0434211



Accessible Bathroom Case

- Radius forend • 8mm follower to turn
- Reversible latchbolt
- Satin Stainless Steel

Case	Backset	Code Number
94mm	70mm	H0434214



Accessible Nightlatch Case

- Emergency Night Latch Case
- Radius forend • 8mm follower to turn
- Reversible latchbolt • Satin Stainless Steel

Case	Backset	Code Number
94mm	70mm	H0434215



Clutch Knob

- clutch knob can be fitted to standard euro profile cylinders or to existing cylinders that are part of a master key system
- Converts cylinder to anti barricade
- Can also be fitted to bathroom turn c/w chamfered edge escutcheons
- Concealed fixings to client side of door
- Satin Stainless Steel

Product	Code Number
63 x 10mm	H0434218



Anti Ligature Lever Set

- 50mm round rose • The lever is set at 45°
- Concealed fixings • Chamfered edges
- When pressure is applied lever falls to 90° vertical angle causing the ligature to slip off
- Concealed fixings to client side of door
- Satin Stainless Steel

Product	Code Number
64 x 103mm	H0434221



Lever/Knob Set

- Knob is chamfered to allow maximum grip & ligature resistance
- When pressure is applied lever falls to 90° vertical angle causing the ligature to slip off
- Concealed fixings to client side of door
- Satin Stainless Steel

Product	Code Number
64 x 103mm	H0434224



Euro Profile Cylinder Escutcheon

- Chamfered edges
- Back to back fixings
- Satin Stainless Steel

Product	Code Number
63 x 10mm	H0434227



Clutched Bathroom Turn

- Carriage key release prevents barricading
- Chamfered edges
- Spare key available
- Concealed fixings to client side of door
- Satin Stainless Steel

Product	Code Number
63 x 10mm	H0434230



Flush Pull Handle

- Can be fitted vertically or horizontally
- Supplied with face fix tamper proof fittings
- Satin Stainless Steel

Product	Code Number
150 x 150mm	H0434236



Infill Pull Handle On Plate

- Infill prevents ligatures
- Face fix
- Large diameter pull handle provides grip
- Satin Stainless Steel

Product	Code Number
300 x 75mm	H0434239



Pad Pull Handle

- Angled top & bottom to deter the attachment of ligatures
- Bolt through fixed
- Satin Stainless Steel

Product	Code Number
300 x 65mm	H0434242



Norton Pull Handle

- Smooth lines discourage attachment of ligatures whilst having A "Non Institutional" appearance
- Satin Stainless Steel

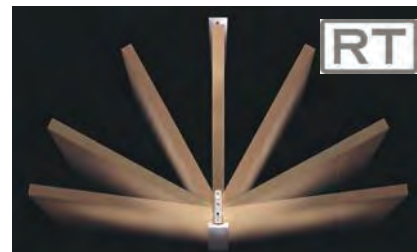
Product	Code Number
250 x 105mm	H0434245



Floor Door Stop

- Supplied with tamperproof screw
- Satin Stainless Steel

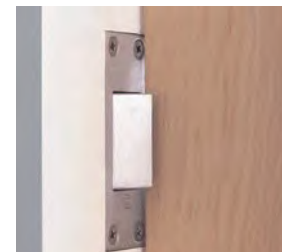
Product	Code Number
Satin Stainless Steel	H0434248



Double Action Pivot Set

- Top centre, bottom pivot, & bottom strap
- 80kg max door Weight

Product	Code Number
Satin Stainless Steel	H0434081



Emergency Release Door Stop

- For use with Double action door pivot set
- Door can be opened outward & inward

Product	Code Number
Satin Stainless Steel	H0434091



Double Action Door Pivot

- Top centre, bottom pivot & bottom strap
- 80kg max door weight
- Satin Stainless Steel

Product	Code Number
Satin Stainless Steel	H0434085



Release Door Stop

- For use with double action door pivot set
- Door can be opened outward & inward
- Satin Stainless Steel

Product	Code Number
Emergency Release	H0434095



Pivot Point Protector

- Protects double action doors from damage caused by them being forced
- Satin Stainless Steel

Door Thickness	Code Number
44mm	H0434251



Espagnolette Handle

- Handle is removable for staff use
- Ideal for top hung fanlights
- Satin Stainless Steel

Product	Code Number
Espagnolette Handle	H0434257



Window Fastener

- Prevent unauthorised opening
- Torx pin key release
- Aluminium

Product	Code Number
Cockspur Fastener	H0434260



Window Pull Handle

- Chamfered sides prevent ligature attachment
- Aluminium

Case	Code Number
150 x 34	H0434254



Coat Hook

- Hook is fixed in a ball joint held in place by a sprung ball bearing
- Supplied with tamperproof fixings
- Satin Stainless Steel

Product	Code Number
63mm	H0434263



Hinged Support Arm

- The arm can be safely locked down to discourage the attachment of ligatures

Size	Colour	Code Number
750mm	White	H0434266
750mm	Blue	H0434269



Vertical Grab Rail

- Infill prevents ligatures
- Face fix
- Large diameter pull handle provides grip

Case	Colour	Code Number
700x100mm	White	H0434272
700x100mm	Blue	H0434275



Horizontal Grab Rail

- Large diameter pull handle provides grip
- Infill prevents ligatures
- Face fix
- Infill plate is angled to facilitate drainage of shower water

Case	Colour	Code Number
700x100mm	White	H0434278
700x100mm	Blue	H0434281



Wardrobe Rail

- Designed to discourage the attachment of ligatures or standard coat hangers
- Soffit fixed

Case	Colour	Code Number
500mm	White	H0434284
1000mm	White	H0434287



Coat Hanger

- For use with anti ligature wardrobe rail
- Designed to fail if excessive weight is exerted & also to discourage the combining of a number of hangers to form a ligature point

Product	Code Number
White	H0434290



Kitchen

solutions

Healthcare Kitchens

Introduction	348 - 351
Kitchen Ranges	352 - 355
Cabinets	356 - 363
Height Adjustable Frames	364 - 365
Height Adjustable Tables	366
Height Adjustable Wall Units	367
Worktops	368
Sinks	368
Appliances	369



Kitchens

Accessible, multi-user Kitchens

N&C Phlexicare believe that every kitchen should be inclusive in design to suit all user needs and abilities, with an equal emphasis on function, style and affordability. Our experienced, expert team are fully equipped to carry out a comprehensive assessment and site survey to ensure the adapted kitchen is safe, functional and suited to all users within the household.



Features and Benefits:

- Multi-user kitchens are adapted to the everyday needs of all users
- Expert assessment and site survey
- 3D CAD drawings
- High quality, solid 18mm unit construction
- Easy reach units, basket and shelving
- Adjustable height worktops and units



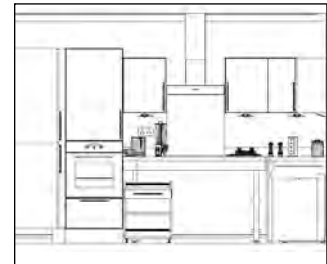
Adapted Kitchen

Many specifications require a kitchen to be adapted rather than replaced, possibly due to budgetary restraints or simply that there are only one or two items that need changing.

The simple replacement of the sink and/or hob with a manual or electric rise and fall worktop gives far more flexibility and access for users with physical impairments.

Fully Adapted Kitchen

Our Fully Adapted Kitchens are designed for disabled users that require a high degree of specialist features and individuality in style. We offer four different ranges with 5 door colours in each range and a huge choice of cabinets and accessories, sinks, taps, worktops, appliances, height adjustable worktops and wall units.



Service

The key to good service is communication. We believe this starts from that first call until the kitchen is in full operational use.

The process starts with a visit from one of our N&C Phlexicare technical sales executives who operate nationally, all are specially trained and able to offer advice and recommendations and involve different individuals required such as architects, contractors, occupational therapists and the end user.

Our representatives will answer any queries and carry out a thorough site survey.

Design

Once the survey has been completed, our design team at Head Office will generate a computer aided design (CAD) along with a detailed quotation. Any subsequent alterations or changes can then be made, and final plans and costs be completed.

Our Guarantee

We believe our products and services to be the very best on the market, offering customers more choice, specification and value than any other manufacturer or supplier in the U.K.





Lowered oven with side hung door



Corner carousel



Bespoke shelves



Dishwasher drawer



Pull down basket



Fully rigid kitchen cabinets



Pull out larder



Pull out recycle bin



Electric diagonal wall frame

Shallow bowl sink & Lever taps



Corner mondo trays



Height adjustable, rise and fall frame manual or electric



Front control hobs gas or electric



Hartland & Hartland Plus

Our range of Hartland and Hartland Plus kitchen units have been manufactured to offer users a durable, strong and rigid 18mm solid carcass construction. Users can select from 7 inspirational door finishes, consisting of flat smooth or textured finishes. Soft close doors are available as an optional extra.

Finishes can be combined for a look personal to the user. Opt for the classic finish of Matt Ivory on its own or combine with Champagne, Driftwood or Ferrara Oak to achieve a unique, individual style.

Hartland Plus is available in 6 popular colour co-ordinated carcass options.

Hartland comes with a strong rigid white carcass only.





Matt Ivory contemporary, fresh, neutral



Ferrara Oak classic, light, fresh



Beech warm, classic, autumn



Champagne modern, neutral, light



Birch contemporary, soft, neutral



Walnut warm, indulgent, versatile



Some kitchen images through out this brochure do not contain adaptation cabinets or accessories, but show colour and styles available.



Arundel & Arundel Plus

Arundel and Arundel Plus is our premium collection of attractive, high quality kitchens that offer users a choice of on trend finishes. Opt for the heavily sought after high gloss option, for easy wipe down surfaces and attractive modern aesthetic, or from our range of traditional style, shaker doors (Scope Ivory and Milbourne Oak). Soft close doors are available as an optional extra.

Our Arundel and Arundel Plus kitchen units have been manufactured to offer users a durable, strong and rigid 18mm solid carcass construction.

The Arundel Plus range is available with 6 strong colour co-ordinated carcass options.

The Arundel range comes with a rigid white carcass only.





Porter Gloss Alabaster gloss, vintage, elegant



Porter Gloss Beige traditional, stone, gloss



Porter Gloss White contemporary, fresh, clean



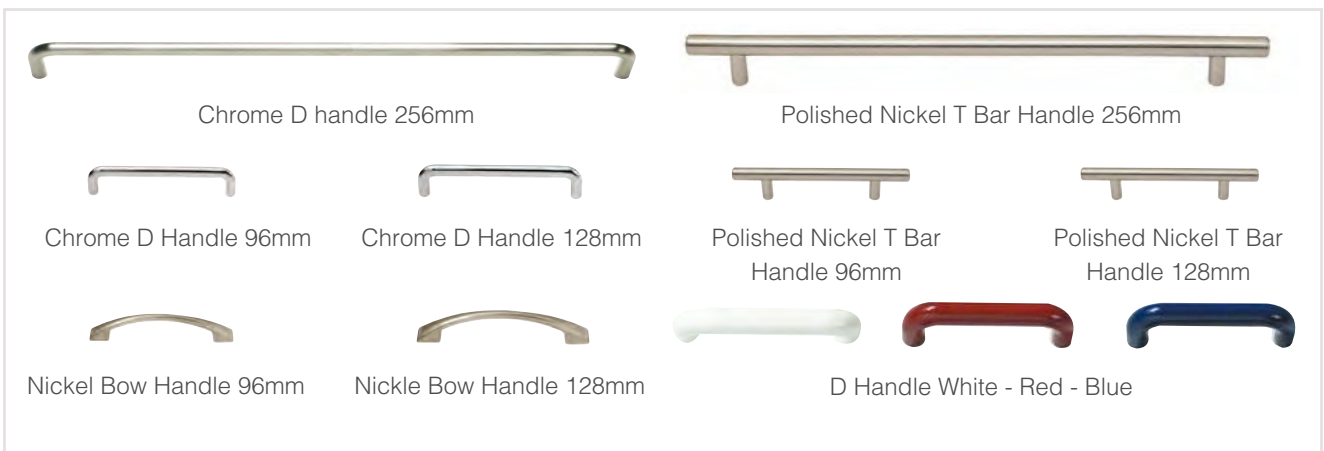
Milbourne Stone classic, vintage, timeless



Milbourne Sage traditional, fresh, elegant



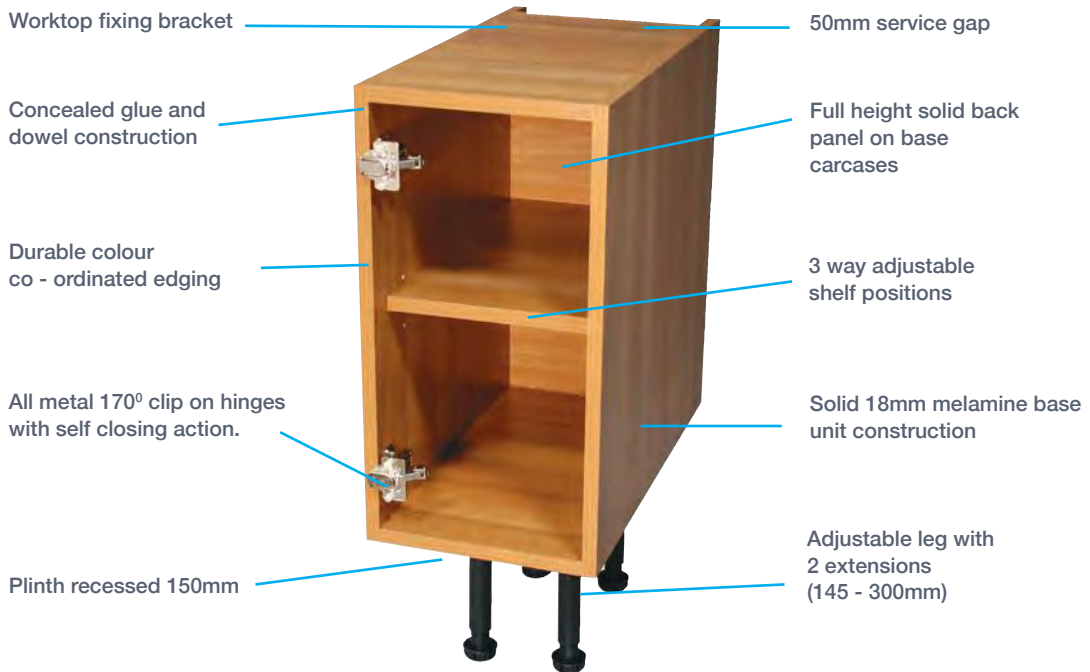
Milbourne Oak timeless, classic, elegant



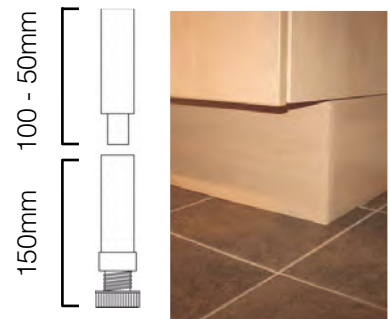
Some kitchen images through out this brochure do not contain adaptation cabinets or accessories, but show colour and styles available.

Fully rigid colour co-ordinated cabinets

Our N&C Phlexicare cabinet carcasses constructed from a high quality, 18mm thick melamine board, available in a range of colour co-ordinated finishes. Only the best workmanship is deemed acceptable with our kitchens and that's why we don't compromise on quality. The units are glued and dowelled to give a solid pre-assembled construction. Our cabinets for both Hartland and Arundel come in a standard white finish. However, if you want that totally co-ordinated look, opt for our Hartland Plus or Arundel Plus ranges.



Recessed Plinth.



- All doors have 170 degree clip on hinges as standard
- Soft close on doors and drawers is available
- Plinths are 300mm high x 2400 mm long,
- Plinths include clear sealing strip to the floor joint.
- Wall hanging brackets made from robust rolled steel (max load 130kg per pair)
- Base and wall unit shelving have 3 height adjustment
- Drawer pack units have solid Blum Metabox drawer boxes with the bottom and back panels co-ordinated to the carcass finish

1 Hartland Range

Comes with a strong rigid white carcass only.

2 Hartland Plus Range

Available with 6 strong, rigid, colour co-ordinated carcass options.

3 Arundel Range

Comes with a strong rigid white carcass only.

4 Arundel Plus Range

Available with 6 strong, rigid, colour co-ordinated carcass options.

Coding System

When ordering your kitchen units, we have adopted a coding to allow easy specification of each range.

For example to denote Hartland Range simply enter number 1 at the end of the code, ie:



For Hartland Plus enter 2

Please Note:-

All base and tall unit height dimensions exclude legs and plinth

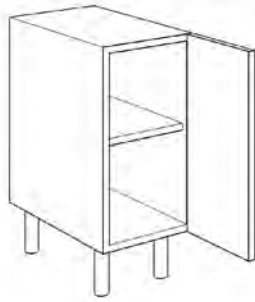


Base Unit Single Door

300 width x 565 depth x 575 high
 400 width x 565 depth x 575 high
 500 width x 565 depth x 575 high
 600 width x 565 depth x 575 high

Also available 475mm deep

Width	Left Hand	Right Hand
300	P190367_	P190369_
400	P190467_	P190469_
500	P190567_	P190569_
600	P190667_	P190669_



Right hand illustrated

Base Unit Double Door

800 width x 565 depth x 575 high
 1000 width x 565 depth x 575 high

Also available 475mm deep

Width	
800	P190860_
1000	P190060_



Corner Base Unit - with shelf

800 width x 565 depth x 575 high
 400 Door fascia
 1000 width x 565 depth x 575 high
 500 door fascia

Also available 475mm deep

Width	Left Hand	Right Hand
800	P191867_	P191869_
1000	P191167_	P191169_



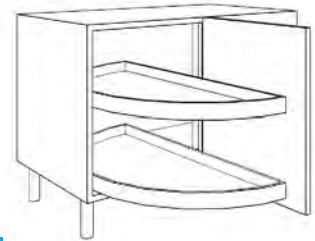
Right hand illustrated

Corner Base Unit - with carousel trays

Includes 2 x carousel trays

1000 width x 565 depth x 575 high
 500 door fascia

Width	Left Hand	Right Hand
1000	P191067_	P191069_



Right hand illustrated

Corner Base Unit - with mondo trays

Includes 2 x Mondo trays

1000 width x 565 depth x 575 high
 500 door fascia

Width	Left Hand	Right Hand
1000	P170000_	P170001_

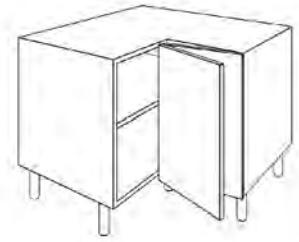


Right hand illustrated

L Shaped Corner Base - with shelf

900 x 900 width x 565 depth x 575 high
 300 door fascia

Width	Left Hand	Right Hand
900	P190967_	P190969_



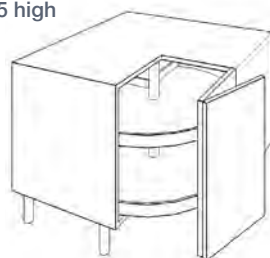
Right hand illustrated

L Shaped Corner Base - with carousel

Includes 2 x carousel trays

900 x 900 width x 565 depth x 575 high
 300 door fascia

Width	Left Hand	Right Hand
900	P191967_	P191969_



Right hand illustrated

Compensating Base Unit - with shelves

Removable side panels and shelves
 to adjust width of unit

300 width x 565 depth x 575 high

Also available 475mm deep

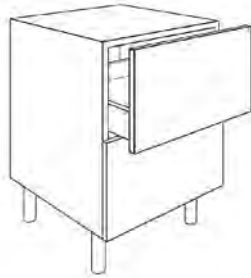
Width	
300	P192760_



2 Drawer Unit

Meta drawer box & runners
Drawer fascias 283mm high

400 width x 565 depth x 575 high
500 width x 565 depth x 575 high
600 width x 565 depth x 575 high
Also available 475mm deep



400mm unit not available in
Arundel or Arundel Plus

Width	
400	P192460_
500	P192560_
600	P192660_

3 Drawer Unit

Meta drawer box & runners
2 x 140mm / 1 x 283mm fascias

400 width x 565 depth x 575 high
500 width x 565 depth x 575 high
600 width x 565 depth x 575 high



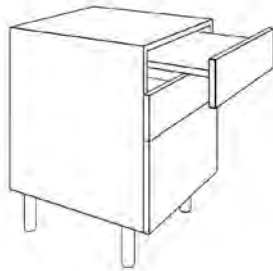
400mm unit not available in
Arundel or Arundel Plus

Width	
400	P191460_
500	P191560_
600	P191660_

3 Drawer Unit - with pull out table

Meta drawer box & runners
2 x 140mm / 1 x 283mm fascias

500 width x 565 depth x 575 high

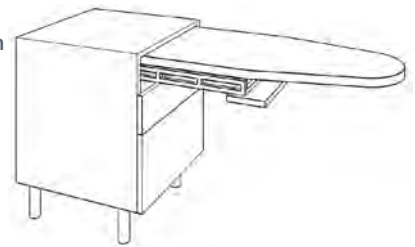


Width	
500	P193560_

3 Drawer Unit - with ironing Board

Meta drawer box & runners
2 x 140mm / 1 x 283mm fascias

500 width x 565 depth x 575 high

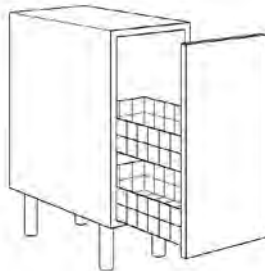


Width	
500	P195560_

Pull Out Base Unit - with wire basket

Includes 2 x pull out wire baskets

300 width x 565 depth x 575 high

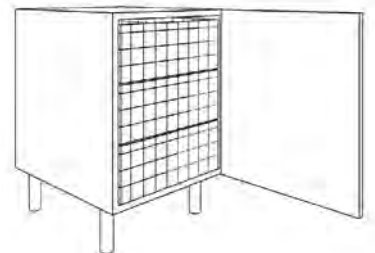


Width	
300	P191360_

Pull Out Base Unit - with wire baskets

Includes 3 x pull out wire baskets

500 width x 565 depth x 575 high



Width	Left Hand	Right Hand
500	P191567_	P191569_

Right hand illustrated

Appliance Mount Base Unit - with drawer

To support free standing appliance
Meta drawer box & runners
283mm high drawer fascia

600 width x 565 depth x 290 high
Overall height 440mm

Please Note:-
This unit does not have adjustable
legs. Solid support to floor.



Width	
600	P185000_

Angled Base End Shelf

300 width x 565 depth x 575 high

Also available 475mm deep



Width	Left Hand	Right Hand
300	P191367_	P191369_

Left hand illustrated

Single Door Wall Unit

300 width x 300 depth x 575 high
 400 width x 300 depth x 575 high
 500 width x 300 depth x 575 high
 600 width x 300 depth x 575 high

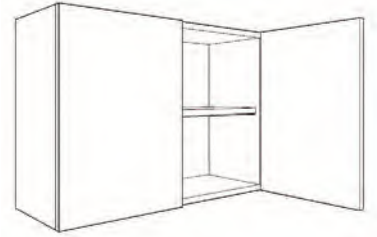


Width	Left Hand	Right Hand
300	P160337_	P160339_
400	P160437_	P160439_
500	P160537_	P160539_
600	P160637_	P160639_

Right hand illustrated

2 Door Wall Unit

800 width x 300 depth x 575 high
 1000 width x 300 depth x 575 high

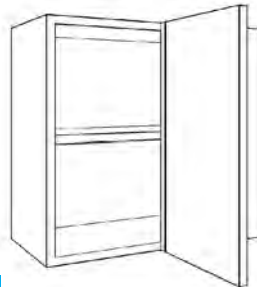


Width	
800	P160830_
1000	P160030_

Standard Corner Wall Unit

Single shelf

600 width x 300 depth x 575 high



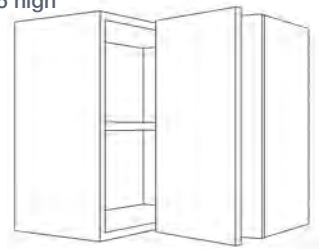
Width	Left Hand	Right Hand
600	P170002_	P170003_

Right hand illustrated

L Shaped Corner Wall Unit

Single shelf

600 x 600 width x 300 depth x 575 high



Width	Left Hand	Right Hand
600	P162667_	P162669_

Right hand illustrated

Angled Corner Wall Unit

Single shelf

600 x 600 width x 300 depth x 575 high



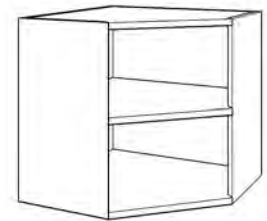
Width	Left Hand	Right Hand
600	P161667_	P161669_

Right hand illustrated

Angled Corner Shelf Unit

Single shelf

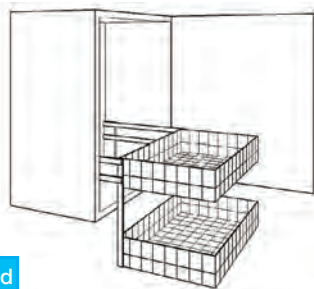
600 x 600 width x 300 depth x 575 high



Width	
600	P160660_

Wall Unit - with pull down basket

500 width x 300 depth x 575 high



Width	Left Hand	Right Hand
500	P162537_	P162539_
600	P162536_	P162535_

Right hand illustrated

Open Wall Unit - with pull down basket

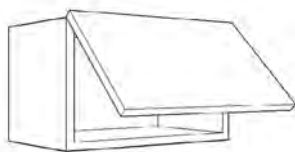
500 width x 300 depth x 575 high



Width	
500	P164530_

Bridging / Top Box Wall Unit

500 width x 300 depth x 290 high
 600 width x 300 depth x 290 high
 1000 width x 300 depth x 290 high



Width	
500	P160259_
600	P161259_
1000	P162250_

Open Wall Unit

Single shelf

300 width x 300 depth x 575 high
 400 width x 300 depth x 575 high
 500 width x 300 depth x 575 high
 600 width x 300 depth x 575 high



Width	
300	P161330_
400	P161430_
500	P161530_
600	P161630_

Compensating Wall Unit - with Shelf

Removable side panels and shelf to adjust width of unit

300 width x 300 depth x 575 high



Width	
300	P162330_

Angled Wall End Shelf

Single shelf

300 width x 300 depth x 575 high



Width	Left Hand	Right Hand
300	P163337_	P163339_

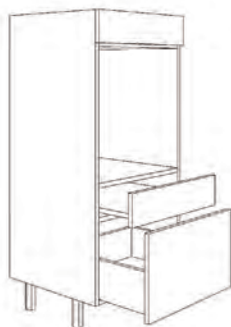
Left hand illustrated

Studio Single Oven Housing TYPE S

Top filler 140mm
 Pull out shelf fascia 140mm
 Drawer 355mm

600 width x 565 deep x 1250 high

Recommend worktop fitted above



Plinth height must not exceed 150mm.

Width	Left Hand
600	P194820_

Studio Housing - Single Oven TYPE A

Top fascia 283mm + filler
 Pull out shelf fascia 140mm
 Drawer 175mm

600 width x 565 deep x 1250 high

Recommend worktop fitted above



Plinth height must not exceed 150mm

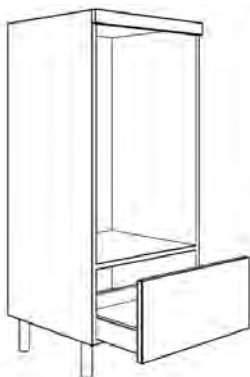
Width
600

Studio Housing - Double Oven TYPE C

Top filler/Bottom 283mm drawer fascia

600 width x 565 deep x 1250 high

Recommend worktop fitted above



Plinth height must not exceed 150mm

Width
600

Studio Housing - Micro/Single Oven TYPE B

Top filler/Bottom 140mm drawer fascia

600 width x 565 deep x 1250 high

Recommend worktop fitted above



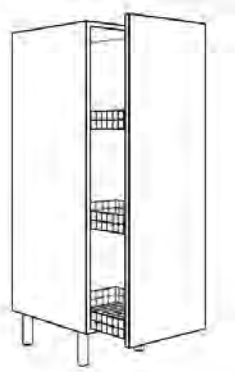
Plinth height must not exceed 150mm

Width
600

Studio Pull Out Larder Unit

Fascia 1245mm high

300 width x 565 deep x 1250 high
 400 width x 565 deep x 1250 high
 500 width x 565 deep x 1250 high
 600 width x 565 deep x 1250 high



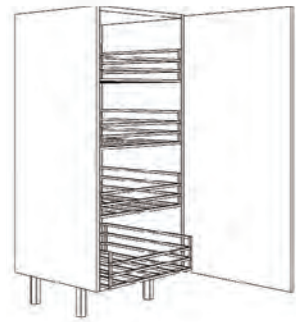
Width	
300	P170005_
400	P170006_
500	P170007_

Plinth height must not exceed 150mm

Studio Larder Unit Pull out Baskets

Fascia 1245mm high

500 width x 565 deep x 1250 high
 600 width x 565 deep x 1250 high



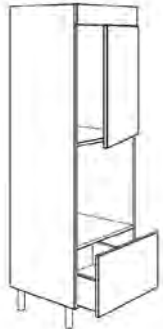
Width	Left Hand	Right Hand
500	P194857_	P194859_
600	P194867_	P194869_

Plinth height must not exceed 150mm.
 Right hand illustrated

Tall Housing for Single Oven - TYPE J

Top filler 140mm
 Top door 715mm high
 Pan drawer 355mm high

600 width x 565 deep x 1825 high



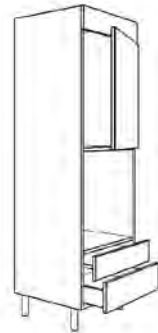
Width	Left Hand	Right Hand
600	P185047_	P185049_

Plinth height must not exceed 150mm. Right hand illustrated

Tall Housing for Single Oven - TYPE E

Top filler 140mm
 Top door 715mm high
 Bottom pull out shelf fascia 140mm
 Drawer 175mm

600 width x 565 deep x 1825 high



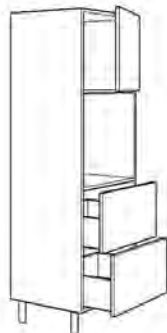
Width	Left Hand	Right Hand
600	P185067_	P185069_

Plinth height must not exceed 150mm. Right hand illustrated

Tall Housing for Single Oven TYPE G

2 x Deep Pan Drawers
 Top fascia 495
 Bottom 2 x 355mm drawer fascias

600 width x 565 deep x 1825 high



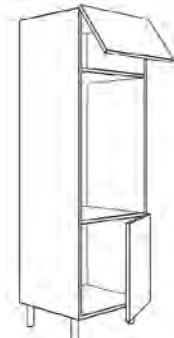
Width	Left Hand	Right Hand
600	P185087_	P185089_

Plinth height must not exceed 150mm. Right hand illustrated

Tall Housing for Double Oven TYPE L

Top door fascia 355mm high
 Bottom fascia 570mm high

600 width x 565 deep x 1825 high



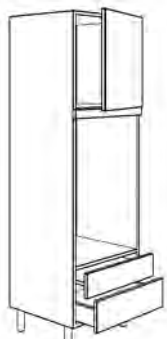
Width	Left Hand	Right Hand
600	P170009_	P170010_

Plinth height must not exceed 150mm. Right hand illustrated

Tall Housing for Double Oven - TYPE K

Pull Out Shelf
 Top door fascia 570mm high
 Pull out shelf fascia 140mm
 Drawer 175mm

600 width x 565 deep x 1825 high



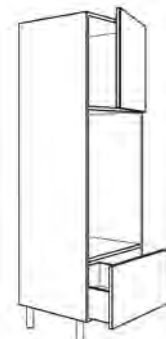
Width	Left Hand	Right Hand
600	P170011_	P170012_

Plinth height must not exceed 150mm. Right hand illustrated

Tall Housing for Double Oven - TYPE M

Top door fascia 570mm high
 Pan drawer 355mm high

600 width x 565 deep x 1825 high



Width	Left Hand	Right Hand
600	P170013_	P170014_

Plinth height must not exceed 150mm. Right hand illustrated

Tall Housing Single Oven/Micro TYPE H

Door and flap
Top fascia 283mm
Bottom door fascia 450mm high

600 width x 565 deep x 1825 high



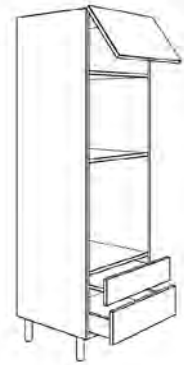
Plinth height must not exceed 150mm. Right hand illustrated

Width	Left Hand	Right Hand
600	P185097_	P185099_

Tall Housing Single Oven/Micro TYPE F

Pull out shelf & drawer
Top fascia 355mm
Pull out shelf fascia 140mm
Drawer 175mm

600 width x 565 deep x 1825 high



Plinth height must not exceed 150mm

Width	Code Number
600	P185079_

Midway Shelf

Single shelf

500 width x 125 deep x 200 high
1000 width x 125 deep x 200 high

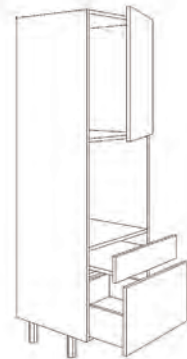


Width	Code Number
500	P163250_
1000	P163200_

Tall Housing Single Oven TYPE R

Pull out shelf and drawer
Top door 715mm
Pull out shelf fascia 140mm
Drawer 355mm

600 width x 565 deep x 1825 high



Plinth height must not exceed 150mm. Right hand illustrated

Width	Left Hand	Right Hand
600	P194817_	P194819_

Tall Larder with Drawers & Baskets

2 x Pan drawers
Top fascia 1245mm
Bottom 283mm drawer fascias

500 width x 565 deep x 1825 high
600 width x 565 deep x 1825 high



Plinth height must not exceed 150mm. Right hand illustrated

Width	Left Hand	Right Hand
500	P194837_	P194839_
600	P194847_	P194849_

Tall Larder Unit

Top Fascia 1245mm
Bottom 570mm high

500 width x 565 deep x 1825 high



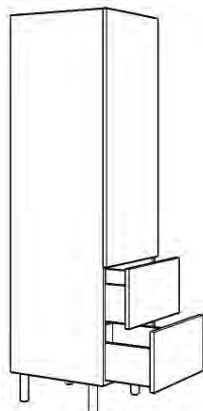
Plinth height must not exceed 150mm. Right hand illustrated

Width	Left Hand	Right Hand
500	P185107_	P185109_

Tall Larder Unit

2 x Pan drawers
Top Fascia 1245mm
Bottom Pan drawers 283mm

500 width x 565 deep x 1825 high



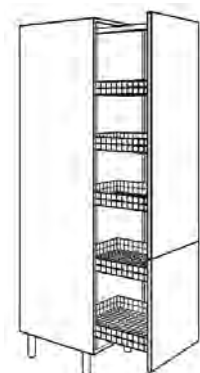
Plinth height must not exceed 150mm. Right hand illustrated

Width	Left Hand	Right Hand
500	P185117_	P185119_

Tall Pull Out Larder Unit

Top Fascia 1245mm
Bottom 570mm high

300 width x 565 deep x 1825 high
400 width x 565 deep x 1825 high
500 width x 565 deep x 1825 high
600 width x 565 deep x 1825 high



Plinth height must not exceed 150mm

Width	Code Number
300	P185140_
400	P170017_
500	P185150_

Mobile Trolley Unit

500 width x 500 deep x 650 high



Width	Code Number
500	P190750_

Mobile Trolley Unit - with cutlery tray

500 width x 500 deep x 650 high



Width	Code Number
500	P191750_

Worktop fascia and support plinth

Order in 100mm Increments
Per 100mm width
600 deep x 100 high



Requires worktop support brackets P6910030

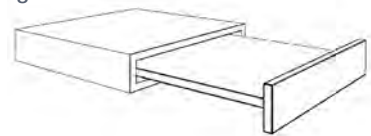
Width	Code Number
Per 100mm	P193760_

Also available 500mm deep

Worktop Plinth - with pull out shelf

500 width x 600 deep x 100 high

Requires worktop support brackets P6910030



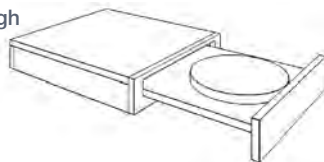
Width	Code Number
500	P196760_

Also available 500mm deep

Worktop Plinth - with chopping board

500 width x 600 deep x 100 high

May require worktop support brackets P6910030



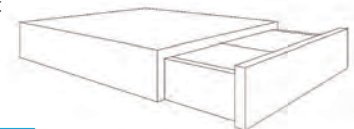
Width	Code Number
500	P195760_

Also available 500mm deep

Worktop Plinth - with pull out drawer

500 width x 600 deep x 100 high

May require worktop support bracket P6910030



Width	Code Number
500	P194880_

Worktop Support Panel

Support where it fly's over a space or appliance and as a plant on décor panel 18mm thick x 600 deep x 900 high



Depth	Code Number
600	P185160_

End Panels

Wall - 300 deep x 575 high

As additional support to flyover panels and as a plant on decor panel

Tall - 600 deep x 1975 high

As a plant on decor panel



Product	Code Number
300 Wall	P185170_
600 Tall	P185180_

Fillers

Wall/Base - 100 wide x 575 high
Tall - 100 wide x 1975 high

Width	Code Number
Wall/Base	P160000_
Tall	P181540_

Modern Cornice & Pelmet

Length to be cut on site to suit
28mm thick x 3050 long x 50 deep - Profile may vary

Product	Code Number
Cornice	P183200_
Pelmet	P183300_



Continuous Plinth

Height can be cut on site to suit
2400 long x 300 high

Product	Code Number
Plinth	P160010_
Edging Strip	P160020_



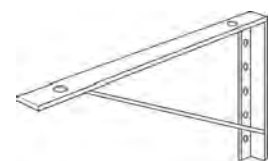
Flyover Shelf

Order in 100mm increments
Per 100mm width
18mm thick x 300 deep -
maximum length 2400



Width	Code Number
Per 100mm	P160040_

Worktop Support Brackets



Product	Code Number
Worktop Support Brackets x 2	P6910030

Height Adjustable Worktop Frames

N&C Phlexicare kitchens have been developed with a focus on the needs of the user, helpers and family members. This ensures that everyone can participate in daily activities on an equal basis and feel secure.

Being able to adjust the height of worktops and wall cupboards is a great help for most people. The design of height adjustable worktops for a variety of uses is particularly useful for the following:

1/ An individual's home where self reliant users have to be able to work with or without helpers.

2/ Communal and training kitchens in which several people with different capabilities have to work together comfortably at the same time.

3/ Kitchens in child care institutions where both children and adults need to manage together.



Our Indivo manual wall mounted frames are available in any length up to 3000mm. It is advised, but not essential, that a 100mm high worktop plinth be fitted beneath the worktops front and return edges to accommodate a manual crank. If a worktop plinth is not required, a collapsible crank handle must be ordered. Total loading capacity including worktop is 100kg. Height adjustment ranges from 630mm to 930mm.

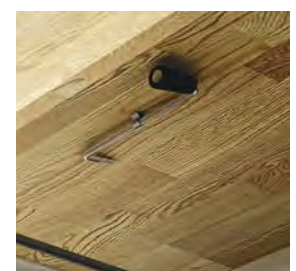
A flexible plumbing kit should always be fitted to sinks installed within this worktop and frame.



For worktops with a front plinth a cover plate covers the crank handle socket.



A discrete cable tray is available to cover the longitudinal shafts at the back of the frame.



The crank handle supplied with your frame can be neatly stored on a clip beneath the worktop.



Electrical Lifts

The Indivo electric wall mounted frames are available in any length up to 3000mm. It is advisable, but not essential, that a 100mm high worktop plinth is fitted beneath to accommodate the electric switch and safety stop. Total loading capacity including worktop is 100kg. Height adjustment ranges from 620mm to 900mm. All electric models come with safety stop as standard. Electric 'L' shaped frames are also available.



The switch controlling your frame can easily be fitted anywhere along the plinth positioned beneath the worktop.

An optional hand held control may be purchased as a supplement to the plinth switch.

Electric height adjustable kitchen worktops are all fitted with a safety bar as standard to prevent any injuries due to crushing.

Lift for worktop	Manual	Electric	Fascia
600mm wide	P1840000	P1840050	P194900_
700mm wide	P1840002	P1840051	P194901_
800mm wide	P1840004	P1840052	P194902_
900mm wide	P1840006	P1840053	P194903_
1000mm wide	P1840008	P1840054	P194904_
1100mm wide	P1840010	P1840055	P194905_
1200mm wide	P1840012	P1840056	P194906_
1300mm wide	P1840014	P1840057	P194907_
1400mm wide	P1840016	P1840058	P194908_
1500mm wide	P1840018	P1840059	P194909_
1600mm wide	P1840020	P1840060	P194910_
1700mm wide	P1840022	P1840061	P194911_
1800mm wide	P1840024	P1840062	P194912_
1900mm wide	P1840026	P1840063	P194913_
2000mm wide	P1840028	P1840064	P194914_
2100mm wide	P1840030	P1840065	P194915_
2200mm wide	P1840032	P1840066	P194916_
2300mm wide	P1840034	P1840067	P194917_
2400mm wide	P1840036	P1840068	P194918_
2500mm wide	P1840038	P1840069	P194919_
2600mm wide	P1840040	P1840070	P194920_
2700mm wide	P1840042	P1840071	P194921_
2800mm wide	P1840044	P1840072	P194922_
2900mm wide	P1840046	P1840073	P194923_
3000mm wide	P1840048	P1840074	P194924_



Installation Cover



Flexible Feed & Waste



Collapsible Crank Handle



Cable Tray



Optional Support Foot



Slimline Support Bracket

Accessories	Code Number
Installation cover	P1840076
Flexible feed/waste system (for the UK)	P1840077
Collapsible Crank handle on manual lift.	P1840078
Cable tray for wall mounted worktop lift, 2000mm	P1840079
Foot for Indivo Wall mounted frames	P1840080
Slimline Support Bracket	P1840081
Optional Hand Control - Cable length 1600 mm	P1840082



Worktop Support Brackets

Our Indivo brackets are ideal where a fixed height worktop is required. They are simple to adjust and have a height range of 250mm.

The distance between two brackets must not exceed 800 mm. The maximum 'evenly distributed' load for a pair of brackets is 75 kg and a flexible plumbing kit should always be fitted to sinks installed within worktops fitted to these brackets.



The height is adjusted by loosening a bolt on each bracket.

The vertical section of the bracket is calibrated to ease adjustment.



Accessories	Code Number
Manual Wall Bracket - Single	P1840083
Manual Wall Bracket - Pair	P1840084

Manual/Electric Tables

The Indivo manual & electric frames for freestanding worktops and tables can be used in areas where the wall structure is not strong enough to support our wall mounted models. It is advisable, but not essential, that a 100mm high worktop plinth is fitted to accommodate either the manual crank or electric switch or safety stop. Total loading capacity including worktop is 100kg. Height adjustment ranges from 680mm to 980mm.



Manual Indivo Tables	Code Number
1500 x 800mm wide	P1840086
2000 x 800mm wide	P1840087
2500 x 800mm wide	P1840088
3000 x 800mm wide	P1840089

Electric Indivo Tables	Code Number
1500 x 800mm wide	P1840091
2000 x 800mm wide	P1840092
2500 x 800mm wide	P1840093
3000 x 800mm wide	P1840094





Electric Lifts for Wall Cupboards

The Indivo electric wall cabinet lift can be used with cupboards of 500 - 704mm in height and up to 2400 mm in length.

An extension plate can be installed increasing the overall height to 900 mm. A one lift motor is used for cabinet widths of 400mm - 1200mm and has a load capacity of 110kg. Using a two lift motor for cabinets 1201mm -2400mm the capacity doubles to 220kg.

The frame will adjust down from its optimum height by 430mm and extend toward the user by 180mm.



Electric lift for wall cupboards 400 to 1200mm wide. The diagonal adjustment has a single motor with two cross braces allowing a cabinet to move down by 430mm and forward by 180mm.

Electric lift for wall cupboards 1201 to 2400mm wide. The diagonal adjustment has twin motors with two cross braces allowing cabinets to move down by 430mm and forward by 180mm.

A pressure sensitive safety plate installed beneath the wall cabinets will suspend downward movement if resistance is encountered. The unit will then automatically rise by 10 to 30mm releasing tension between the safety stop and obstruction.

Electric Lift for Wall Cupboards Incl. Safety stop	Code Number
Wall Lift 500 mm wide up to 704 mm high	P1840096
Wall Lift 600 mm wide up to 704 mm high	P1840097
Wall Lift 1000 mm wide up to 704 mm high	P1840098
Wall Lift 1200 mm wide up to 704 mm high	P1840099
Wall Lift 1500 mm wide up to 704 mm high	P1840100
Wall Lift 1800 mm wide up to 704 mm high	P1840101
Wall Lift 2000 mm wide up to 704 mm high	P1840102
Wall Lift 2400 mm wide up to 704 mm high	P1840103

Electric Lift for Wall Cupboards Incl. Safety stop	Code Number
Wall Lift 500 mm wide up to 900 mm high	P1840104
Wall Lift 600 mm wide up to 900 mm high	P1840105
Wall Lift 1000 mm wide up to 900 mm high	P1840106
Wall Lift 1200 mm wide up to 900 mm high	P1840107
Wall Lift 1500 mm wide up to 900 mm high	P1840108
Wall Lift 1800 mm wide up to 900 mm high	P1840109
Wall Lift 2000 mm wide up to 900 mm high	P1840110
Wall Lift 2400 mm wide up to 900 mm high	P1840111



When installing a diagonal frame above an electric worktop frame, both respective safety stops can be linked ensuring complete safety for the user.

Accessories	Code Number
Single Extension Fitting Plate for Cabinets higher than 704 mm.	P1840112
Twin Extension Fitting Plates for cabinets higher than 704 mm.	P1840113
Cover Plate for cabinets less than 700mm high. Carcase colour per 100 mm.	P1840114
Mounting kit for cover plate where cabinets are less than 700 mm high	P1840115
Cable tray for wall cupboards	P1840118
Optional Hand Control - Cable length 1600 mm	P1840082

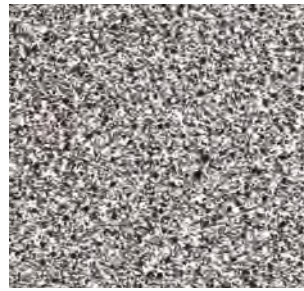
40mm Laminate Worktops



Product	
Everest	S3271804



Product	
Paloma Cream	S3271811



Product	
Charcoal Splatter	S3271801



Product	
Cotswold Beech	S3271812



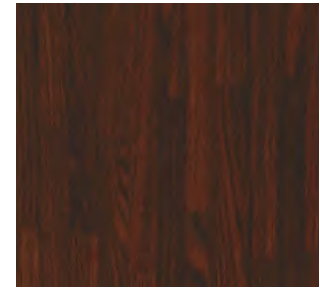
Product	
Brushed Concrete	S3270810



Product	
Walnut Butcher Block	S3270807



Product	
White	S3270809



Product	
Wenge Butcher Block	S3270808

Worktop Jointing Strips 40mm (Satin Finish)

Product	
Corner	S2371902

Product	
In Line Strip	S3272026

Product	
End Cap	S2271901

Product	
Jointing Bolt x2	S3272021

Shallow Bowl Sinks

950 x 508 x 120mm



Product	Code Number
1 Tap Hole REV	P1800531
Waste Kit	P1800542

Standard Bowl Sinks

950 x 508 x 160mm



Product	Code Number
2 Tap Holes RHD	P1822521
Waste Kit	P1800542

950 x 508 x 160mm



Product	Code Number
Rev. Tap Hole	P1800523
Waste Kit	P1800542



Product	Code Number
2 Tap Holes LHD	P1800532
2 Tap Holes RHD	P1800533
Waste Kit	P1800542

950 x 508 x 160mm



Product	Code Number
2 Tap Holes LHD	P1800522
Waste Kit	P1800542

950 x 508 x 160mm



Product	Code Number
Rev. Tap Hole Waste Kit Included	P1800524

Product	Code Number
38mm Flexible Plumbing Kit	P1840077

For our range of kitchen taps please see page 197 - 207

Single Ovens - with side hung doors



Single Oven Stainless Steel	
Right Handed	P1800018
Left Handed	P1800019



Single Oven White	
Right Handed	P1800016
Left Handed	P1800001



Single Oven Stainless Steel	
Right Handed	P1800017
Left Handed	P1800003

Extractor Hoods



Chimney Hood 600mm	
Stainless Steel	P1800202



Standard Hood 600mm	
Silver	P1800203

Ambient Response Humidity Sensor

The latest self programming electronic On/Off wall mounted humidity sensor which reacts to any rapid increase in humidity and temperature by switching an extractor 'On' for rapid removal of moisture laden air, in domestic kitchens

P1800025

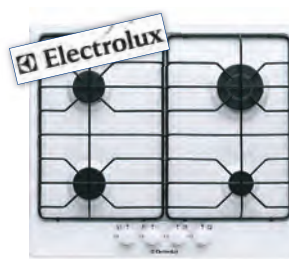
Appliances



Compact Dryer	
White	P1800051



Compact Washer	
White	P1800050



Gas Hob	
White	P1800010
Stainless Steel	P1800100



Electric Hob	
White	P1800102
Stainless Steel	P1800103



Compact Fridge	
White	P1800054



Compact Freezer	
White	P1800057



Ceramic Hob	
Glass S/S	P1800022



Induction Hob	
Glass	P1800201



Fridge/Freezer 50:50	
White	P1800041



Double Dishdrawer	
Stainless Steel	P1800091



Single Dishdrawer	
Stainless Steel	P1800090



Compact Dishwasher	
Silver	P1800052



Wall & Floor solutions

N&C Tiles

Ikon Wet Room Safety Vinyl Sheet	372 - 373
Ikon Co-ordinating Vinyl Floor Tiles	372 - 373
Ikon Plain Colour Tile Range	374 - 376
Bevel Gloss Wall Tiles	377
White Wall Tiles	377
Option Wall and Floor Tiles	378
Marmo Wall Tiles	378
Civic Wall and Floor Tiles	379
Classic Wall Tiles	379
Spell Wall and Floor Tiles	380
Forest Wall and Floor Tiles	380
Reveal Wall and Floor Tiles	381
Natura Wall and Floor Tiles	381
Affinity Wall and Floor Tiles	382 - 383
Listellos and Borders	383



Vinyl Flooring

Tile and Sheet Range

Vinyl Flooring is a multi-purpose, durable, semi flexible floor covering that provides a slip resistant surface. Vinyl Flooring is an excellent choice for care homes, hospitals, schools, offices and shops.

Our N&C Ikon Vinyl Tiles and N&C Ikon Sheet offers an excellent wear rating and a multitude of colour options, making it a versatile option for safety flooring.



- 16 popular colours, including 10 marble options
- Suited to domestic housing and general refurbishment
- Co-ordinates with the Ikon Plain Colour Tiles Collection
- Hygienic flooring option
- Nationwide stock, immediate availability
- Light reflective values (LRV) values provided

Ikon Vinyl Floor Tiles 300 x 300mm

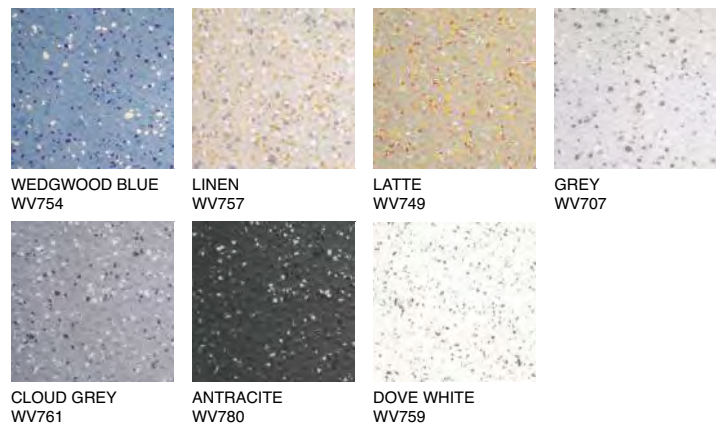
The range consists of 16 popular colours, 10 marble and 6 minimal design. N&C Ikon Vinyl Tiles are particularly suited for use in domestic housing and general refurbishment. The N&C Ikon Vinyl Floor Tiles have been designed to co-ordinate perfectly with the N&C Ikon Plain Colour Range of ceramic wall tiles.



Vinyl Tiles			Wear resistance		EN 660.2	≤15mm ²
Total thickness	EN 428	2mm	Wear group	EN 649		group F
Weight	EN 430	3680 g/m ²	Dimensional stability	EN 434		≤0.25%
Tile size	EN 427	300 x 300 mm	Residual indentation	EN 433		0.03 mm
Tiles per pack	-	50	Thermal conductivity	EN 20 105-B02		≈ 0.25
Norm / product specification	-	EN 649	Colour fastness	EN 20 105-B02		≥60
European classification	EN 685	34 - 42	Chemical product resistance	EN 423		OK
Fire rating	EN 13501-1	Bfl-s1	Fungistatic & bacteriostatic treatment	-		OK
Static electrical propensity	EN 1815	<2 Kv				

Ikon Wetroom Safety Vinyl Sheet

N&C Ikon Wetroom Safety Vinyl Sheet is a high performance slip resistant safety flooring for wet and dry areas for both barefoot and shod users. This enhanced slip resistant, safety vinyl floor covering has a raised emboss design for applications where there are continuous wet areas, achieving a slip resistance PTV of 36+.



Weld Rods are 4mm thickness & 100 lm coils available in full rolls only.

Safety Vinyl Sheet				Slip resistance: ramp test			
Thickness	EN 428	mm	2.0	EN 1345 (annex C)	Class	ESf-ESb	
Wear layer thickness	EN 429	mm	1.00	EN 660.2	mm3	≤ 4.0	
Weight	EN 430	g/m ²	2400	EN 651		p	
Width of sheet	EN 426	cm	200	ISO 10582	type	I	
Length of sheet	EN 426	im	20	EN 434	%	≤ 0.40	
Norm / Product specification			EN 649	EN 433	mm	≤ 0.10	
European classification	EN 685	Class	34 - 43	EN 425		OK	
Fire rating	EN 13501-1	Class	Cfl-s1	EN 12 524	W/(m.K)	0.25	
Static electrical propensity	EN 1815	kV	< 2	EN 20 105-B02	degree	≥ 6	
Slip resistance wet: shod	DIN 51 130	Class	R11	EN 423		OK	
Slip resistance wet: barefoot	DIN 51 097	Class	C	ISO 22196		99% inhibits	
Slip resistance: pendulum #55	BS 7976-2	PTV	≥ 36	(E.coli - S.aureus - MRSA) [1]			
Surface roughness	Rtm/Rz	µm	≥ 20	ISO 16000-6	µg/m ³	<100	



Wall and Floor Tile Ranges

Designing for an ageing population and making considerations for people with conditions such as dementia and the partially sighted means that they can potentially maintain their independence in their homes for longer. It also means that care homes can feel at ease and able to navigate within their surroundings. There are also around 2 million people in the UK that have vision impairment. It is therefore essential to design and maintain people's homes & commercial environments to address this.

The characteristics of ceramic and porcelain tiles makes them an easy to maintain, hygienic wall covering option. We offer a wide collection of wall and floor tiles for care homes, local authorities, housing associations and the residential and commercial sector. We offer over 150 inspirational wall and floor tiles ranges to suit different tastes, trends and finishes.



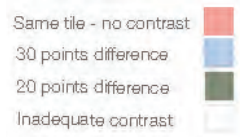
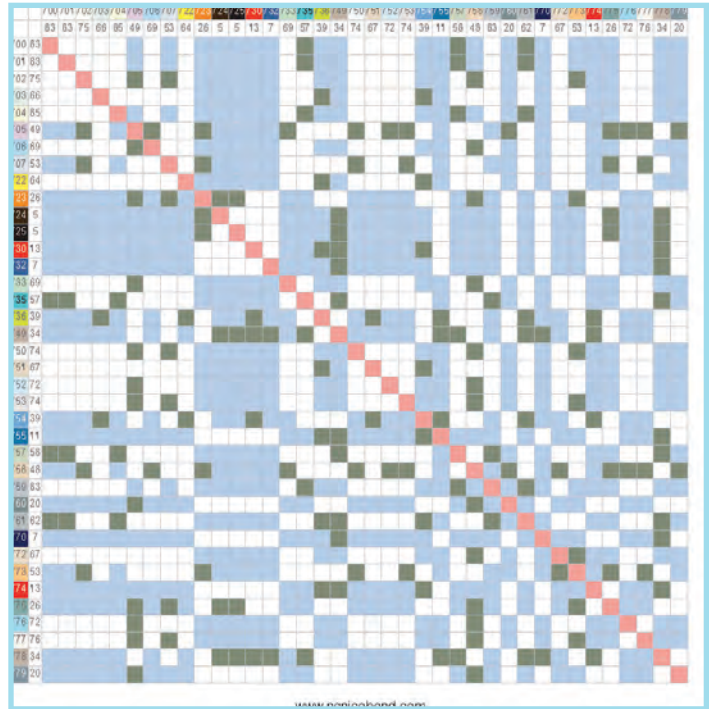
- Over 150 on trend designs from budget to high end options
- Light reflective values (LRV) values provided
- Hygienic wall and flooring covering
- Design considerations for different available
- Nationwide stock, immediate availability

Understanding Light Reflective Values

A colour's Light Reflectance Value (LRV) measures the amount of visible and usable light that reflects from (or absorbs into) a surface. In other words, LRV measures the percentage of light a surface color reflects. We provide Light Reflective Values for our N&C Ikon Plain Colour collection to help you determine the best suited tiles in order to achieve the required contrast.

Ceramic wall and floor tiles with skirting tiles must match the walls in order to meet the recommendations of BS8300 which states 'Whilst there is considerable confidence in recommending a difference in LRV (Light reflective value) of 30 points or more (the good zone) there is also some evidence to suggest that a difference of around 20 points might still be acceptable, provided the illuminance on the surfaces is 200 lux or more.

To avoid giving the wrong impression about the size of a room, skirtings should have the same LRV as the wall so that the junction between the skirting and the floor marks the extent of the room'. A test method for measuring the LRV of flat surfaces with opaque materials, including those coated with non-opaque coatings, or coverings and multi-coloured surfaces, is described in BS 8493.



Ikon Plain Colour Wall Tile Range

Our N&C Ikon plain colour collection is the longest established plain colour tile collection in the UK. With over 40 colours, 5 popular sizes, multiple finishes and high stain resistance, we offer an unrivalled solution for residential and commercial projects nationwide.

TC700 White Gloss TC701 White Matt LRV 83 (1)	TC722 Bright Yellow Gloss LRV 64 (4)	TC736 Lime Green Gloss LRV 39 (4)	TC733 Peppermint Green Gloss LRV69 (3)	TC704 Yellow Gloss LRV 85 (3)	TC750 Mint Gloss LRV 74 (2)	TC775 Green Matt LRV 26 (4)
TC724 Cocoa Brown Gloss LRV 5 (4)	TC730 Red Gloss LRV 13 (4)	TC774 Crimson Matt LRV 13 (4)	TC705 Pink Gloss LRV 49 (3)	TC753 Blossom Gloss LRV 74 (2)	TC759 Rice Gloss LRV 83 (2)	
TC725 Black Gloss LRV 5 (4)	TC779 Dark Grey Matt LRV 20 (4)	TC760 Dark Grey Gloss LRV 20 (3)	TC707 Grey Gloss LRV 53 (2)	TC751 Cream Gloss LRV 67 (2)	TC757 Linen Gloss LRV 58 (2)	
TC761 Cloud Grey Gloss LRV 62 (3)	TC777 Grey Matt LRV 76 (3)	TC703 Champagne Gloss LRV 66 (3)	TC748 Cappuccino Gloss LRV 15 (3)	TC749 Latte Gloss LRV 34 (3)	TC778 Truffle Matt LRV 34 (4)	
TC732 Cobalt Blue Gloss LRV 7 (4)	TC755 Delft Blue Gloss LRV 11 (3)	TC754 Wedgwood Blue Gloss LRV 39 (3)	TC735 Aqua Gloss LRV 57 (3)	TC776 Blue Matt LRV 72 (3)	TC706 Blue Gloss LRV 69 (3)	TC752 China Blue Gloss LRV 72 (2)
TC770 Cobalt Blue Matt LRV 7 (4)	TC723 Orange Gloss LRV 26 (4)	TC773 Maple Matt LRV 53 (4)	TC758 Coffee Gloss LRV 48 (3)	TC780 Antracite Gloss LRV 6 (4)	TC772 Cream Matt LRV 67 (3)	TC702 Ivory Gloss LRV 75 (2)
TCS560 Black Speckle	TCS570 Grey Gloss Speckles LRV 74 (3)	TCS630 Raspberry Gloss Speckles LRV51 (3)	TCS600 Beige Gloss Speckles LRV 54 (3)	TCS590 Cream Speckle		

Ikon Plain Colour Wall Tile Range - Technical Data

Before fixing, please ensure that the tiles purchased are of the same batch as no responsibility can be accepted after the tiles have been fixed. We recommend that all ceramics should be fixed using Nicobond adhesives, grouts and accessories. Nicobond recommend that all ceramic tiles are installed according to the Nicobond 'Tiling Solutions' Guide and in accordance with BS5385.

300x150	200 x 200	200 x 100	150 x 150	100 x 100	Code
✓	✓	✓	✓	✓	TC700
*	✓	✓	✓	✓	TC701
*	✓	*	✓	*	TC707
*	*	*	✓	*	TC759
*	*	*	✓	*	TC752
✓	✓	*	✓	*	TC751
*	*	*	✓	*	TC757
*	*	*	✓	*	TC702
*	*	*	✓	*	TC750
*	*	*	✓	*	TC753
*	*	*	✓	*	TC754
*	*	*	✓	*	TC706
*	*	*	✓	*	TC755
*	*	*	✓	*	TC735
*	*	*	✓	*	TC760
*	*	*	✓	*	TC705
*	*	*	✓	*	TC749
✓	*	*	✓	*	TC761
*	*	*	✓	*	TC703
*	*	*	✓	*	TC758
*	*	*	✓	*	TC748
*	*	*	✓	*	TC733
*	*	*	✓	*	TC704
*	*	●	✓	●	TC777
*	*	*	✓	*	TC772
*	*	●	✓	●	TC776
*	*	*	✓	*	TCS630
*	*	*	✓	*	TCS570
*	*	*	✓	*	TCS610
*	*	*	✓	*	TCS600
✓	*	*	✓	*	TC725
*	*	*	✓	*	TC732
*	*	●	✓	●	TC723
*	*	●	✓	●	TC722
*	*	●	✓	●	TC736
*	*	●	✓	●	TC724
*	*	*	✓	*	TC730
*	*	*	✓	*	TC779
*	*	*	✓	*	TC770
*	*	*	✓	*	TC778
*	*	*	✓	*	TC773
*	*	●	✓	●	TC775
*	*	●	✓	●	TC774
✓	*	●	●	●	TC780

- ✓ Stock Items
- Available to order - 500 m² minimum order
- * Available to order - 1000 m² minimum order



Ikon Plain Colour Tiles	BS EN14411 (2012)	N&C Results
Surface quality (% defect free)	95%	Conforms
Water absorption (weight %) med; max	>10%; <20%	18%; 20%
Breaking strength (N) minimum:	200N/mm ² min	500N/mm ²
Modulus of rupture (N/mm ²)	12N/mm ² min	22N/mm ²
Linear thermal expansion coefficient	(K-1) applicable	8.3-8.5x10-6 K-1
Thermal shock resistance	Applicable	Conforms
Tensile strength	Required	Conforms
Expansion to humidity (mm/m)	<0.6mm/m	Conforms
Stain resistance	Min class 3	Min class 5
Chemical Resistance:		
(Low acid & base concentrations)	Applicable	Min GLB
(Household/swimming pool chemicals)	Min GB	GA
Weight per m ²	-	9.33 kg/m ²

Technical Data Norms	BS EN14411 (2012)	N&C RESULT
Length/width	+/- 0.50%	+/- 0.25%
Warpage from centre	+/- 0.30%	+/- 0.15%
Thickness	+/- 10.0%	+/-10.0%
Rectangularity	+/- 0.30%	+/- 0.15%
Straightness of sides	+/- 0.50%	+/- 0.25%
Curvature edge max	+/- 0.50%	+/- 0.25%
Min	+/- 0.30%	+/- 0.15%
Central max	+/- 0.50%	+/- 0.25%
Min	+/- 0.30%	+/- 0.15%
Diagonal	+/- 0.50%	+/- 0.25%

Bevel - gloss wall tiles

A popular choice in the residential market, these eye-catching, vibrant bevel edge ceramic wall tiles are suitable for use in the bathroom, kitchen or throughout the home for the ultimate in city chic



Black Red Light Grey



Classic Cream Dark Grey Plum



White Sage Bone Cream



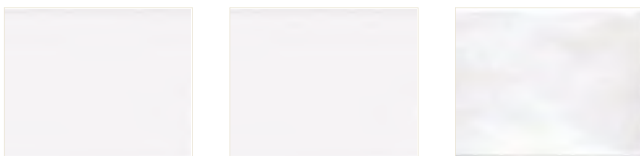
Lime Almond Coffee



Colour	200 x 100mm	150 x 75mm
Plum	NB1755	N/A
Black	NB1748	NB19717
Classic Cream	NB1746	NB19716
Light Grey	NB1744	N/A
Lime	NB1743	N/A
Red	NB1749	NB19718
Sage	NB1750	NB19719
White	NB1747	NB19715
Dark Grey	NB1737	N/A
Bone Cream	NB1734	N/A
Almond	NB1735	N/A
Coffee	NB1736	N/A

White - wall tiles

Our basic white tiles are the perfect essentials for everyday tiling available in gloss, matt and bumpy tiles.



Gloss White Matt White Bumpy White



Colour	Size	Code Number
Gloss White	150 x 150	
Matt White	150 x 150	
Bumpy White	150 x 150	

Colour	Size	Code Number
Gloss White	200 x 200	NB8686
Matt White	200 x 200	NB8687
Bumpy White	200 x 200	NB8685

Colour	Size	Code Number
Gloss White	200 x 250	NB8692
Matt White	200 x 250	NB8694
Bumpy White	200 x 250	NB8690

Colour	Size	Code Number
Gloss White	200 x 300	NB4710
Matt White	200 x 300	NB4712
Bumpy White	200 x 300	NB4714

Colour	Size	Code Number
Gloss White	250 x 400	NB1783
Matt White	250 x 400	NB1784
Bumpy White	250 x 400	NB1787

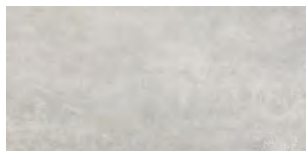
Option - wall and floor tiles

Option is a soft, cement design in a satin finish, 2 colours, Grey and Beige covering both cool and warm requirements.

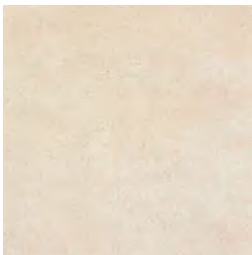
3 floor tiles complement the range making Option a versatile, all-round range.



Beige



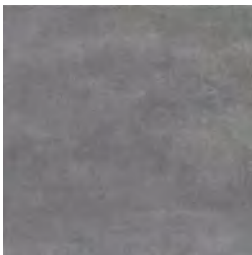
Grey



Beige



Grey



Graphite



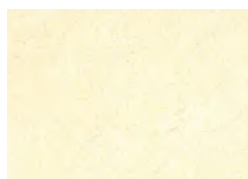
Colour	Size	Code Number
Wall Tile Beige	310 x 610	NB1720
Wall Tile Grey	310 x 610	NB1721
Floor Tile Beige	450 x 450	NB17242
Floor Tile Grey	450 x 450	NB17243
Floor Tile Graphite	450 x 450	NB17244

Marmo - wall tiles - gloss & satin

Stunning reproductions of classic marbles and stones are available in Marmo. Available in three gloss and two satin options.



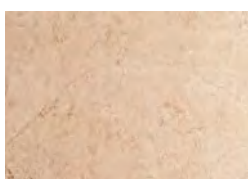
Gloss Blanco



Gloss Crema



Gloss Moka



Satin Stone Gold



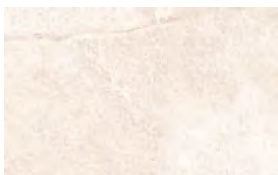
Satin Stone Bone



Colour	Size	Code Number
Gloss Blanco	250 x 350	NB1550
Gloss Crema	250 x 350	NB1552
Gloss Moka	250 x 350	NB1556
Satin Stone Bone	250 x 350	NB1565
Satin Stone Gold	250 x 350	NB1567

Civic - wall and floor tiles

Replicate the natural beauty of stone with Civic, a varied natural stone tile look with a modern interpretation. Perfect for use around the home or in a commercial environment for a neutral setting.



Beige



Gris



Mosaic Beige



Mosaic Gris



Beige - Floor



Gris - Floor



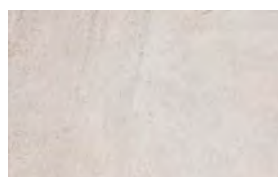
Colour	Size	Code Number
Wall Tile Beige	250 x 350	NB17932
Wall Tile Gris	250 x 350	NB17933

Colour	Size	Code Number
Wall Tile Mosaic Beige	250 x 350	NB17934
Wall Tile Mosaic Gris	250 x 350	NB17935

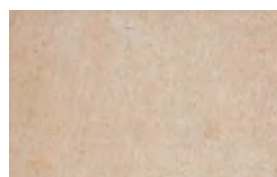
Colour	Size	Code Number
Floor Tile Beige	330 x 330	NB17936
Floor Tile Gris	330 x 330	NB17937

Classic - wall tiles

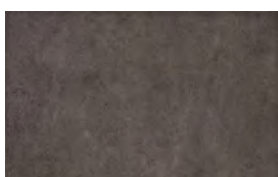
Create a traditional look that is comfortable on the eye with our Classic tile range. Make use of our mosaic and listellos to transform the colours into a highly desirable look.



Alabaster Stone



Cream Stone



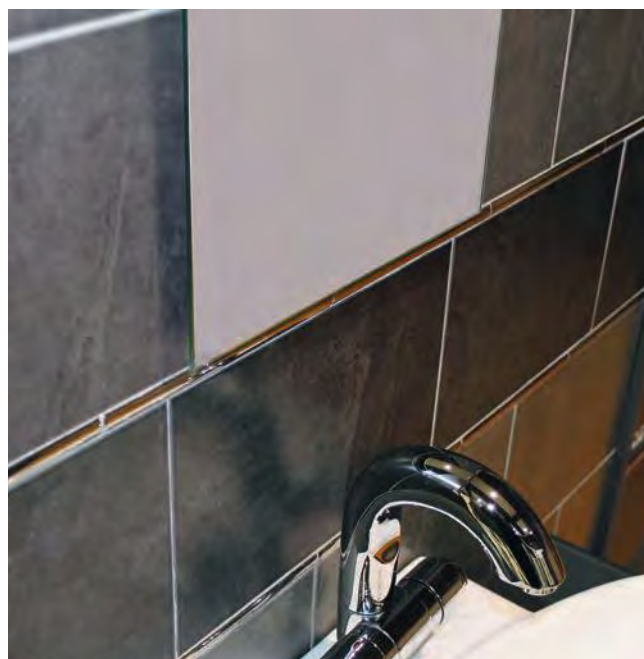
Anthracite



White Marble



Cream Marble



Colour	Size	Code Number
Wall Tile Alabaster Stone	200 x 300	NB18590
Wall Tile Cream Stone	200 x 300	NB18591
Wall Tile Anthracite	200 x 300	NB18592
Wall Tile White Marble	200 x 300	NB18593
Wall Tile Cream Marble	200 x 300	NB18594

Spell - wall and floor tiles

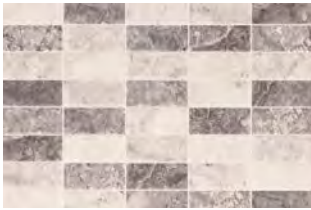
An attractive, matching gloss wall and floor, marble effect tile range in two natural colours. Add a striking feature wall with the mix mosaic decor.



Light Grey



Dark Grey



Grey Mix Decor



Dark Grey - Floor



Colour	Size	Code Number
Wall Tile Light Grey	310 x 450	NB18940
Wall Tile Dark Grey	310 x 450	NB18941
Wall Tile Grey Mix Decor	310 x 450	NB18942
Floor Tile Dark Grey	450 x 450	NB18943

Forest - wall and floor tiles

Forest takes the emerging wood effect tile trend to a new level with this beautiful linear format ceramic tile available in five timber effects that detail the natural complexity of real wood.



Light Beech



Pale Oak



Light Walnut



Silver Grey



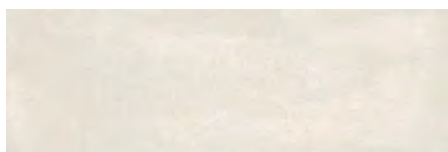
Black Ash



Colour	Size	Code Number
Light Beech	175 x 500	NB19370
Pale Oak	175 x 500	NB19371
Light Walnut	175 x 500	NB19372
Silver Grey	175 x 500	NB19373
Black Ash	175 x 500	NB19374

Reveal - wall tiles

A stunning cement effect ceramic tiles available in a plain and decor design. A perfect addition to any room in the home.



Silver Grey



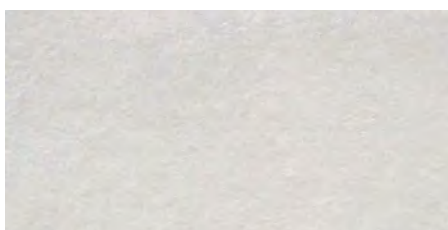
Silver Grey Multi Decor

Colour	Size	Code Number
Wall Tile Silver Grey	200 x 600	NB17266
Wall Tile Silver Grey	200 x 600	NB17267

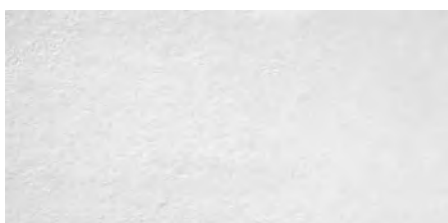


Natura - wall tiles

A beautiful tile range that includes a plain and delicately structured tile in an on-trend grey for the creation of the perfect interior space.



Grey



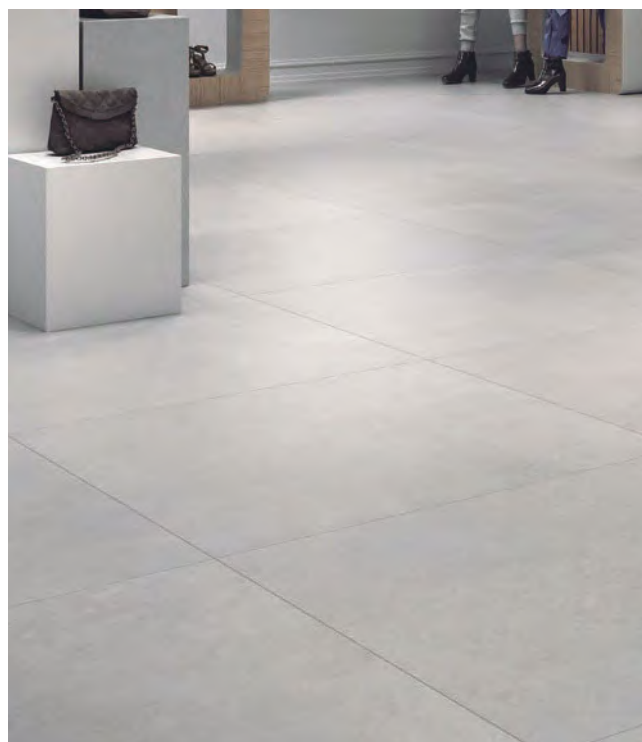
White



White Decor



Grey Decor



Colour	Size	Code Number
Wall Tile White	333 x 630	NB17270
Wall Tile Grey	333 x 630	NB17272

Colour	Size	Code Number
Wall Tile White Decor	333 x 630	NB17271
Wall Tile Grey Decor	333 x 630	NB17273

Affinity - wall and floor tiles

Re-invigorate your living spaces with Affinity, a versatile collection of tiles that work perfectly together to create a harmonious, neutral setting. Available in brushed, brushed scored, brushed mosaic and plain alternatives, with a matching floor tile, Affinity is the easy choice across industries.

With a luxurious satin finish, Affinity can be fused together to create a bespoke designer look.



Black Plain

Warm White Plain

Jasmine Plain

Cappuccino Plain

Coffee Plain



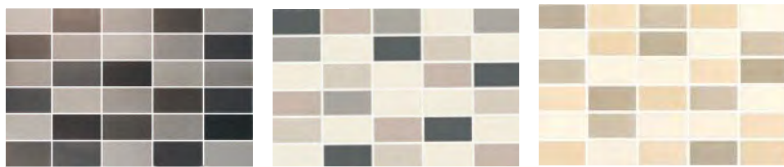
Black Plain Mosaic

Warm White Plain Mosaic

Jasmine Plain Mosaic

Cappuccino Plain Mosaic

Coffee Plain Mosaic



Dark Black Mixed Mosaic

Light Black Mixed Mosaic

Coffee Mixed Mosaic



Black Brushed

Silver Grey Brushed

Jasmine Brushed

Cappuccino Brushed

Coffee Brushed



Black Brushed Scored

Silver Grey Brushed Scored

Jasmine Brushed Scored

Cappuccino Brushed Scored

Coffee Brushed Scored



Black Brushed Mosaic

Silver Grey Brushed Mosaic

Jasmine Brushed Mosaic

Cappuccino Brushed Mosaic

Coffee Brushed Mosaic



Black Brushed

Silver Grey Brushed

Jasmine Brushed

Cappuccino Brushed

Coffee Brushed



Plain Colour	Size	Code Number
Black	270 x 420	NB1880
Warm White	270 x 420	NB1860
Jasmine	270 x 420	NB1800
Cappuccino	270 x 420	NB1820
Coffee	270 x 420	NB1840

Plain Colour	Size	Code Number
Black Mosaic	270 x 420	NB1881
Warm White Mosaic	270 x 420	NB1861
Jasmine Mosaic	270 x 420	NB1801
Cappuccino Mosaic	270 x 420	NB1821
Coffee Mosaic	270 x 420	NB1841

Plain Colour	Size	Code Number
Dark Black Mixed Mosaic	333 x 333	NB1887
Light Black Mixed Mosaic	333 x 333	NB1886
Coffee Mixed Mosaic	333 x 333	NB1846

Brushed Colour	Size	Code Number
Black	270 x 420	NB1882
Silver Grey	270 x 420	NB1862
Jasmine	270 x 420	NB1802
Cappuccino	270 x 420	NB1822
Coffee	270 x 420	NB1842

Brushed Colour	Size	Code Number
Black Scored	270 x 420	NB1883
Silver Grey Scored	270 x 420	NB1863
Jasmine Scored	270 x 420	NB1803
Cappuccino Scored	270 x 420	NB1823
Coffee Scored	270 x 420	NB1843

Brushed Colour	Size	Code Number
Black Mosaic	270 x 420	NB1884
Silver Grey Mosaic	270 x 420	NB1864
Jasmine Mosaic	270 x 420	NB1804
Cappuccino Mosaic	270 x 420	NB1824
Coffee Mosaic	270 x 420	NB1844

Brushed Colour	Size	Code Number
Black Floor	333 x 333	NB1885
Silver Grey Floor	333 x 333	NB1865
Jasmine Floor	333 x 333	NB1805
Cappuccino Floor	333 x 333	NB1825
Coffee Floor	333 x 333	NB1845

Listellos and Borders

Add a splash of colour to your interiors with our range of beautiful listello and border options, perfect for creating a decorative visual break on all wall surfaces.

De Vision 5 x 25cm



Blue Mix NB19480



Coffee Mix NB19482



Black Mix NB19481



Damson Mix NB19483

Amersham 5 x 25cm



Nero NB2700



Botticino NB2702

Marlow 2.5 x 25cm



Rosso NB2663

Hendon 4.8 x 30cm



Cream & Bronze Mix NB1110



Cream & Gold Mix NB1109

Clarity 4.8 x 30cm



Black/Silver NB1242

Arundel Noce 4.8 x 30.5cm



Classico NB2652

Honiton Noce 4 x 28cm



Classico NB2659



making a house a home with our selection of finishing touches

Index

A			
ABS Handrail	313	Blue Toilet Seats	183
Access Panels	340	Body Dryer	336
Access ramps	303-307	Bracket	195, 227
Access Solutions	390-307	Braille Signs	300-302
Adapted Kitchens	348-369	Breeze Fan	339
Adjustable Grabrails	215-216	Bristan Care	83
Adjustable Kitchens	348-369	Broadgate Basin	189
Adjustable Nursing Bench	233-235	Broadgate Toilet	174, 177
Adjustable Wash Basins	213-214, 226, 230	BSS	177, 191
Advance Flex Shower	82	Bulkhead Light	337
Advance Toilet Seats	183	C	
Affinity Wall and Floor Tiles	382-383	Calm Shower Seat	105
Air Star Fan	339	CalMag	335
AirBody Dryer	336	Cambridge Plus Powered bath	161
Alarm	255	Care Completion	221-224
Ambulant M Pack	270-271	Care Elements	230-235
Angle Grabrail	311-312, 317, 319, 321, 323	Care Systems Plus	212-220
Anti Ligature	343-345	Carer Screen	330
Anti Slip Coating	54-55	Carlisle Powered Bath	164
Anti-ligature furniture	343-345	Ceramic Hob	369
Appliances	369	Changing Bench	233-235, 274-275, 332-333
Aqua-Floor	22-25	Changing Places	274-275
Aqua-Magic	152-153	Changing Places Signs	275, 299
Aquaclean	179-181	Changing Room M Pack	272-273
Arundel	354-355	Cheltenham Powered Bath	162-163
Assist Handrail	324-325	Chrome Rail	108, 314-317
Astral Grab Rail	318-319	Cistern	171-178
Astro Two Shower Door	129-131	Civic Wall and Floor Tiles	379
Audio Visual Alarm	255	Classic M Pack	256-259
Automatic Hand Dryer	255, 327-328	Classic Shower Seat	101, 104
Automatic Tap	205-206	Classic Wall Tiles	379
Automatic Toilet Entry System	285	Cloakroom Basin	186-195
B		Close Coupled W.C	171-174, 180
Baby Minders	333	Coat Hook	255
Back To Wall WC	175-176	Colani Toilet Seat	221
Backrest	232,239,316,318,320	Combined Shower Kit	88
Balance Tap	201	Comfort Shower Seat	101-103
Ball Bearing Hinge	293	Compact Shower Seat	102
Bariatric Shower Seat	104	Compensator W.C Box	178
Basin Bracket	195, 227	Concealed Cisterns	178, 181
Basin Taps	197-206	Cool Touch	204
Basin Wastes	336	Corner Wash Basin	189-190, 193
Basins	186-195, 225-226,237	Corporate M Pack	266-267
Bath Boards	168	Creative	132-133
Bath Taps	197-204	Cube Taps	200
Bath Wastes	336	Curtains	109, 215
Bathing Cushion	168	Cut Down Shower Tray	31, 35, 39,
BathMaster	168	D	
Baths	156-167	Daily Living Aids	309-337
Beaumonde Basin	189	Dania Seat	221
Bevel Wall Tiles	377	Dispenser	255, 328-329
Bi-Fold Shower Doors	58-62, 65-69, 74-75,135, 140-144	Doc M Solutions	250-279
Big John Toilet Seat	183	Door Closer	293
Bio-Bidet	181	Door Furniture	293-297, 343

Door Handle	343	Grab Rails	237, 311-323
Door Stop	297	Grates	91, 93, 146-149
Door Threshold	297	Gravity Wastes	42, 90-95, 114, 146-149
Dryer	255, 327-328	H	
Dual Folding Shower Seat	103	Half Height Shower Doors	56-77, 146
Duo Click Tap	200	Half Step	306-307
Duofix Frame Cistern	178, 181	Hand Dryer	255, 327-328
E		Handrails	324-325
Easy Fit Frame	169	Hartland	352-353
Easy Fit Shower Tray	36-39	Hasp and Staple	287
Eclipse Basin	188-194	Height Adj Basin Assembly	213-214, 226, 230,241
Eclipse WC	168, 174, 176	Height Adjustable Kitchen	364-367
Eco Rub Shower Kit	87	Height Adjustable Support Arm	215-216, 231, 323
Eco Tub	157	Hewi	236-239
Economy Grab Rail	322-323	Hi-Lo baths	166-167
Economy M Pack	264-265	Hi-Lo tables	242-247
Electric Showers	81-83	Hinge	293
Electric Wash Basin Brackets	213-214, 226	Hob	369
Electric Window Control System	290	Hook	255
Embrace Basin	188-195	Horizontal Adjustable Tracks	212
Embrace WC	173, 176, 177	Horse Shoe Shower Seat	102
Emergency Release Door Stop	297, 344	Hush Fan	339
Enhance	126-129	I	
Ergosit Toilet Seat	221	Ikon Plain Colour Tiles	374-376
Escutheons	294	Ikon Safety Flooring	93, 372-373
Essence Shower Kit	87	Ikon Vinyl Floor Tiles	372-373
Euro Profile Lock	296	In-line Mixing Valves	203
Evolve shower seat	102	Inclusive M Pack	278-279
Excel Radatherm Range	202	Indicator Bolt	294, 297
Extractor Fans	339-341, 369	Indivo	364-366
Extractor Hood	369	Induction Hob	369
F		Infant Seats	333
Facility Indicator Bolt	297	Inset Basins	195
Finesse Two	122-125	Instant Match Pump (digital)	98-99
Finger Plates	294	J	
Fixed Panels	71	Jackloc	290
Fixing Bolt (Basin)	195	Joy Shower	83
Flexible Shower Curtain Track	108-109	K	
Floor Former	16-25, 112-120	Key (RADAR)	286
Floor Line Shower Tray	48-51	Kitchens	348-369
Floor to Ceiling Pole	317, 319, 321	Knee Operated Taps	207
Floor to Wall Rail	317, 319, 321	L	
Flow Switch	97	Lever Handle on Rose	294, 296
Fluidity	136-139	Lever Taps	197, 199-203, 206
Flush Fit Shower Tray	44-47	Light	337
Fluted Grab Rail	313	Linear Drains	147-148
Folding Rail	215-216, 230-231, 237-238, 241 311-312, 314-315, 317, 321, 323	Linear Shower Deck	20, 118
Folding Seats	101-105, 217-218, 232	Listellos and Borders	383
Forest Wall and Floor Tiles	380	Lockset (RADAR)	282-285
Free Standing Shower Chair	103	Long Lever Tap	207
Free Standing Support Arm	231, 323	Low Level W.C.	176-177
Freespace Two	140-144	Low Surface Temperature Radiators	337
Fridge / Freezer	369	LowLine Bath	158
G		LRV	375
Geberit	179-181	Lucia Shower Seat	104
Glass Shower Screens	122-144	M	
		Manual Window Control System	291

Marmo Wall Tiles	378	Phlexitherm Simplicity Shower Kits	89
Mat	43	Phlexitherm Taps	202
Matrix	225-227	PhlexiWave Grab Rails	310-312
Maxi 2 Nursing Table	332-333	Plain Colour Tiles	374-376
Mcalpine Gullies	94-95	Plastic Ply	151
Medi 2 Nursing Table	332-333	Plus Pack	260-263
Miniflo	178	Portable Ramps	303-307
Mira Flex shower kit	88	Powder Coated Rails	318-319
Mira Showers	82, 84, 88	Power Assisted Bath	159-163, 166-167
Mirage	178	Premier Infinity Shower Deck	112-115
Mirror	237, 255, 331	Premier Shower Deck	16-20, 116-120
Mississippi Swing Basin	241	Presflo	335
Mixer Taps	197-207	Pressalit	210-235
Modern Basin	187-195	Pro-Door	56-77
Modern Toilet	172-173, 175, 177	Proteus Grab Rail	314
Modular Shelving	220	Pull Handles	295
Mortice Lock	296	Pum waste	336
MPacks	250-279	Pump booster	334
		Pump waste	96-99
N		Q	
National Key Scheme	282-287	Quadro Shower	84-85, 204
Natura Wall and Floor Tiles	381	Quadro Taps	201
Newel Rail	323	Quick-Fit	32-35
Nicobond	363-383	Quinto Ecoflow Taps	199
Nocalc	335		
Nova Grab Rails	316-317	R	
Nova Shower Tray	52-55	Radar Automatic Entry System	285
Nova-Flo	334	Radar Lock	284-285
Nursing Bench	233-235, 332-333	Radar Lockset Vinyl Surround	287
Nylon Coated Door Furniture	294-295	Radar Padlock	287
		Radiators	337
O		Raised Height Toilet	171-177
Olympus Toilet Seat	184	Raised Height Toilet Seat	184, 222
OmicareShower	81	Ramps	303-307
Opac Shower Valve	84	Ramps for shower trays	31, 35
Option Wall and Floor Tiles	378	Redring	81
Ovens	369	Remote Water Switch	334
Overhead cam action door closers	293	Remote Window Control System	282
Overhead Door Closer	293	Removable grab rails	237-238
Overhead electro magnetic door closers	293	Removable Shower Seats	239
		Reveal Wall and Floor Tiles	381
P		Ropox	105, 240-245
Padded Shower Seat	101-105	S	
Padlock	287	S Series	92, 149
Palma Taps	198	Safeflush Toilet Seat	182, 184
Palma Thermostatic Taps	203	Safety Flooring	372-373
Paper Towel Dispenser	255	Safety Rail	233-235
Pedestal Basins	190-194	Salonex Basin	189
Peninsular M Pack	268-269	Scale inhibitor	335
Pentland Toilets	172, 176	Security Fixed W.C	172-173, 176
Phlexi-Mat	43	Select	226, 228-229
Phlexiclamp	324-325	Select Flex Shower	84
Phlexiknife	92	Selectronic	81
Phlexiline Living	147-148	Semi Countertop Basin	195
Phleximax	90-91, 146, 148	Semi Pedestal Basins	192-194
Phleximax S Series	92, 149	Sensor Tap	205-206
Phleximax support leg	92	Sequential Showers	84
Phlexiscreen	202	Shallow Bath	157-158
Phlexitherm Long Lever tap	194		
Phlexitherm Shower	84		

Shallow Sinks	368	Toilet Lock	296
Shampoo Basin	189	Toilet Seats	182-184, 221-222
Shelves	220,255	Toilet Signs	299-301
Shower Curtain & Track	108-109, 224	Toilet Tissue Dispenser	255, 328-329
Shower Deck	16-25, 112-120	Toilets	171-177
Shower Doors	56-77, 128-131, 134-143	Towel Dispenser	328-329
Shower Kit	86-89, 223, 238	Traditional Shower	85
Shower Mat	43	Transform	134-135
Shower Pod	152-153	Trend Shower	86
Shower Pumps	334	Trend Tap Range	199
Shower Seats	100-105, 216-219, 232, 239	Trimeline Shower Tray	42
Shower Toilet	179-181	Triton Showers	81
Shower Tray	26-55	Triton Slide Rail Kit	86
Showers	81-86, 203-204	TrueFlow Tap	205
Siesta Shower Seat	104	TSG1	94
Signage	287, 298-302	TSG2	94
Silhouette Shower Kit	87	Turbo Fan	339
Simplicity Taps	197	U	
Simply Silent Fan	340	Ultimate Toilet Seat	183
Sink Taps	197-207	Universal Shower Tray	26-31
Sink Wastes	336	V	
Sinktops	368	Variable Power Disabled Door Closer	293
Sliding Door Gear	297	Vent Axia Fans	341
Sliding Shower Doors	66, 128-131, 136-139	Ventilator Accessory Kits	339-341
Smoothflow Pump	99	Ventilators	338-341
Soap Dispenser	255, 328-329	Vertical Adjustable Tracks	212
Soft Touch Tap	205	Victorian Tap Range	198
Solo Edge Basin	186	Vision Tables	242-247
Spatulate Lever	178	Voda Grab Rail	315
Spectrum	294-295	Vogue Basins	186-187, 190, 192
Spell Wall and Floor Tiles	380	Vogue WC	171, 175, 177
Spray Mixer Tap	203	Vue Sequential Shower	84
Square Basin	186, 190-192	W	
Stainless Steel Grab Rail	316-317	W.C. Shower M Pack	276-277
Stainless Steel Grates	90, 146-149	W.C. Signs	299-301
Stream Taps	202	W.C. Suites	170-177
Sudbury Walk-In Bath	165	Walk-in Bath	161-165
Support Arms	215-216, 230-231, 237-238, 241, 310-312, 314-323, 345	Wall Hung Basin	186-190
Surestop	334	Wall Hung W.C.	177, 181
T		Wall Mounted Taps	206
Tactile Signs	300-302	Warm Touch	237-238
Tanking System	150-151	Wash Basin Bracket	195, 213-214, 227, 230
Tap Conversion Kit	197	Wash Basins	185-195, 225-226
Taps	196-207	Washing Machine	369
Temporary ramps	304-307	Waste Bin	238, 329
Thermostatic Mixing Valve	203	Wastes	42, 90-95, 146-149, 335-336
Thermostatic Showers	83-86, 203-204	Water Economy Taps	199-200, 204-206
Thermostatic Taps	202, 206	Waterproof Tanking	150-151
Tiled Floor Former	16-20, 112-120	Wet Room	112-149
Tiles	363-383	Whale Shower Pumps	96-99
Timed Flow Taps	204	Whisper Gully	98
Titan Grab Rail	320-321	White Wall Tiles	377
TMV2	84-86, 203	Window Control System	290-291
TMV3	84, 202-203, 206	Window Spanning Kit	56
Toilet Backrest	255, 316, 318, 320	Windsor 2 Bath	159
Toilet Lifter	228-229	Windsor 3 Bath	160
		Worktops	368

Important Notes

We reserve the right to update and change the specification of products within this catalogue without prior notice or consultation.

Products shown in this catalogue are subject to availability.

The colour representation in this catalogue is as accurate as the printing process will allow.

We cannot be held liable for any product description or product coding inaccuracies within this document.

Product colours are designed to co-ordinate with each other rather than match.

Please refer to our current price list for our full terms and conditions.

Please refer to our export department for our export terms and conditions.

N&C Phlexicare Product Warranty Statement

The Phlexicare products listed below are covered by either 5 year or lifetime warranties.

Phlexicare Premier Shower Deck – ‘Lifetime’

Phlexicare Shower Trays – ‘Lifetime’

Phlexicare Pro-doors – ‘Lifetime’

Phlexiflow Pumps* – ‘5 Years +’

Evolve Shower Seat– ‘25 Years’

Confidence in the quality of our products allows us to offer either a ‘lifetime’ or ‘5 year’ warranty on various products. If these products are proven to be defective by reason only of manufacturing workmanship we will, at our discretion, provide replacement product free of charge. Our liability is limited to the cost of replacement only on production of purchase invoice or receipt.

This warranty excludes normal wear and tear in a domestic or residential application. Product Abuse, misuse, improper installation or any other type of damage are excluded from this warranty.

References

*Excludes electrical components

*1 Subject to our standard delivery schedule. Does not include delivery to Ireland.

*2 Subject to the ‘N&C Phlexicare Product Warranty Statement’.



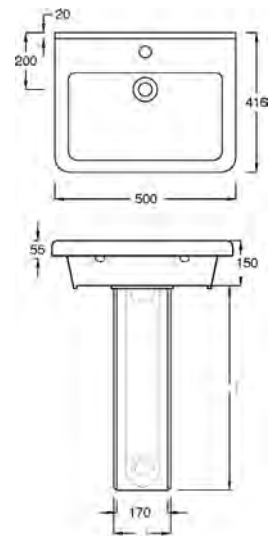
N&C Building Products Ltd. Registration Number:140 Registered in England

Complete Support for Specifiers

We offer a comprehensive specification service for our manufactured products. We work closely with Local Authorities, Housing Associations, Care Home Providers, Architects and Design & Build companies, achieving high quality specifications that add value to a scheme, whilst achieving budgets.

We have been manufacturing for over 100 years and have expertise in the manufacture and specification of Independent Living Solutions, Wet Rooms, Sanitaryware, Commercial Washrooms, Bathing & Showering products, Ceramic, Porcelain & Natural Stone Tiles, Tile Adhesive & Grouting Systems and Screeds. We offer specifiers the opportunity to benefit from a total 'bathroom or washroom' solution from one British Manufacturer.

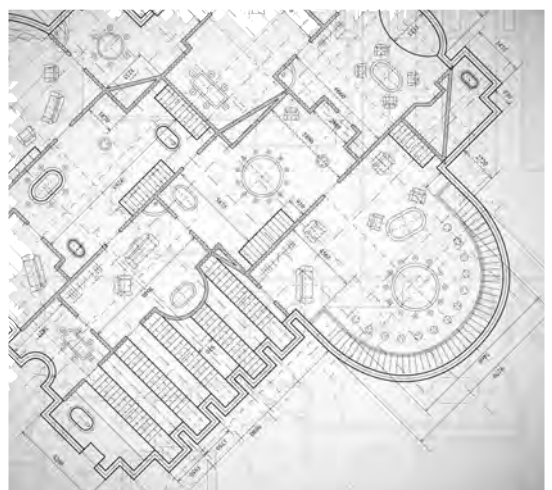
- **Technical Drawings**
- **CAD Blocks (supplied as jpeg, pdf or dwg files)**
- **Light Reflective Values (LRV Values)**
- **3D Bathroom & Kitchen CAD drawings**



Our 50 strong technical sales team cover England, Scotland & Wales, giving us true national coverage. As a team of experts, we are available to visit you at your premises or on site, to aid you in creating a specification that will help your current project stand out from the crowd in offering true accessibility, whilst also coming in under budget.

We are expert in value engineering an existing specification using high quality N&C products that exceed all the relevant BS/EN standards, whilst improving the aesthetics of a project and ensuring that deadlines are met.

Written specifications are available, as are 3D CAD drawings for our specialist bathroom & kitchen adaptation products.

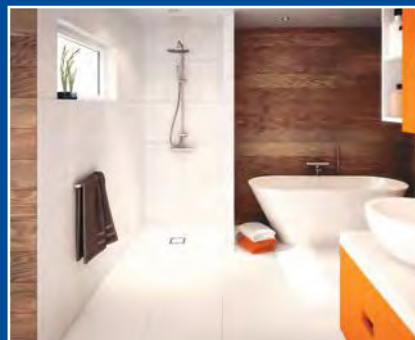




Creating a Home with Independence



Bathroom Solutions



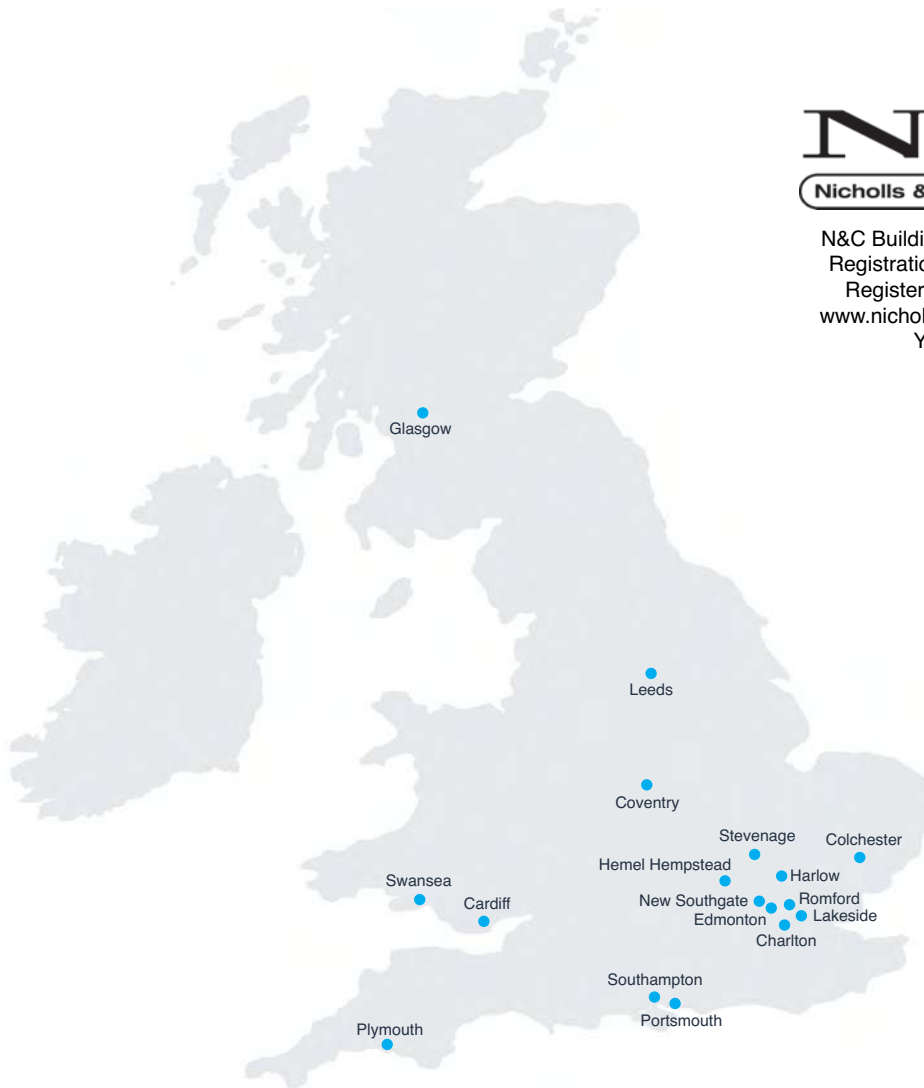
Showering & Wet Room Solutions



Multi-User Kitchen Solutions



Multi-User Bathrooms | Wet Rooms | Sanitaryware | Access Solutions | Daily Living Products
Grab Rails | Healthcare Kitchens | Accessible Showering | Wall & Floor Tiles | Vinyl Flooring



Distribution Centres, Trade Counters & Showrooms

N&C Building Materials
41-51 Freshwater Road
Chadwell Heath
Romford, Essex RM8 1SP
Tel: 020 8586 4600
Fax: 020 8586 4646

Units 3 & 4 Cardiff Trade Park
Hadfield Road
Cardiff CF11 8AQ
Tel: 029 2039 0146
Fax: 029 2022 4356

Unit 4
Waterloo Industrial Estate
Flanders Road, Hedge End
Southampton SO30 2QT
Tel: 01489 779700
Fax: 01489 779701

Unit C1
Cothill Industrial Estate
Plympton, **Plymouth** PL7 1SR
Tel: 01752 339724
Fax: 01752 342746

26 Colquhoun Avenue
Hillington Industrial Estate
Hillington, Scotland
Glasgow G52 4BN
Tel: 0141 880 1200
Fax: 0141 880 1212

Nicholls & Clarke
— Est 1875 —

Trade Counters & Showrooms

Units 1A/B Alexander Place
Lower Park Road
New Southgate
London N111QD
Tel: 020 8361 6050
Fax: 020 8361 4757

Unit 8 Ascent Park
Edinburgh Way
Harlow, Essex CM20 2HW
Tel: 01279 621980
Fax: 01279 621981

Unit 9 - 11
McDonald Business Park
Maylands Avenue
Hemel Hempstead Hertfordshire
HP2 7EB Tel: 01442 234635
Fax: 01442 279501

25 Gunnels Wood Park
Gunnels Wood Road
Stevenage
Hertfordshire SG1 2BH
Tel: 01438 315400
Fax: 01438 740338

Unit 14 Meridian Trading Estate
Bugsby Way
Charlton, London SE7 7SJ
Tel: 020 8269 5960
Fax: 020 8269 5961

Unit1 Cliffside Trade Park
Motherwell Way
Lakeside, West Thurrock
Essex RM20 3XD
Tel: 01708 680180
Fax: 01708 680181

Unit 8D Pompey Centre
Fratton Way Southsea
Portsmouth PO4 8TA
Tel: 02392 894599
Fax: 02392 894598

Unit E5
Copley Hill Trading Estate
Whitehall Road
Leeds LS12 1HE
Tel: 0113 243 5644

Units 10, 11, 14 & 15
Advent Business Park
Advent Way
Edmonton N18 3AL
Tel: 020 8807 3227
Fax: 020 8807 3223

2 - 3 Albarn Close
Wyncolls Road
Severalls Park
Colchester Essex CO4 9HY
Tel: 01206 849300
Fax: 01206 845878

Unit 5 Tower Court
St. David's Road
Swansea Enterprise Park
Swansea SA6 8QL
Tel: 01792 797337
Fax: 01792 774019

Leofric House
Off Phoenix Way
Waterman Road
Coventry CV6 5TP
Tel: 02476 705300
Fax: 02476 705301